

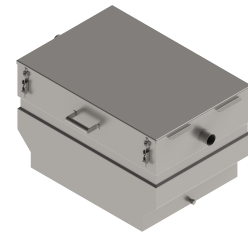
# Clean: Separator grasimi INOX STAINLESS patrat Dout.50, 0.5 l/s garnitura si sistem inchidere CE (SGI05)

## SGI05

**810 mm**  
HOSSZ

**476 mm**  
MAGASSÁG

**610 mm**  
SZÉLESSÉG



### FELHASZNÁLÁS:

The INOX STAINLESS grease separator is used to separate fats and oils of vegetable and animal origin from wastewater;

### MINŐSÉGI FELTÉTELEK:

- According to SR EN 1825-1
- Material: Stainless Steel AISI 316
- Declaration of Performance

### ELŐNYÖK:

- Compact and lightweight product
- Available in 4 sizes
- Easy installation
- Keeps the sewage system clean
- Easy access inside
- Connection via standard fittings

### TERMÉKGARANCIA:

- Warranty 2 years
- Lifetime 20 years - subject to installation, storage and operation instructions

## SZERELÉS

The grease separator can be installed in both private homes and restaurants or canteens. It is mounted according to the manufacturer's instructions.

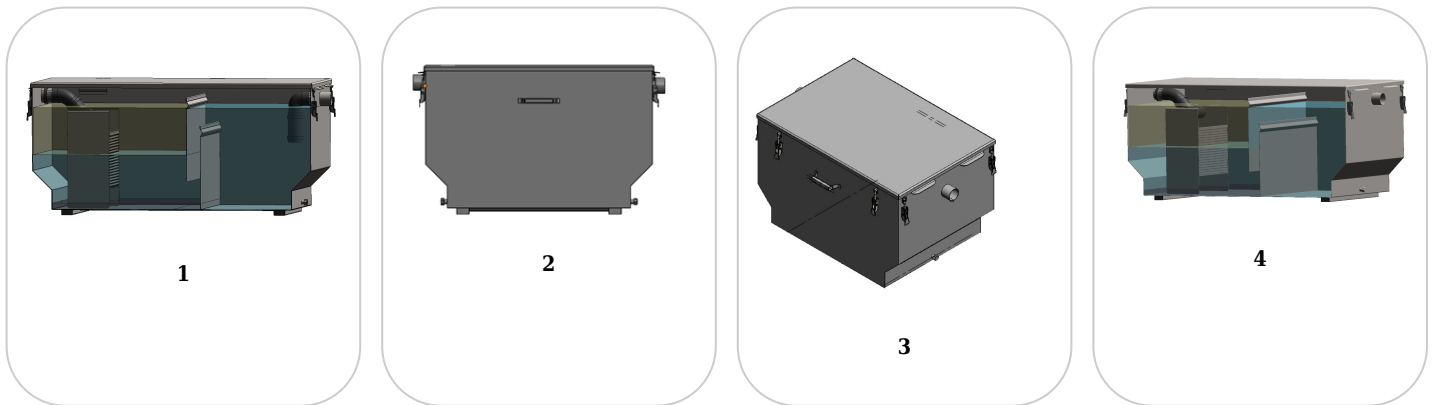
**!** For efficient installation, we recommend using G12M29-C sealant.

It is used for sealing gutters, pipes and drainage systems;

- Curing time: 24h/2-3 mm
- Temperature resistance: -40° C to +70° C
- Processing temperature: +5° C to +40° C



- BASE sealant, construction products, 310 ml tube (G12M29-C)



### Dimensional range

SGI03	Square STAINLESS INOX grease separator Dout.50, 0.3 l/s gasket and closing system CE (SGI03)
SGI05	Square STAINLESS INOX grease separator Dout.50, 0.5 l/s gasket and closing system CE (SGI05)
SGI07	Square STAINLESS INOX grease separator Dout.50, 0.7 l/s gasket and closing system CE (SGI07)
SGI09	Square STAINLESS INOX grease separator Dout.50, 0.9 l/s gasket and closing system CE (SGI09)

## JELLEMZŐK

<b>Termék neve</b>	Separator grasimi INOX STAINLESS patrat Dout.50, 0.5 l/s garnitura si sistem inchidere CE (SGI05)
<b>Termékkód</b>	SGI05
<b>EAN kód</b>	6426282034894
<b>Termékkategória</b>	Separatoare Grasimi Inox
<b>Brand</b>	Clean
<b>Súly</b>	29.29 kg
<b>Készlet elérhetősége</b>	Egyedi gyártású
<b>Hossz, mm</b>	810
<b>Szélesség, mm</b>	610
<b>Magasság (M), mm</b>	475.5
<b>Bemeneti csatlakozó átmérője (DNin) mm</b>	50
<b>Kimeneti csatlakozó átmérője (DNout) mm</b>	50
<b>Termék anyaga</b>	Rozsdamentes acél
<b>Névleges áramlási sebesség (Q, l/s)</b>	0.5
<b>Hasznos térfogat (Vu, liter)</b>	100L
<b>Garancia, hónap</b>	24
<b>Termelő</b>	VODALAND INDUSTRY LLC