

Drain: Sifon INOX STAINLESS 300x300 cu gratar tip grila antialunecare iesire verticala DN150 L15 300x300x344 (0523.15.11.3AS)

0523.15.11.3AS

300 mm
HOSSZ

344 mm
MAGASSÁG

300 mm
SZÉLESSÉG



FELHASZNÁLÁS:

The stainless steel drain trap is a useful, pragmatic and modern solution and is used to evacuate wastewater and direct it to underground sewer columns.

MINŐSÉGI FELTÉTELEK:

- According to SR EN 1253-1:2015

ELŐNYÖK:

- Easy access for inspection and cleaning
- Easy to clean and disinfect
- Corrosion resistance
- Thermal resistance to detergents and disinfectants
- Use in the food industry
- Long service life

ÉLETTARTAM:

- 20 years - subject to compliance with assembly, storage and operation instructions.

SZERELÉS

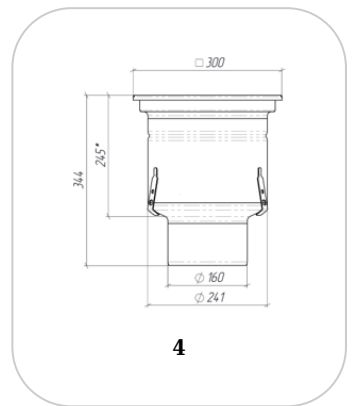
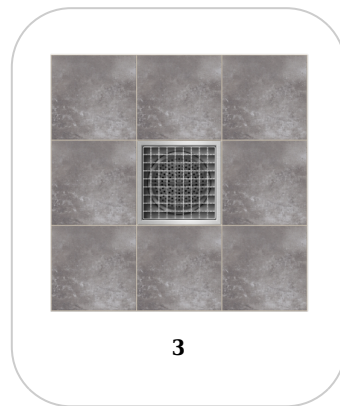
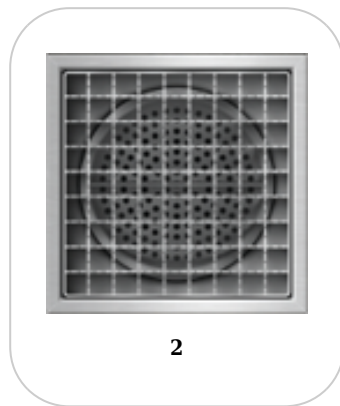
The commissioning of stainless steel siphons is carried out by specialized personnel, in compliance with the manufacturer's instructions and safety and stability requirements. Stainless steel siphons can also transport other types of industrial wastewater, provided that there is no risk of damage to the components or that they are harmful to health.

! For efficient installation, we recommend using G12M29C sealant. It is used for sealing gutters, pipes and drainage systems.



- Curing time: 24h/2-3 mm
- Application temperature: +5° C to +40°C
- Maximum storage temperature: 32°C

BASE sealant, construction products, 310 ml tube (G12M29-C).



Gama dimensionala:

0521.10.11.2	Sifon INOX STAINLESS 200x200 cu capac fante iesire verticala DN110 200x200x278 (0521.10.11.2)
0521.10.11.3AS	Sifon INOX STAINLESS 200x200 cu gratar tip grila antialunecare iesire verticala DN110 200x200x278 (0521.10.11.3AS)
0522.10.11.2	Sifon INOX STAINLESS 250x250 cu capac fante iesire verticala DN110 250x250x314 (0522.10.11.2)
0522.15.11.2	Sifon INOX STAINLESS 250x250 cu capac fante iesire verticala DN150 250x250x314 (0522.15.11.2)
0522.10.11.3AS	Sifon INOX STAINLESS 250x250 cu gratar tip grila antialunecare iesire verticala DN110 250x250x314 (0522.10.11.3AS)
0522.15.11.3AS	Sifon INOX STAINLESS 250x250 cu gratar tip grila antialunecare iesire verticala DN150 250x250x314 (0522.15.11.3AS)
0523.15.11.3AS	Sifon INOX STAINLESS 300x300 cu gratar tip grila antialunecare iesire verticala DN150 300x300x344 (0523.15.11.3AS)
0523.15.11.2	Sifon INOXSTAINLESS 300x300 cu capac fante iesire verticala DN150 300x300x344 (0523.15.11.2)

JELLEMZŐK

Termék neve	Sifon INOX STAINLESS 300x300 cu gratar tip grila antialunecare iesire verticala DN150 L15 300x300x344 (0523.15.11.3AS)
Termékkód	0523.15.11.3AS
EAN kód	6427669001591
Termékkategória	Sifoane pardoseală din inox
Brand	Drain
Súly	8.05 kg
Készlet elérhetősége	Egyedi gyártású
Hossz, mm	300
Szélesség, mm	300
Magasság (M), mm	344
Csőcsatlakozás (DN)	150
Terhességi osztály	L15
Termék anyaga	Rozsdamentes acél
Rácsrögzítő rendszer	Kattintás
Garancia, hónap	24
Termelő	VODALAND INDUSTRY LLC