

Drain: Rigola INOX STAINLESS modulare LN100 H90 1000x160x90 (992222)

992222

1000 mm
HOSSZ

90 mm
MAGASSÁG

160 mm
SZÉLESSÉG



FELHASZNÁLÁS:

Modular channels made of AISI304 stainless steel are designed for collecting wastewater inside buildings, offering increased safety, corrosion resistance, environmental and food protection.

MINŐSÉGI FELTÉTELEK:

- According to SR EN 1433:2002
- According to EU Regulation No. 305/2011

ELŐNYÖK:

- safety and health
- resistance to high and low temperatures
- protection of food and the environment
- durable and corrosion-resistant material
- high resistance in aggressive environments
- hygienic surfaces, easy to clean


ÉLETTARTAM:

- 20 years - subject to compliance with assembly, storage and operation instructions.

SZERELÉS

The modular installation system ensures easy and durable assembly, with the possibility of connecting to drain points directly via the gutter or via end plates with pipe connection.

*Attention: a stainless steel transition flange is used for the connection to the siphon.

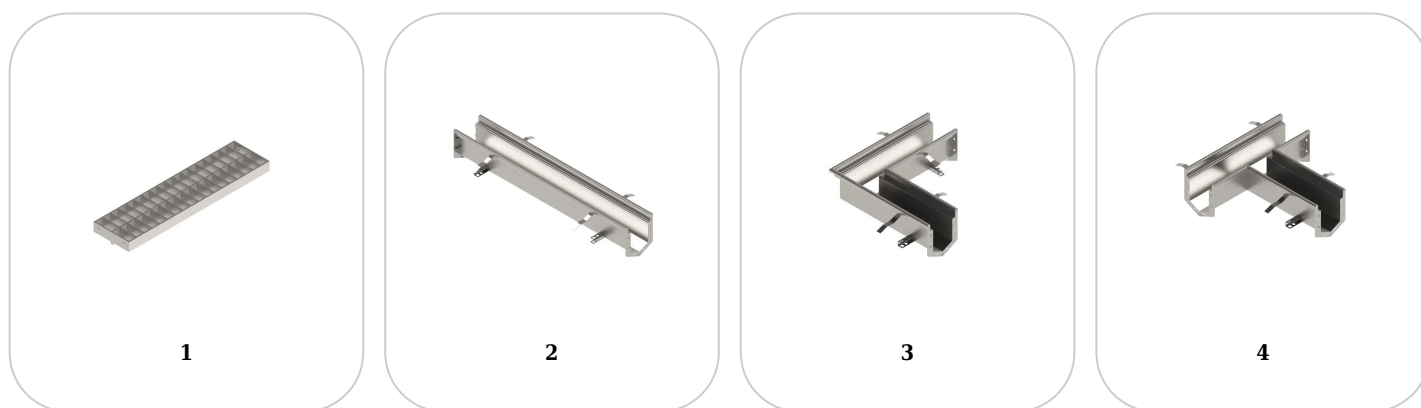
 We recommend installation in areas suitable for the load class, by specialized personnel. For efficient installation, we recommend using the sealant G12M29-C.



It is used for sealing gutters, pipes and drainage systems.

- Curing time: 24h/2-3 mm
- Operating temperature: -10° C to +40° C
- Storage conditions: Store in a ventilated area, at low temperatures.

BASE sealant, construction products, 310 ml tube (G12M29-C).



Tartozékok 992222



Flansa de trecere INOX STAINLESS tip A pentru rigola LN100 conexiune sifon 160x177 (992307)



Gratar INOX STAINLESS tip fante pentru rigola LN100 M125 498x126x30 (990141)



Placa de capat INOX STAINLESS tip A cu stut DN100 pentru rigola LN100 130x160x149 (992330)



Placa de capat INOX STAINLESS tip A pentru rigola LN100 160x117x15 (992301)



Sifon INOX STAINLESS
300x300 pentru rigola modulara
LN100, iesire verticala DN110
cu gratar tip fante M125
(992394-4)

Stainless steel drains and siphons can be used both in industrial spaces, factories or professional kitchens, and in private, residential areas. The most common areas of use, which require protection against bacteria and increased resistance of drainage systems, are:

- food industry
- pharmaceutical/medical industry
- professional kitchens
- chemical laboratories
- processing/packaging plants
- clinics or recovery centers
- hotels
- hospitals

JELLEMZŐK

Termék neve	Rigola INOX STAINLESS modulara LN100 H90 1000x160x90 (992222)
Termékkód	992222
EAN kód	6427669002611
Termékkategória	Rigole inox modulare
Brand	Drain
Súly	4.47 kg
Hossz, mm	1000
Szélesség, mm	160
Névleges szélesség, mm	LN100
Külső magasság, mm (Hext)	90
Terhességi osztály	R50
Termék anyaga	Rozsdamentes acél
Garancia, hónap	24
Termelő	VODALAND INDUSTRY LLC