

Drain: Kit rigola INOX STAINLESS modulara LN150 H100 gratar inox grila L15 iesire verticala mijloc DN110 1000x210x100 (990301-002)

990301-002

1000 mm
HOSSZ

338 mm
MAGASSÁG

210 mm
SZÉLESSÉG



FELHASZNÁLÁS:

INOX STAINLESS gutters made of AISI304 stainless steel are designed for collecting wastewater from inside buildings, offering increased safety, corrosion resistance, environmental and food protection.

MINŐSÉGI FELTÉTELEK:

- According to SR EN 1433:2002
- According to EU Regulation No. 305/2011

ELŐNYÖK:

- safety and health
- resistance to high and low temperatures
- protection of food and the environment
- durable and corrosion-resistant material
- high resistance in aggressive environments
- hygienic surfaces, easy to clean

ÉLETTARTAM:

- 20 years - subject to compliance with assembly, storage and operation instructions.

SZERELÉS

The modular installation system ensures easy and durable assembly, with the possibility of connecting to drain points directly via the gutter or via end plates with pipe connection.

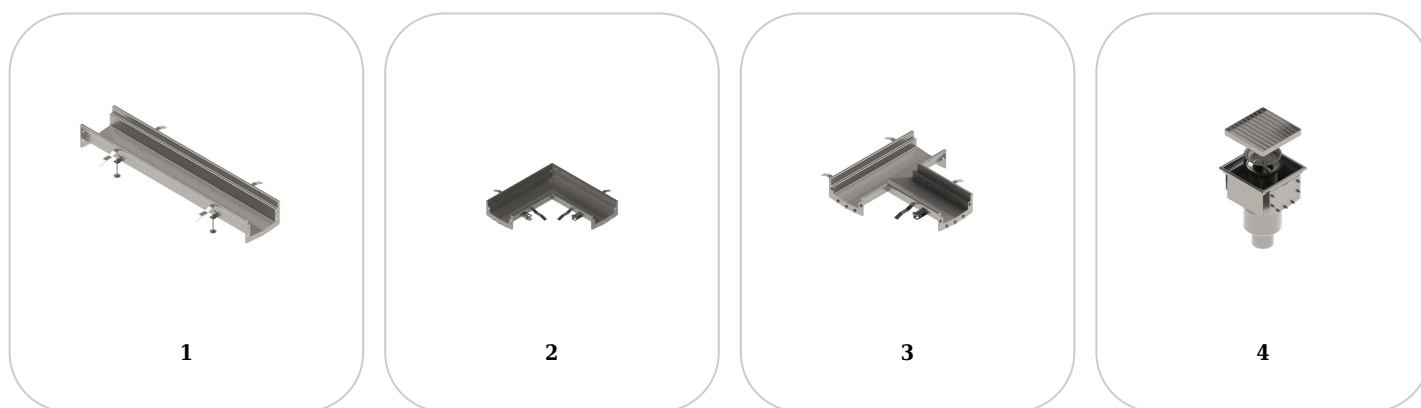
! We recommend installation in areas suitable for the load class, by specialized personnel. For efficient installation, we recommend using the sealant G12M29C.



It is used for sealing gutters, pipes and drainage systems.

- Curing time: 24h/2-3 mm
- Operating temperature: -10° C to +40° C
- Storage conditions: Store in a ventilated area, at low temperatures.

BASE sealant, construction products, 310 ml tube (G12M29-C).



Tartozékok 990301-002



Flansa de trecere INOX STAINLESS pentru rigola LN150 conexiune sifon (992907)



Placa de capat INOX STAINLESS pentru rigola LN150 210x107x15 (992901)



Rigola INOX STAINLESS modulara LN150 H80 1000x210x80 (992822)



Rigola INOX STAINLESS tip L modulara LN150 H80 515x515x80 (992842)



Rigola INOX STAINLESS tip T
modulara LN150 H80
515x500x80 (992862)



Sifon INOX STAINLESS
300x300 pentru rigola modulara
LN150, iesire verticala DN110
cu gratar tip fante M125
(992994-4)

Stainless steel drains and siphons can be used both in industrial spaces, factories or professional kitchens, and in private, residential areas. The most common areas of use, which require protection against bacteria and increased resistance of drainage systems, are:

- food industry
- pharmaceutical/medical industry
- professional kitchens
- chemical laboratories
- processing/packaging plants
- clinics or recovery centers
- hotels
- hospitals

JELLEMZŐK

Termék neve	Kit rigola INOX STAINLESS modulara LN150 H100 gratar inox grila L15 iesire verticala mijloc DN110 1000x210x100 (990301-002)
Termékkód	990301-002
EAN kód	6427669002598
Termékkategória	Rigole inox modulare
Brand	Drain
Súly	11.70 kg
Hossz, mm	1000
Szélesség, mm	210
Névleges szélesség, mm	LN150
Külső magasság, mm (Hext)	338
Terhességi osztály	L15
Termék anyaga	Rozsdamentes acél
Garancia, hónap	24
Termelő	VODALAND INDUSTRY LLC