

# Urban: Capac PP URBAN Negru patrat necarosabil 700x700 PL.550x550 Hext.80 cu 4 inchizatoare A15 (35487-20)

## 35487-20

**700 mm**  
HOSSZ / KÜLSŐ ÁTMÉRŐ

**700 mm**  
SZÉLESSÉG / BELSŐ ÁTMÉRŐ



### FELHASZNÁLÁS:

Plastic covers are used in stormwater sewer networks and to cover access soaces and installations located in pedestrian areas with light traffic.

### MINŐSÉGI FELTÉTELEK:

- SR EN 124-6 compliant
- EU Regulation No. 305/2011 compliant
- Declaration of conformity

### ELŐNYÖK:

- Durability
- Aesthetic design
- Balanced ratio between load class and product weight
- Warranty (2 years)

### TERMÉKGARANCIA:

- 24 months - with proper adherence to installation, storage, and operation instructions.

## SZERELÉS

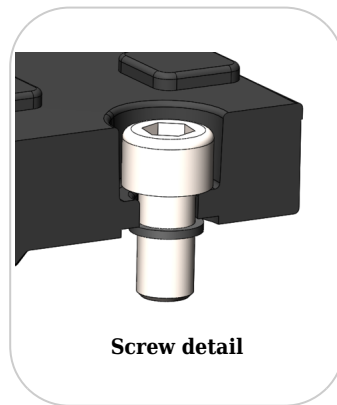
Installation and commissioning should only take place in areas that are consistent with the product's load class, A15: pedestrian zones with light traffic. Commissioning should be carried out by specialized personnel.

**!** For efficient installation, we recommend using the G12M29-C sealant. It is used for sealing trenches, pipes, and drainage systems.



- Cure time: 24 hours for a 2-3 mm thickness
- Application temperature: -10° C to +40° C
- Storage conditions: Store in a ventilated space at low temperatures.

BASE sealant, construction products, 310 ml tube (G12M29-C).



## Tartozékok 35487-20



## JELLEMZŐK

|                                       |   |
|---------------------------------------|---|
| <b>Termék neve</b>                    | Capac PP URBAN Negru patrat necarosabil 700x700 PL.550x550 Hext.80 cu 4 inchizatoare A15 (35487-20) |
| <b>Termékkód</b>                      | 35487-20  |
| <b>EAN kód</b>                        | 6426282034122   |
| <b>Termékkategória</b>                | Capace plastic A15  |
| <b>Brand</b>                          | Urban   |
| <b>Súly</b>                           | 6.63 kg   |
| <b>Készlet elérhetősége</b>           | Tárolható   |
| <b>Hossz, mm</b>                      | 700   |
| <b>Szélesség, mm</b>                  | 700   |
| <b>Magasság (M), mm</b>               | 80  |
| <b>Ereszcsatorna-csatlakozás (LN)</b> | -   |
| <b>Belső átmérő / hézag (mm)</b>      | 550x550   |
| <b>Terhességi osztály</b>             | A15   |
| <b>Termék anyaga</b>                  | Polipropilén  |
| <b>Rögzítőrendszer</b>                | konkrét   |
| <b>Szín</b>                           | Fekete  |
| <b>Garancia, hónap</b>                | 24  |
| <b>Termelő</b>                        | VODALAND INDUSTRY LLC   |