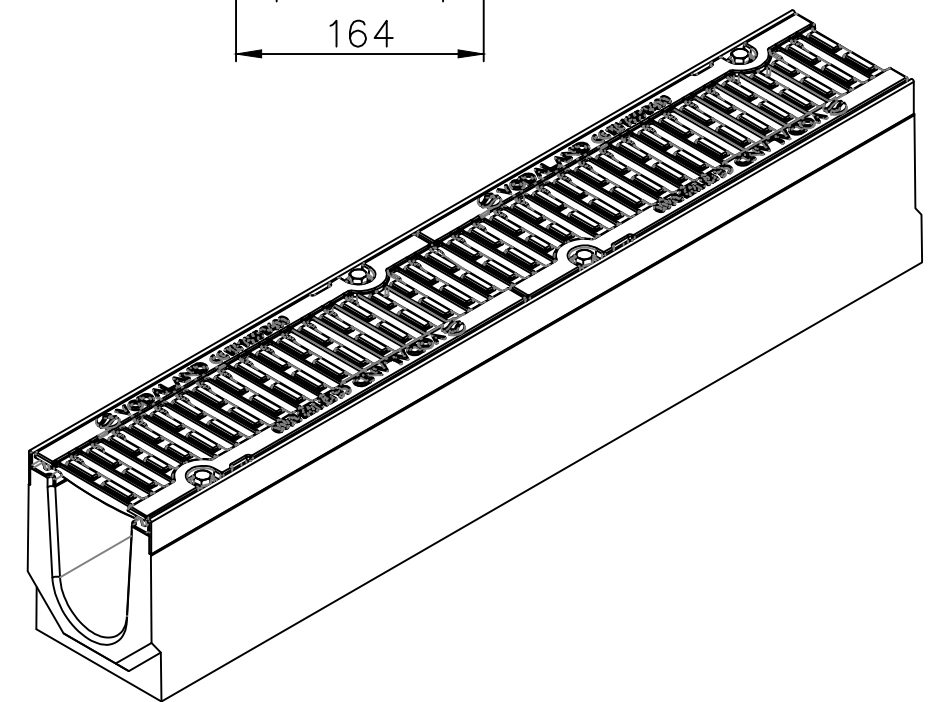


Channel with slotted Grate D400


Channel with slotted Grate D400 and vertical outlet 110



Article	H/h, mm	Weight kg	Article	H/h, mm	Weight kg	Article	H/h, mm	Weight, kg	Article	H/h, mm	Weight kg
040071334/230	230	53,6	040071334/230-225	230/225	52,8	04007133409/230	230	52,6	04007133409/230-225	230/225	51,8
040071334/225	225	52,9	040071334/225-220	225/220	52,1	04007133409/225	225	51,9	04007133409/225-220	225/220	51,1
040071334/220	220	52,3	040071334/220-215	220/215	51,4	04007133409/220	220	51,2	04007133409/220-215	220/215	50,4
040071334/215	215	51,6	040071334/215-210	215/210	50,8	04007133409/215	215	50,6	04007133409/215-210	215/210	49,8
040071334/210	210	50,9	040071334/210-205	210/205	50,1	04007133409/210	210	49,9	04007133409/210-205	210/205	49,1
040071334/205	205	50,2	040071334/205-200	205/200	49,4	04007133409/205	205	49,2	04007133409/205-200	205/200	48,4
040071334/200	200	49,5	040071334/200-195	200/195	48,7	04007133409/200	200	48,5	04007133409/200-195	200/195	47,7
040071334/195	195	48,9	040071334/195-190	195/190	48,0	04007133409/195	195	47,8	04007133409/195-190	195/190	47,0
040071334/190	190	48,2	040071334/190-185	190/185	47,4	04007133409/190	190	47,2	04007133409/190-185	190/185	46,4
040071334/185	185	47,5	040071334/185-180	185/180	46,7	04007133409/185	185	46,5	04007133409/185-180	185/180	45,7
040071334/180	180	46,8	040071334/180-175	180/175	46,0	04007133409/180	180	45,8	04007133409/180-175	180/175	45,0
040071334/175	175	46,1	040071334/175-170	175/170	45,3	04007133409/175	175	45,1	04007133409/175-170	175/170	44,3
040071334/170	170	45,5	040071334/170-165	170/165	44,6	04007133409/170	170	44,4	04007133409/170-165	170/165	43,6
040071334/165	165	44,8	040071334/165-160	165/160	44,0	04007133409/165	165	43,8	04007133409/165-160	165/160	43,0
040071334/160	160	44,1	040071334/160-155	160/155	43,3	04007133409/160	160	43,1	04007133409/160-155	160/155	42,3
040071334/155	155	43,4	040071334/155-150	155/150	42,6	04007133409/155	155	42,4	04007133409/155-150	155/150	41,6
040071334/150	150	42,7	040071334/150-145	150/145	41,9	04007133409/150	150	41,7	04007133409/150-145	150/145	40,9
040071334/145	145	42,1	040071334/145-140	145/140	41,2	04007133409/145	145	41,0	04007133409/145-140	145/140	40,2
040071334/140	140	41,4	040071334/140-135	140/135	40,6	04007133409/140	140	40,4	04007133409/140-135	140/135	39,6
040071334/135	135	40,7	040071334/135-130	135/130	39,9	04007133409/135	135	39,7	04007133409/135-130	135/130	38,9
040071334/130	130	40,0	040071334/130-125	130/125	39,2	04007133409/130	130	39,0	04007133409/130-125	130/125	38,2
040071334/125	125	39,3	040071334/125-120	125/120	38,5	04007133409/125	125	38,3	04007133409/125-120	125/120	37,5
040071334/120	120	38,6				04007133409/120	120	37,6			



1. Dimensions for reference
2. Delivery and packaging are carried out in accordance with the terms of the contract
3. The manufacturer reserves the right, without notice to the consumer, to make changes to the design of the products for improvement of their technological and operational parameters, which will not affect the quality and properties of the product
4. Deviation of the actual weight of the nominal can be up to 10%.

UNLESS OTHERWISE SPECIFIED: DIMENSIONS ARE IN MILLIMETERS SURFACE FINISH: TOLERANCES: ISO 2768 - C LINEAR: ANGULAR:		FINISH:	DEBURR AND BREAK SHARP EDGES	DO NOT SCALE DRAWING	REVISION
DRAWN: Kyselytsia		SIGNATURE:	DATE: 22.07.22	 TITLE: Concrete Drain Channel Pro DN100 H120 with Cast Iron Grate D400 ARTICLE: 040071334/120 A3	
CHK'D: Kharambura					
APPV'D: Malynovskiy					
MFG:					
Q.A:					
		MATERIAL: Concrete, Cast Iron		SCALE: 1:5	SHEET 1 OF 1
		WEIGHT: kg			