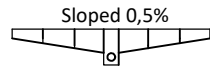
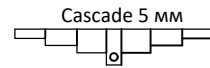
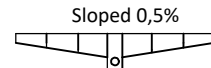
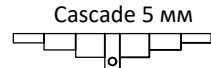


Channel with Grate D400

Channel with Grate D400 and vertical outlet

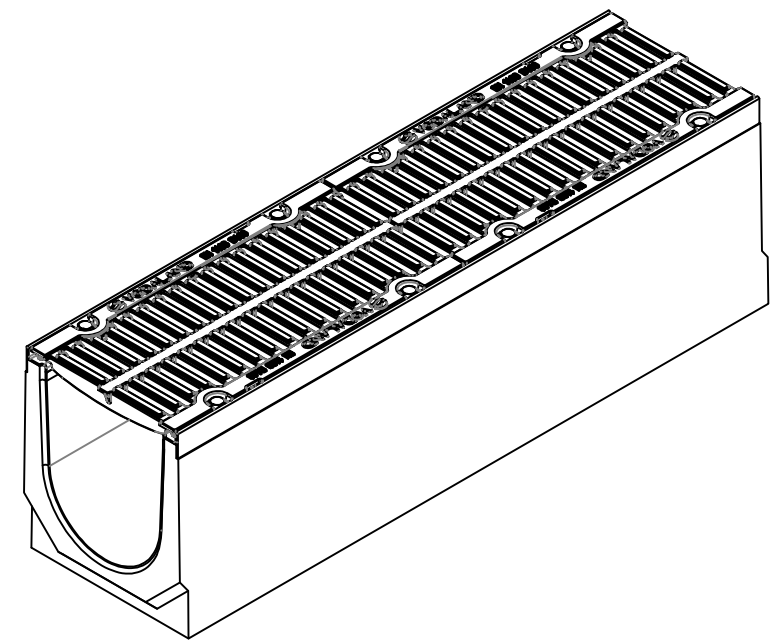


Article	H/h, mm	Weight kg
045071334/360	360	113,7
045071334/355	355	112,9
045071334/350	350	112,2
045071334/345	345	111,5
045071334/340	340	110,8
045071334/335	335	110,1
045071334/330	330	109,3
045071334/325	325	108,6
045071334/320	320	107,9
045071334/315	315	107,2
045071334/310	310	106,5
045071334/305	305	105,7
045071334/300	300	105,0
045071334/295	295	104,3
045071334/290	290	103,6
045071334/285	285	102,9
045071334/280	280	102,1
045071334/275	275	101,4
045071334/270	270	100,7
045071334/265	265	100,0
045071334/260	260	99,3
045071334/255	255	98,5
045071334/250	250	97,8
045071334/245	245	97,1
045071334/240	240	96,4
045071334/235	235	95,7
045071334/230	230	94,9
045071334/225	225	94,2
045071334/220	220	93,5
045071334/215	215	92,8
045071334/210	210	92,1
045071334/205	205	91,3
045071334/200	200	90,6

Article	H/h, mm	Weight kg
045071334/360-355	360/355	113,3
045071334/355-350	355/350	112,6
045071334/350-345	350/345	111,8
045071334/345-340	345/340	111,1
045071334/340-335	340/335	110,4
045071334/335-330	335/330	109,7
045071334/330-325	330/325	109,0
045071334/325-320	325/320	108,2
045071334/320-315	320/315	107,5
045071334/315-310	315/310	106,8
045071334/310-305	310/305	106,1
045071334/305-300	305/300	105,4
045071334/300-295	300/295	104,6
045071334/295-290	295/290	103,9
045071334/290-285	290/285	103,2
045071334/285-280	285/280	102,5
045071334/280-275	280/275	101,8
045071334/275-270	275/270	101,0
045071334/270-265	270/265	100,3
045071334/265-260	265/260	99,6
045071334/260-255	260/255	98,9
045071334/255-250	255/250	98,2
045071334/250-245	250/245	97,4
045071334/245-240	245/240	96,7
045071334/240-235	240/235	96,0
045071334/235-230	235/230	95,3
045071334/230-225	230/225	94,6
045071334/225-220	225/220	93,8
045071334/220-215	220/215	93,1
045071334/215-210	215/210	92,4
045071334/210-205	210/205	91,7
045071334/205-200	205/200	91,0

Article	H/h, mm	Weight kg
04507133409/360	360	108,6
04507133409/355	355	107,9
04507133409/350	350	107,2
04507133409/345	345	106,5
04507133409/340	340	105,7
04507133409/335	335	105,0
04507133409/330	330	104,3
04507133409/325	325	103,6
04507133409/320	320	102,9
04507133409/315	315	102,1
04507133409/310	310	101,4
04507133409/305	305	100,7
04507133409/300	300	100,0
04507133409/295	295	99,3
04507133409/290	290	98,5
04507133409/285	285	97,8
04507133409/280	280	97,1
04507133409/275	275	96,4
04507133409/270	270	95,7
04507133409/265	265	94,9
04507133409/260	260	94,2
04507133409/255	255	93,5
04507133409/250	250	92,8
04507133409/245	245	92,1
04507133409/240	240	91,3
04507133409/235	235	90,6
04507133409/230	230	89,9
04507133409/225	225	89,2
04507133409/220	220	88,5
04507133409/215	215	87,7
04507133409/210	210	87,0
04507133409/205	205	86,3
04507133409/200	200	85,6

Article	H/h, mm	Weight kg
04507133409/360-355	360/355	108,2
04507133409/355-350	355/350	107,5
04507133409/350-345	350/345	106,8
04507133409/345-340	345/340	106,1
04507133409/340-335	340/335	105,4
04507133409/335-330	335/330	104,6
04507133409/330-325	330/325	103,9
04507133409/325-320	325/320	103,2
04507133409/320-315	320/315	102,5
04507133409/315-310	315/310	101,8
04507133409/310-305	310/305	101,0
04507133409/305-300	305/300	100,3
04507133409/300-295	300/295	99,6
04507133409/295-290	295/290	98,9
04507133409/290-285	290/285	98,2
04507133409/285-280	285/280	97,4
04507133409/280-275	280/275	96,7
04507133409/275-270	275/270	96,0
04507133409/270-265	270/265	95,3
04507133409/265-260	265/260	94,6
04507133409/260-255	260/255	93,8
04507133409/255-250	255/250	93,1
04507133409/250-245	250/245	92,4
04507133409/245-240	245/240	91,7
04507133409/240-235	240/235	91,0
04507133409/235-230	235/230	90,2
04507133409/230-225	230/225	89,5
04507133409/225-220	225/220	88,8
04507133409/220-215	220/215	88,1
04507133409/215-210	215/210	87,4
04507133409/210-205	210/205	86,6
04507133409/205-200	205/200	85,9



1. Dimensions for reference
2. Delivery and packaging are carried out in accordance with the terms of the contract
3. The manufacturer reserves the right, without notice to the consumer, to make changes to the design of the products for improvement of their technological and operational parameters, which will not affect the quality and properties of the product
4. Deviation of the actual weight of the nominal can be up to 10%.

UNLESS OTHERWISE SPECIFIED: DIMENSIONS ARE IN MILLIMETERS		FINISH:		DEBURR AND BREAK SHARP EDGES		DO NOT SCALE DRAWING		REVISION	
SURFACE FINISH:		TOLERANCES: ISO 2768 - C		LINEAR:		ANGULAR:			
DRAWN: B.VK		SIGNATURE:		DATE: 22.07.22		TITLE: Concrete Drain Channel Pro DN200 H200-360 with Ductile Iron Grate D400			
CHK'D: B.OX		APPV'D: B.IM		MFG:		MATERIAL: Concrete, Ductile Cast Iron		ARTICLE: A3	
Q.A:		WEIGHT: kg		SCALE: 1:7		SHEET 1 OF 1			