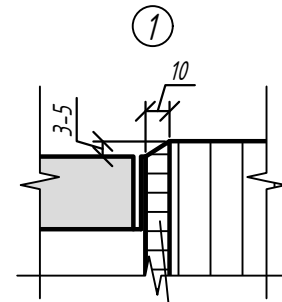
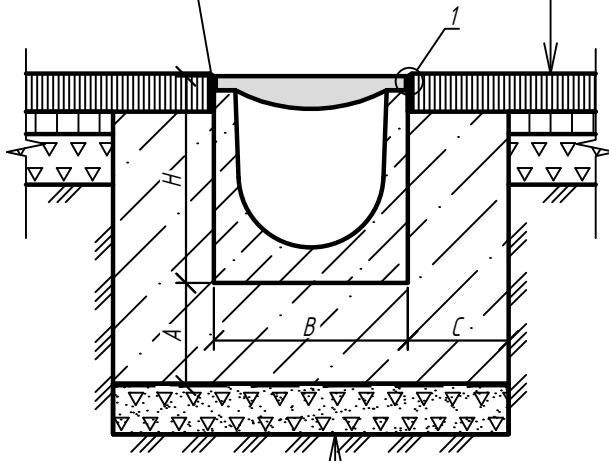


Mega series concrete channels with a hydraulic cross-section of DN300/400/500.
Installation on an asphalt concrete covering. Installation of a concrete support in one step.

Expansion/crack control joints

Asphalt concrete pavement



Bitumen-polymer tape 50x10

- Trench drain ①
- Base Course h=20-30mm ②
- Concrete encasement ③
- Vapour seal foil ④
- Bedding layer h=100mm ⑤
- Soil ⑥

Recommended parameters of the Concrete encasement

Parameters	Load class		
	D400	E600	F900
Concrete encasement depth (A), mm	250	250	300
Concrete encasement width (C), mm	200	200	250
Compressive strength concrete class	C20/25	C20/25	C20/25

Notes

1. Parameters of bedding layer, concrete encasements as well as necessity of reinforcement must be selected according to geological conditions of the site.
2. If the line length of the trench drains line is more than 10m, expansion joints of the concrete encasement should be designed.
3. Heavy load trench drain lines, including traffic transverse motion has to be made of monolithic trench drains CompoMax Monoblock without bolt clamps.
4. For compensation of temperature influence and deformation fluctuations of the adjoining pavement, it is recommended to arrange, at a distance of 250-500mm from the edge of the trench drain, longitudinal temperature /expansion joints.
5. Applicability of the concrete reinforcement must be approved by E class calculation (rebar type and class).
6. Installation diagram is non-regulatory. Check updates on the website.

IG/SD-001/20

Typical installation scheme of the rain water collection system

		Sigt.	Date
Затвердив	Малиновський		
Погодив	Березовська		
Перевірів	Киселиця		
Розробив	Ефименко		08.2024

Concrete trench drain Mega series with hydraulic cross section DN100-300

Page

1.7

Asphalt pavement trench drain installation

