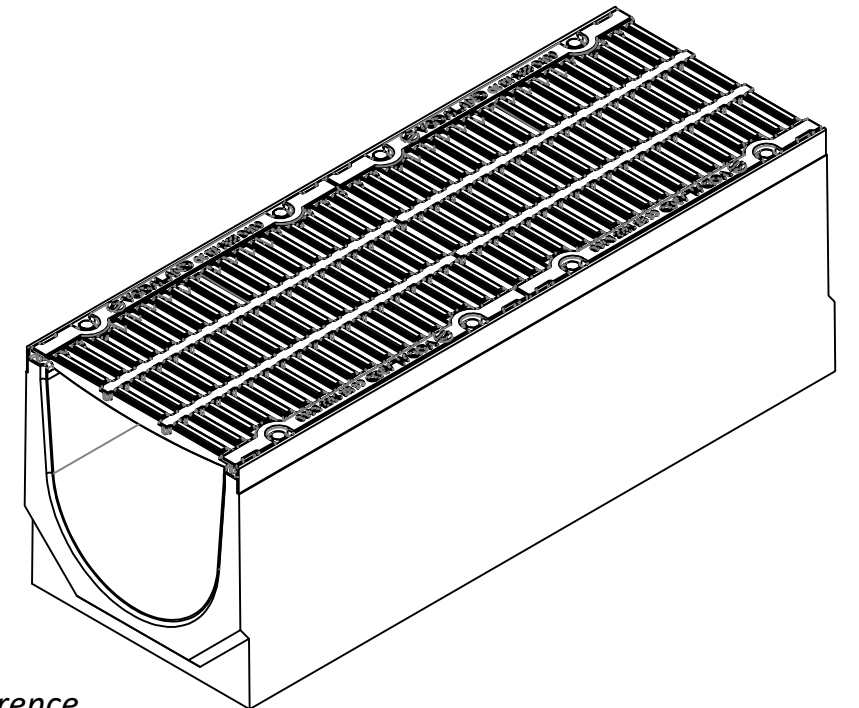


Article	H/h, mm	Weight kg	Article	H/h, mm	Weight kg	Article	H/h, mm	Weight kg	Article	H/h, mm	Weight kg
047071334/410	410	171,4	047071334/410-405	410/405	171,0	04707133409/410	410	163,2	04707133409/410-405	410/405	162,9
047071334/405	405	170,7	047071334/405-400	405/400	170,3	04707133409/405	405	162,5	04707133409/405-400	405/400	162,2
047071334/400	400	170,0	047071334/400-395	400/395	169,6	04707133409/400	400	161,8	04707133409/400-395	400/395	161,5
047071334/395	395	169,3	047071334/395-390	395/390	168,6	04707133409/395	395	161,4	04707133409/395-390	395/390	160,8
047071334/390	390	168,6	047071334/390-385	390/385	168,2	04707133409/390	390	160,4	04707133409/390-385	390/385	160,1
047071334/385	385	167,9	047071334/385-380	385/380	167,5	04707133409/385	385	159,7	04707133409/385-380	385/380	159,4
047071334/380	380	167,2	047071334/380-375	380/375	166,8	04707133409/380	380	159,0	04707133409/380-375	380/375	158,7
047071334/375	375	166,5	047071334/375-370	375/370	166,1	04707133409/375	375	158,3	04707133409/375-370	375/370	158,0
047071334/370	370	165,8	047071334/370-365	370/365	165,4	04707133409/370	370	157,6	04707133409/370-365	370/365	157,3
047071334/365	365	165,1	047071334/365-360	365/360	164,7	04707133409/365	365	156,9	04707133409/365-360	365/360	156,6
047071334/360	360	164,4	047071334/360-355	360/355	164,0	04707133409/360	360	156,2	04707133409/360-355	360/355	155,9
047071334/355	355	163,7	047071334/355-350	355/350	163,3	04707133409/355	355	155,5	04707133409/355-350	355/350	155,2
047071334/350	350	163,0	047071334/350-345	350/345	162,6	04707133409/350	350	154,8	04707133409/350-345	350/345	154,5
047071334/345	345	162,3	047071334/345-340	345/340	161,9	04707133409/345	345	154,1	04707133409/345-340	345/340	153,8
047071334/340	340	161,6	047071334/340-335	340/335	161,2	04707133409/340	340	153,4	04707133409/340-335	340/335	153,1
047071334/335	335	160,9	047071334/335-330	335/330	160,5	04707133409/335	335	152,7	04707133409/335-330	335/330	152,4
047071334/330	330	160,2	047071334/330-325	330/325	159,8	04707133409/330	330	152,0	04707133409/330-325	330/325	151,7
047071334/325	325	159,5	047071334/325-320	325/320	159,1	04707133409/325	325	151,2	04707133409/325-320	325/320	151,0
047071334/320	320	158,8	047071334/320-315	320/315	158,4	04707133409/320	320	150,5	04707133409/320-315	320/315	150,3
047071334/315	315	158,1	047071334/315-310	315/310	157,7	04707133409/315	315	149,8	04707133409/315-310	315/310	149,6
047071334/310	310	157,4	047071334/310-305	310/305	157,0	04707133409/310	310	149,1	04707133409/310-305	310/305	148,9
047071334/305	305	156,7	047071334/305-300	305/300	156,3	04707133409/305	305	148,4	04707133409/305-300	305/300	148,2
047071334/300	300	156,0	047071334/300-295	300/295	155,6	04707133409/300	300	147,7	04707133409/300-295	300/295	147,5
047071334/295	295	155,3	047071334/295-290	295/290	154,9	04707133409/295	295	147,0	04707133409/295-290	295/290	146,8
047071334/290	290	154,6	047071334/290-285	290/285	154,2	04707133409/290	290	146,3	04707133409/290-285	290/285	146,1
047071334/285	285	153,9	047071334/285-280	285/280	153,5	04707133409/285	285	145,6	04707133409/285-280	285/280	145,4
047071334/280	280	153,2	047071334/280-275	280/275	152,8	04707133409/280	280	144,9	04707133409/280-275	280/275	144,7
047071334/275	275	152,5	047071334/275-270	275/270	152,1	04707133409/275	275	144,3	04707133409/275-270	275/270	144,0
047071334/270	270	151,8	047071334/270-265	270/265	151,4	04707133409/270	270	143,6	04707133409/270-265	270/265	143,3
047071334/265	265	151,1	047071334/265-260	265/260	150,7	04707133409/265	265	142,9	04707133409/265-260	265/260	142,6
047071334/260	260	150,4				04707133409/260	260	142,2			



1. Dimensions for reference
2. Delivery and packaging are carried out in accordance with the terms of the contract
3. The manufacturer reserves the right, without notice to the consumer, to make changes to the design of the products for improvement of their technological and operational parameters, which will not affect the quality and properties of the product
4. Deviation of the actual weight of the nominal can be up to 10%.

UNLESS OTHERWISE SPECIFIED: DIMENSIONS ARE IN MILLIMETERS		FINISH:		DEBURR AND BREAK SHARP EDGES		DO NOT SCALE DRAWING		REVISION		
SURFACE FINISH: TOLERANCES: ISO 2768 - C		LINEAR:		ANGULAR:						
DRAWN: Kyselytsia		SIGNATURE:		DATE: 22.07.22						TITLE: Concrete Drain Channel Pro DN300 H410 with Cast Iron Grate D400
CHK'D: Kharambura		APPV'D: Malynovskiy		MFG:		MATERIAL: Concrete, Cast Iron		ARTICLE: 047071334/410		A3
Q.A:		WEIGHT: kg		SCALE: 1:9		SHEET 1 OF 1				