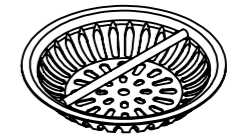
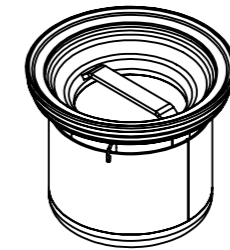
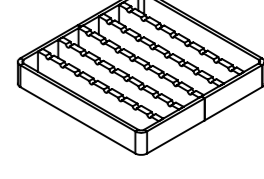
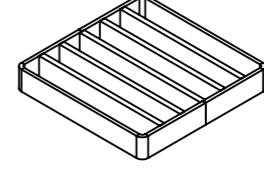
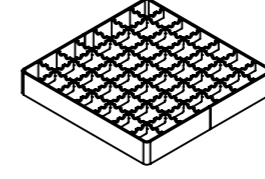
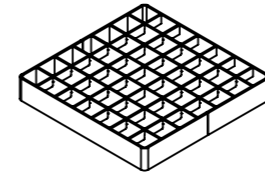
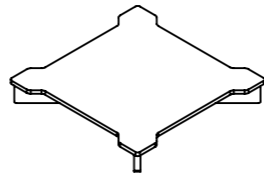
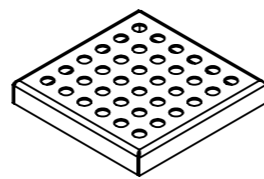
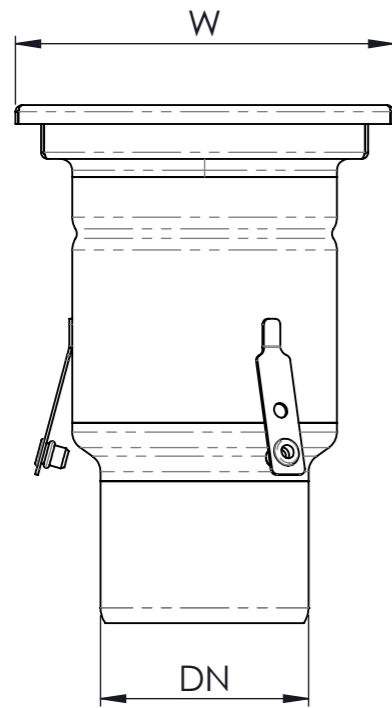
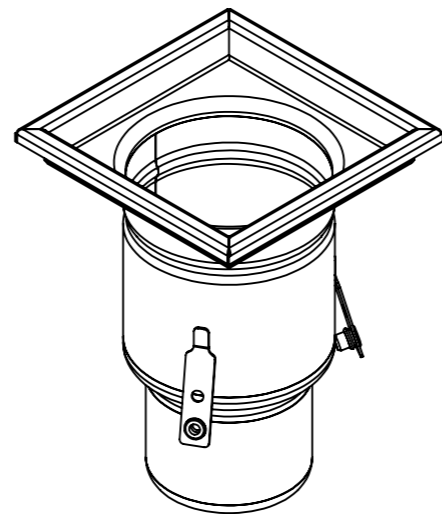


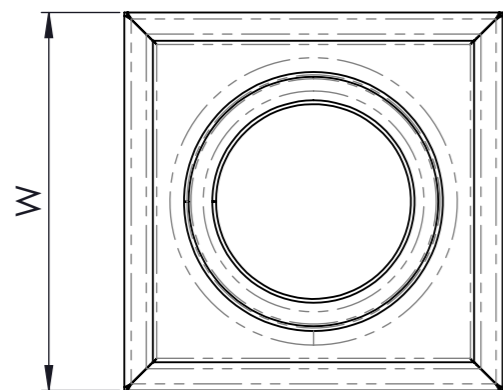
Name of Floor Drain Point	Dimension of Drain Point		Article of Floor Drain Point complete with hydro-lock, debris basket and grating					
	W, mm (square top dimension)	DN (diameter of outlet in mm)	with perforated grating (load class L15)	with plate grating (load class R50)	with mesh grating (load class L15)	with mesh grating with anti-slip (load class L15)	with ladder grating (load class M125)	with ladder grating with anti-slip (load class M125)
Floor Drain Point 200x200 with vertical outlet DN50	200x200	50 (51mm)	0521.05.11.1	0521.05.11.2	0521.05.11.3	0521.05.11.3AS	0521.05.11.4	0521.05.11.4AS
Floor Drain Point 200x200 with vertical outlet DN100	200x200	100 (110mm)	0521.10.11.1	0521.10.11.2	0521.10.11.3	0521.10.11.3AS	0521.10.11.4	0521.10.11.4AS
Floor Drain Point 250x250 with vertical outlet DN100	250x250	100 (110mm)	0522.10.11.1	0522.10.11.2	0522.10.11.3	0522.10.11.3AS	0522.10.11.4	0522.10.11.4AS
Floor Drain Point 250x250 with vertical outlet DN150	250x250	150 (160mm)	0522.15.11.1	0522.15.11.2	0522.15.11.3	0522.15.11.3AS	0522.15.11.4	0522.15.11.4AS
Floor Drain Point 300x300 with vertical outlet DN150	300x300	150 (160mm)	0523.15.11.1	0523.15.11.2	0523.15.11.3	0523.15.11.3AS	0523.15.11.4	0523.15.11.4AS
Floor Drain Point 300x300 with vertical outlet DN200	300x300	200 (200mm)	0523.20.11.1	0523.20.11.2	0523.20.11.3	0523.20.11.3AS	0523.20.11.4	0523.20.11.4AS



Hydro-lock and debris basket including in set



1. Dimensions for reference
2. Delivery and packaging are carried out in accordance with the terms of the contract
3. The manufacturer reserves the right, without notice to the consumer, to make changes to the design of the products for improvement of their technological and operational parameters, which will not affect the quality and properties of the product.



UNLESS OTHERWISE SPECIFIED: DIMENSIONS ARE IN MILLIMETERS SURFACE FINISH: TOLERANCES: ISO 2768-c LINEAR: ANGULAR:		FINISH: passivated	DEBURR AND BREAK SHARP EDGES	DO NOT SCALE DRAWING	REVISION
DRAWN				 Floor Drain Point with vertical outlet	
CHK'D					
APPV'D					
MFG					
Q.A					
MATERIAL: Stainless Steel (AISI304)			ARTICLE:	A3	
SCALE:1:2.5				SHEET 2 OF 2	