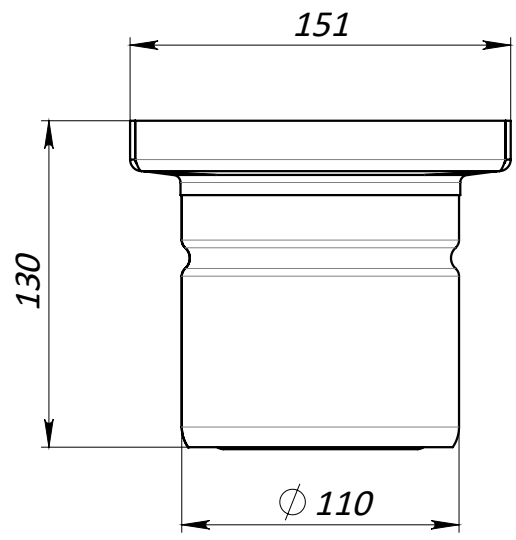


4 3 2 1

F

F

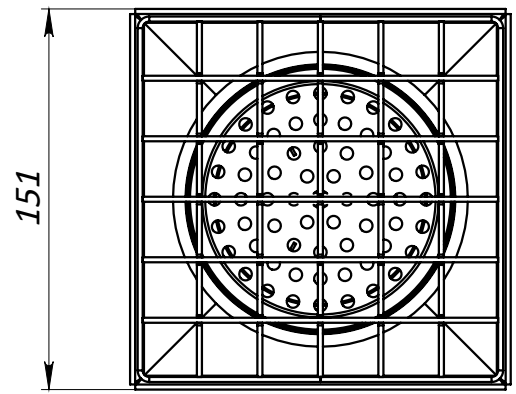


E

E

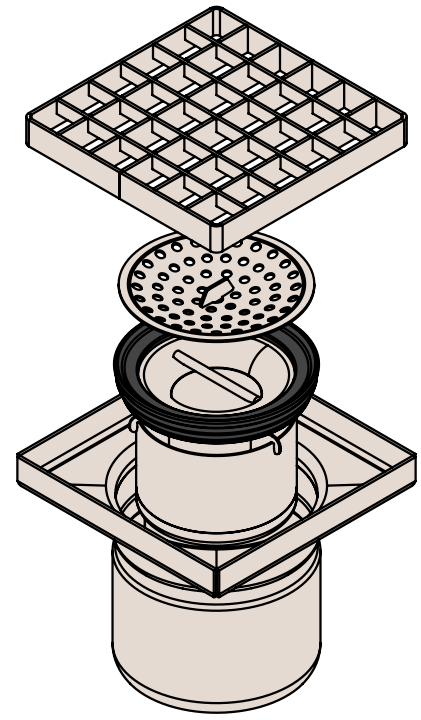
D

D



C

C



B

B

1. Dimensions for reference
2. Delivery and packaging are carried out in accordance with the terms of the contract
3. The manufacturer reserves the right, without notice to the consumer, to make changes to the design of the products for improvement of their technological and operational parameters, which will not affect the quality and properties of the product.

UNLESS OTHERWISE SPECIFIED:
DIMENSIONS ARE IN MILLIMETERS
SURFACE FINISH:
TOLERANCES: ISO 2768-m
LINEAR:
ANGULAR:

FINISH:
Passivation

DEBURR AND
BREAK SHARP
EDGES

DO NOT SCALE DRAWING

REVISION



	NAME	SIGNATURE	DATE
DRAWN	Karetin		02.03.23
CHK'D	Halushka		
APPV'D			
MFG			
Q.A			
MATERIAL:		Stainless Steel (AISI 304)	
WEIGHT:		1.73 kg	

TITLE:		Stainless Steel Drain Point 150x150 vertical outlet 110 with Mesh Grate L15	
ARTICLE:		0525.10.11.3.3-1-EU (993104-1)	
		A4	
SCALE:1:3		SHEET 1 OF 1	

A

A

4 3 2 1