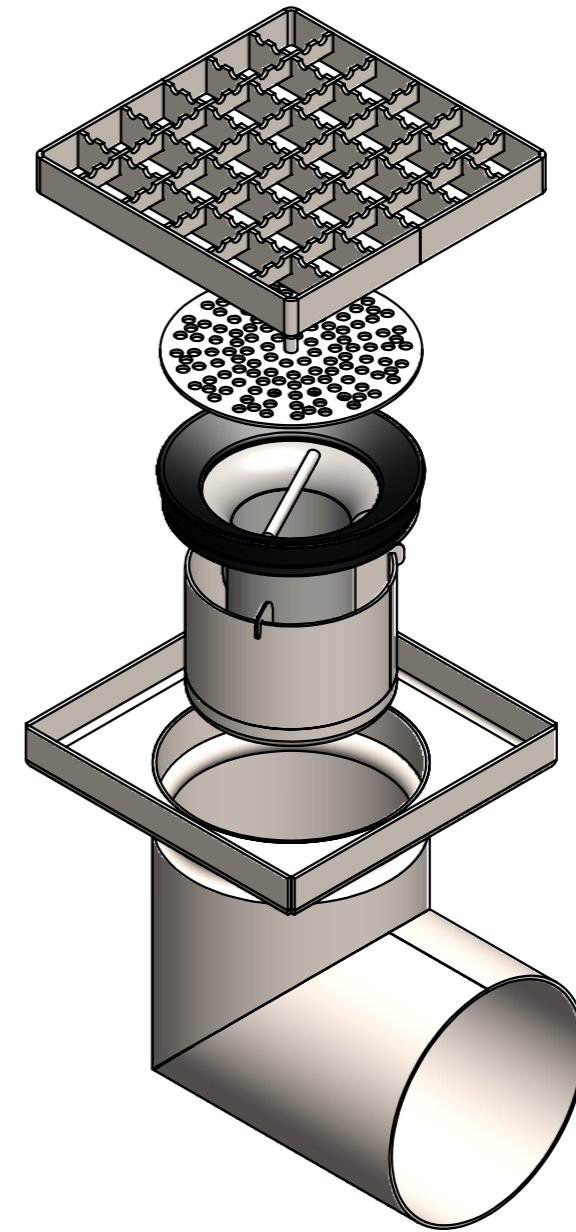
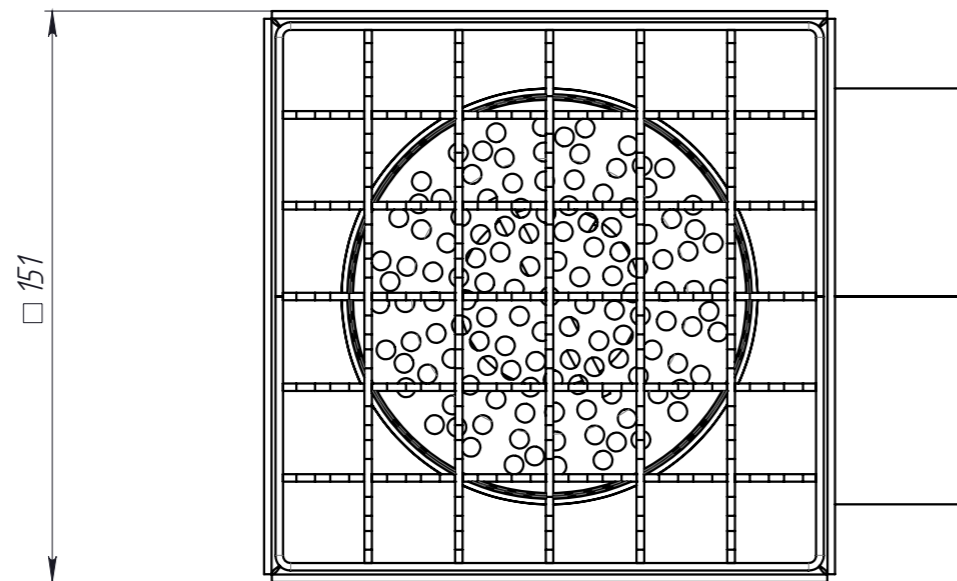
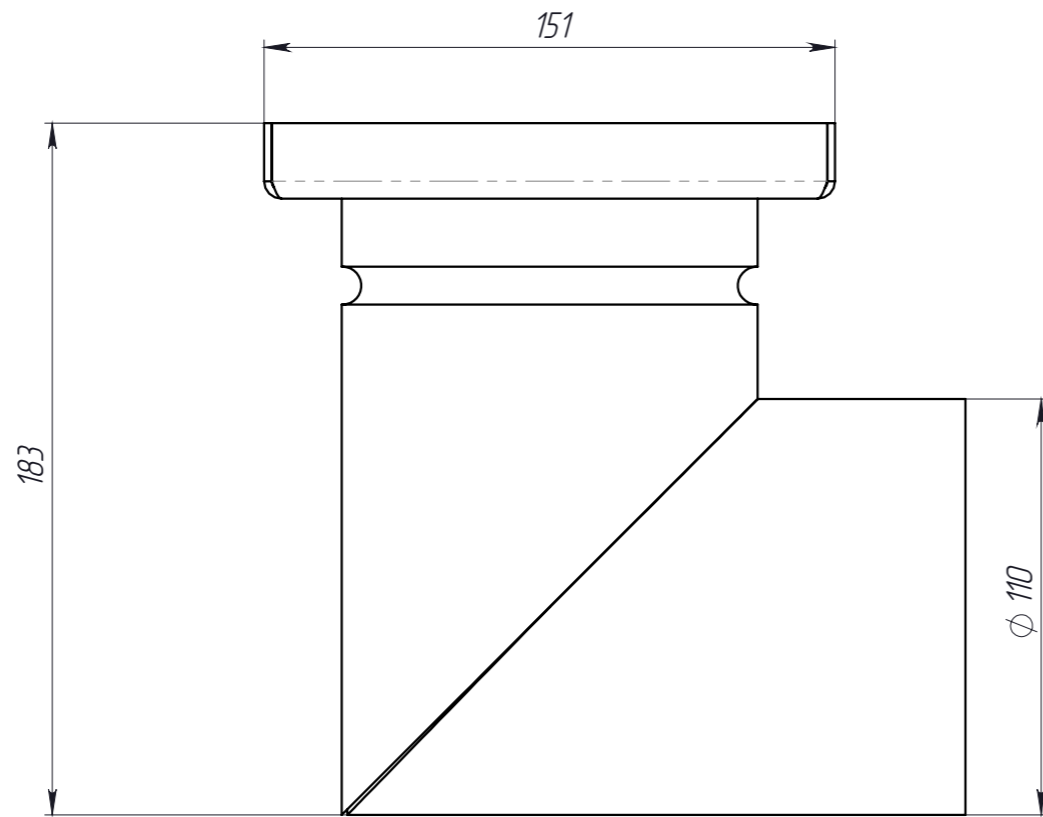


Primary Usage						
Reference No.						
Sign. and date						
Copy inv. No.						
Repl. Inv. No.						
Sign. and date						
Orig. Inv. No.						



- * - Dimensions for reference;
- Unspecified marginal deviation of dimensions $H14, h14, \pm IT14/2$;
- Delivery and packaging are carried out in accordance with the terms of the contract
- The manufacturer reserves the right, without notice to the consumer, to make changes to the design of the products for improvement their technological and operational parameters, which will not affect the quality and properties of the product.

				Art.	0525.10.21.3.3-1-EU		
Rev.	Sheet	Doc. No.	Sign.	Data	<i>Trap Mini 150x150 with horizontal outlet DN100 with mesh grating</i>		
				05.08.17			
					Let.	Weight	Scale
						2.26	1:5
					Sheet	Sheets 1	
					Stainless Steel		