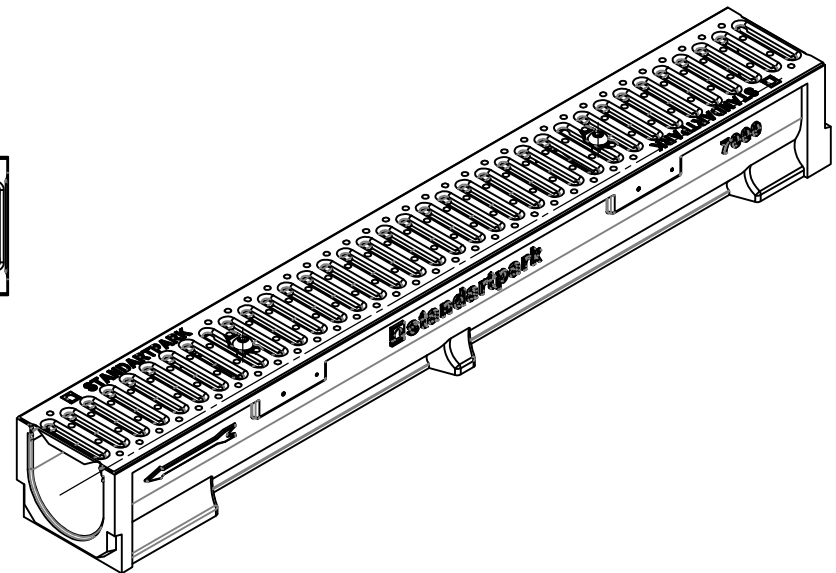
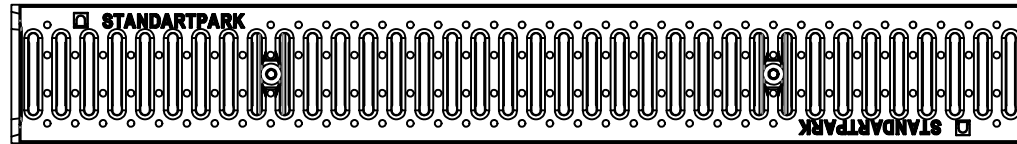
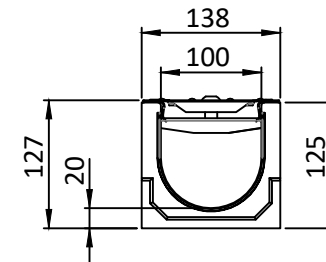
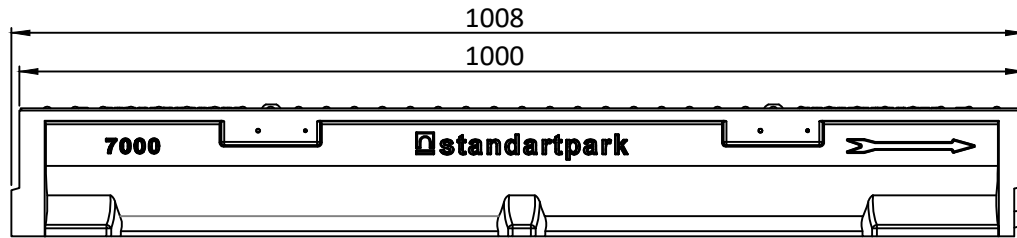


0700020101



Sign. and date

				Polymer Concrete Channel with grating slotted			Art.	
Rev/Sheet	Doc. No.	Sign.	Data			Let.	Weight	Scale
			10.05.17				12.1	1:5
Dvlpd by	Kozhukh O.					Sheet	Sheets 1	
Chkd by	Neagoe R.							
Contact	tehnic@standartpark.ro			Polymer Concrete, Steel				

**0700020101**

**Load Class A**

