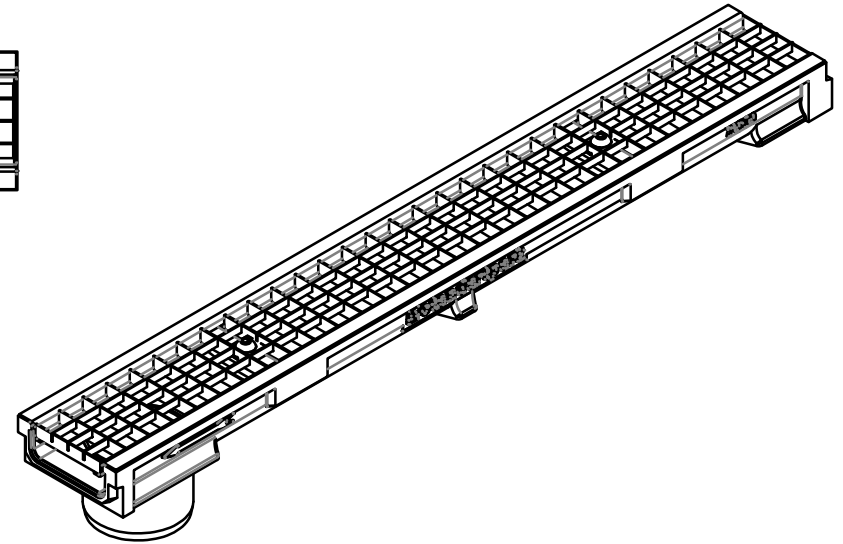
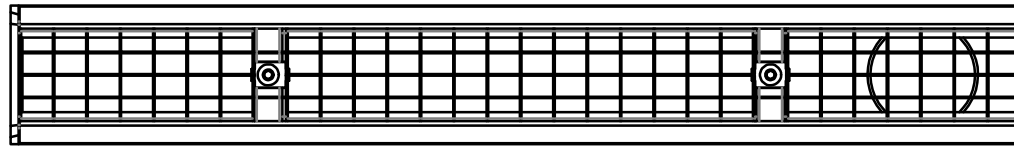
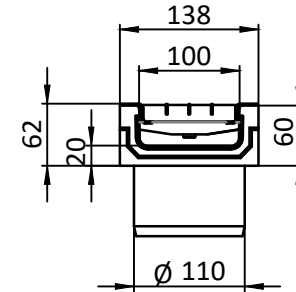
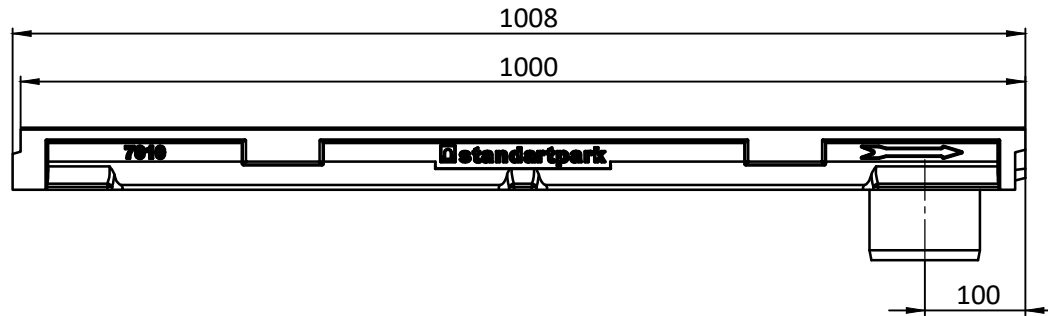


0701009202026



					<b>Polymer Concrete Channel with grating mesh</b>			
Rev	Sheet	Doc. No.	Sign.	Date	<b>0701009202026</b>	Let.	Weight	Scale
				10.05.17			9.1	1:5
Dvlpd by	Kozhukh O.				<b>Load Class B</b>		Sheet	Sheets 1
Chkd by	Neagoe R.				Polymer Concrete, Steel			
Contact	tehnic@standartpark.ro							