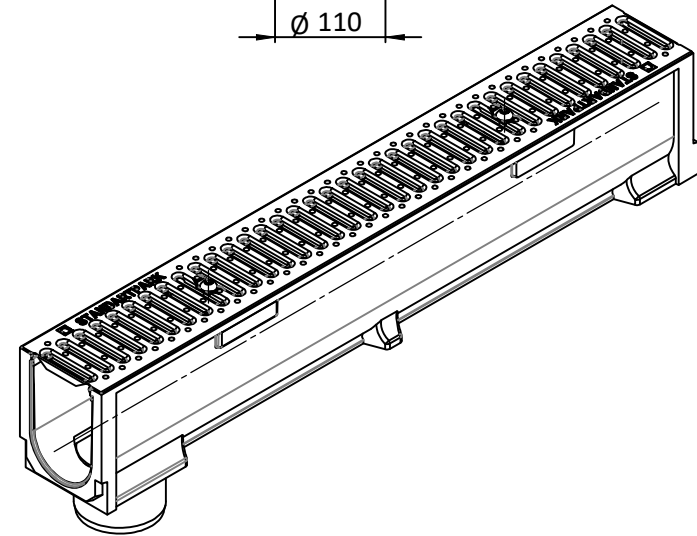
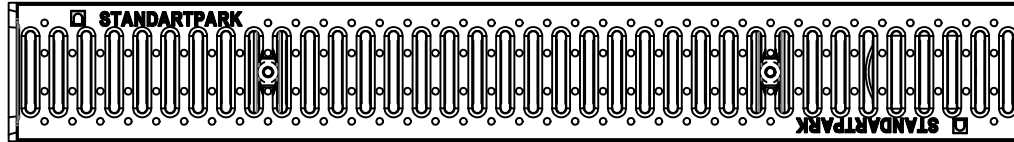
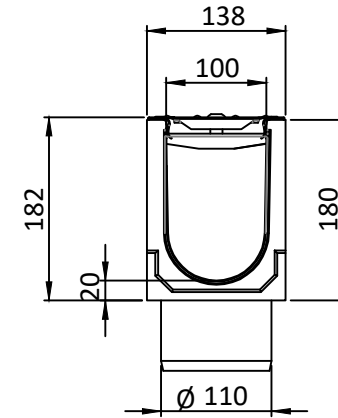
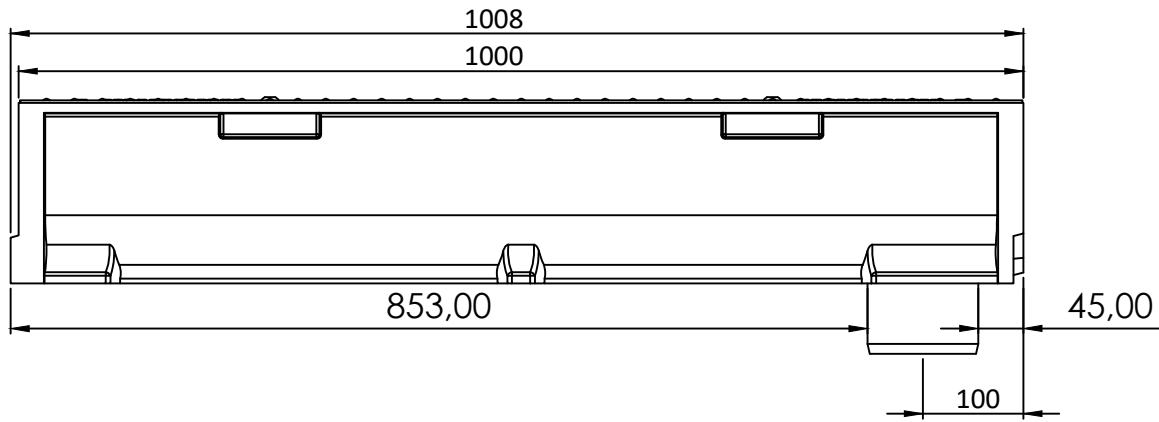


070500920101



				Polymer Concrete Channel with grating slotted			
Rev	Sheet	Doc. No.	Sign.	Date	Let.	Weight	Scale
				10.05.17		15.8	1:5
				070500920101			
				Load Class A			
				Sheet		Sheets 1	
				Polymer Concrete, Steel			
				Contact tehnic@standartpark.ro			