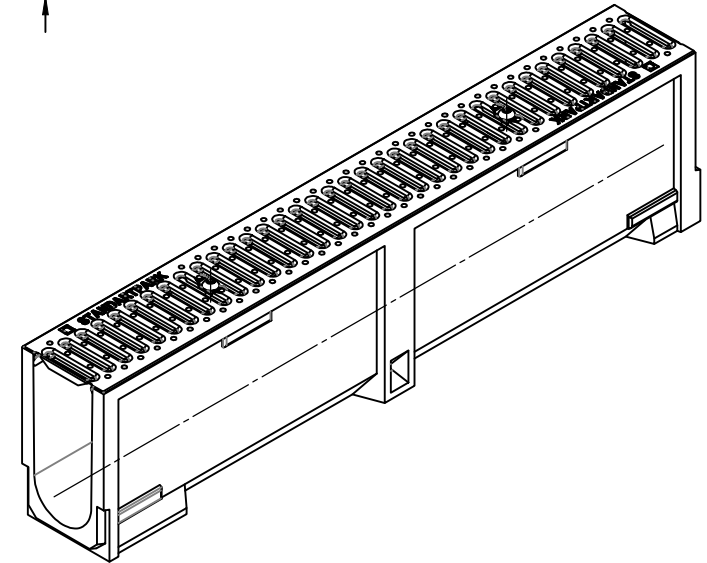
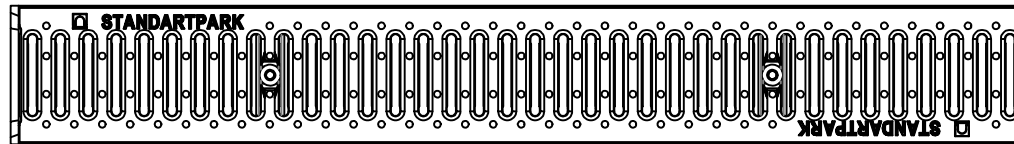
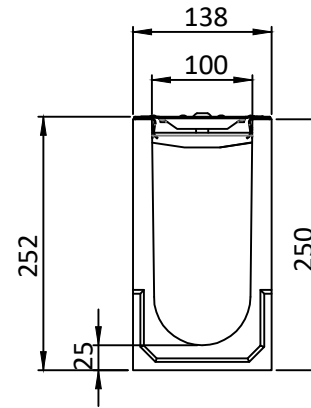
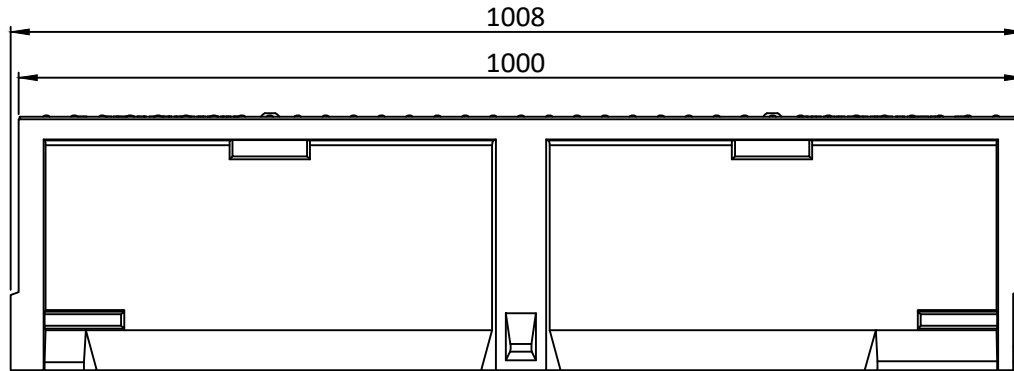


0706020101



				Polymer Concrete Channel with grating slotted			
Rev	Sheet	Doc. No.	Sign.	Data	Let.	Weight	Scale
				10.05.17		20.4	1:5
Dvlpd by Kozhukh O.				0706020101 Load Class A			
Chkd by Neagoe R.							
Contact tehnic@standartpark.ro				Polymer Concrete, Steel			