
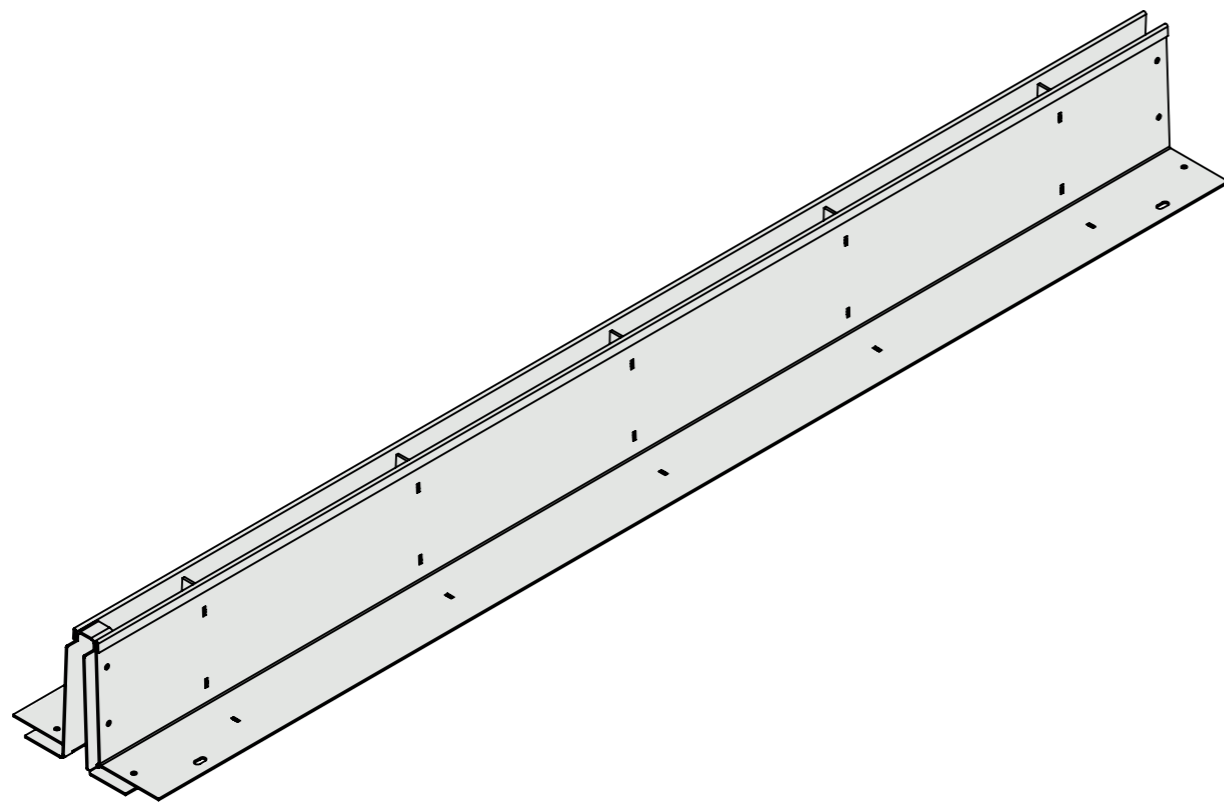
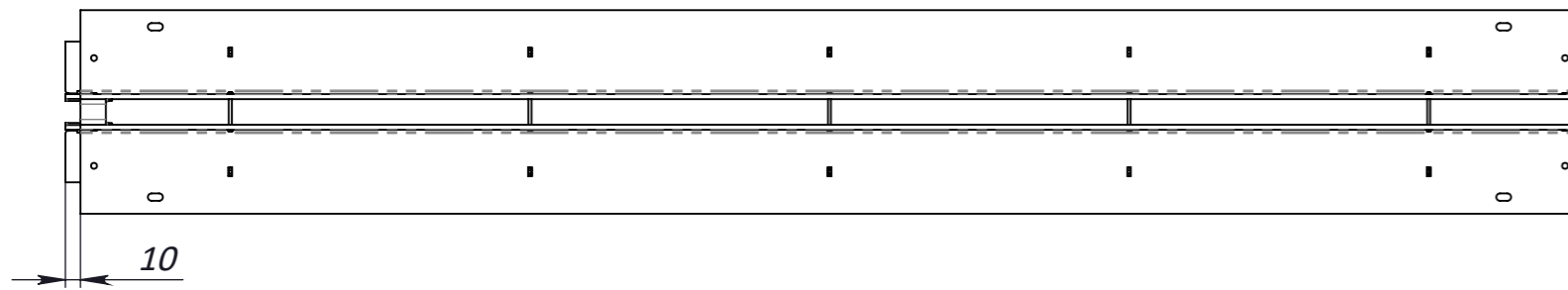
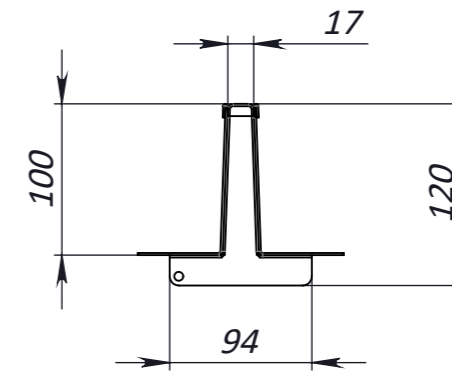
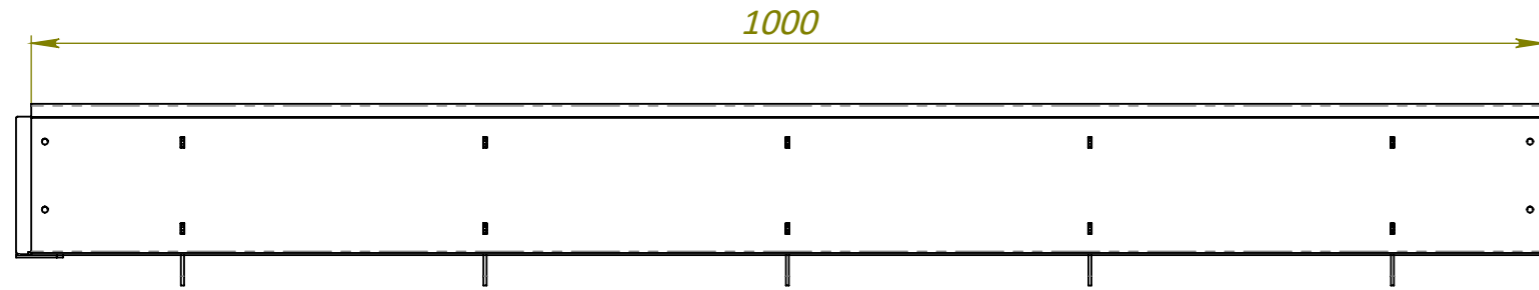


1. Deviation of the actual weight of the nominal can be up to 8%

UNLESS OTHERWISE SPECIFIED: DIMENSIONS ARE IN MILLIMETERS SURFACE FINISH: TOLERANCES: ISO 2768-c LINEAR: ANGULAR:			FINISH:		DEBURR AND BREAK SHARP EDGES		DO NOT SCALE DRAWING		REVISION			
							 TITLE: Plastic channel Base DN100 H150 Load class: C250					
DRAWN		LIL	SIGNATURE		DATE				07.07.22			
CHK'D		LMK										
APPV'D												
MFG												
Q.A							MATERIAL:		ARTICLE:			
							Plastic		8000-M (80150)			
							WEIGHT: 1.95 kg		SCALE: 1:5			
									SHEET 1 OF 1			

A3



1. Dimensions for reference.
2. Hot dip galvanized according to ISO 1461:2009.
3. Delivery and packaging are carried out in accordance with the terms of the contract
4. The manufacturer reserves the right, without notice to the consumer, to make changes to the design of the products for improvement of their technological and operational parameters, which will not affect the quality and properties of the product.
5. Load class can be achieved according to intallation scheme.

UNLESS OTHERWISE SPECIFIED: DIMENSIONS ARE IN MILLIMETERS SURFACE FINISH: TOLERANCES: ISO 2768-m LINEAR: ANGULAR:			FINISH: Hot dip galvanized		DEBURR AND BREAK SHARP EDGES		DO NOT SCALE DRAWING		REVISION V.3		
							TITLE: Galvanized Steel Slot Drain T-type H100 Base DN100 Channel A15- C250 Load class A15-C250				
DRAWN Markovych			SIGNATURE		DATE 15.08.22		ARTICLE: 2017-1T-100		A3		
CHK'D							MATERIAL: Galvanized Steel		SCALE:1:5		
APPV'D							WEIGHT: 4.18 kg		SHEET 1 OF 1		
MFG											
Q.A											