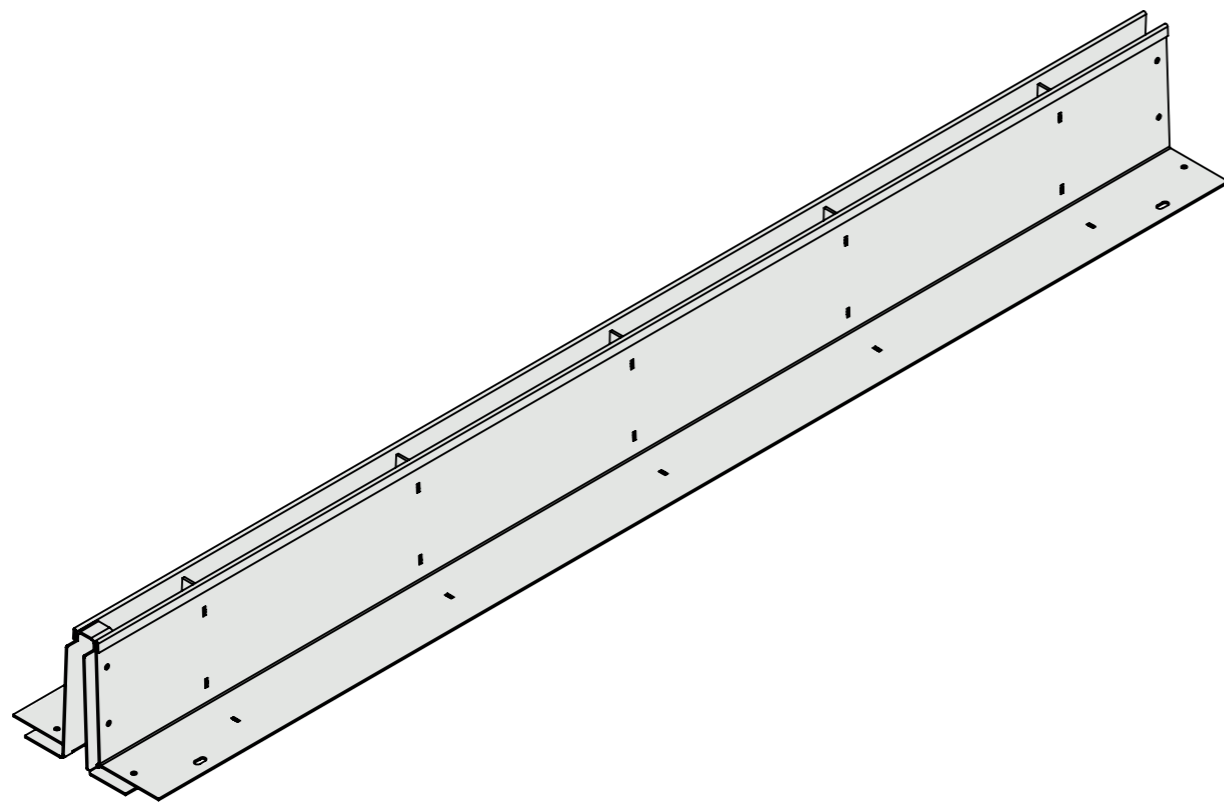
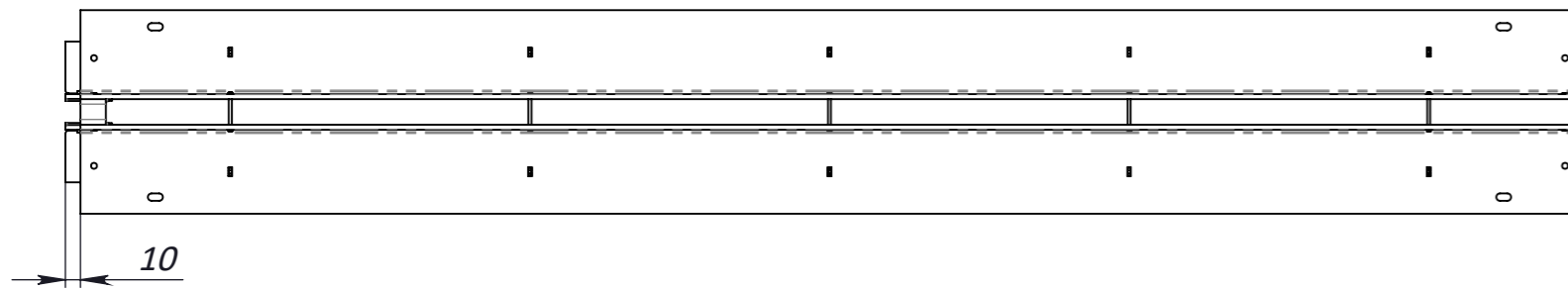
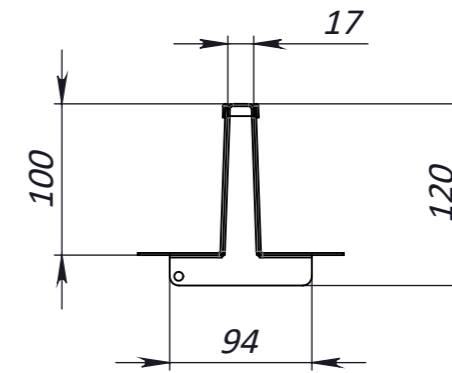
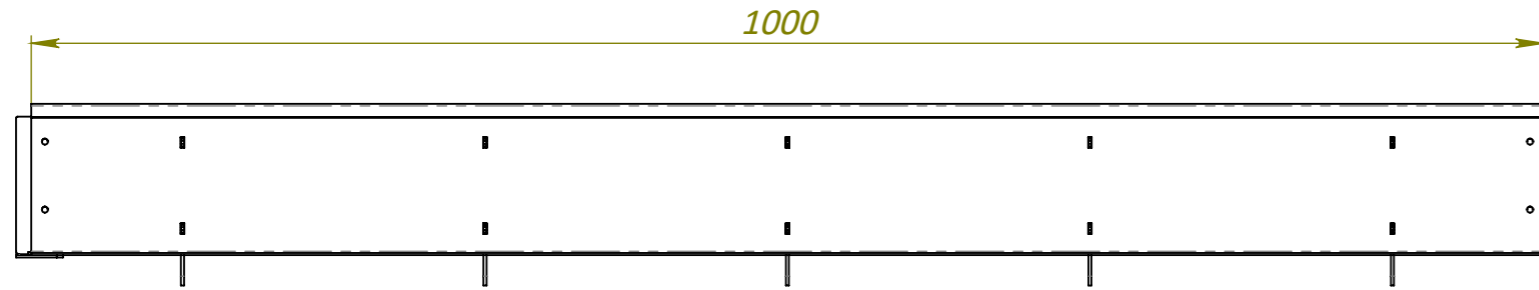


1. Deviation of the actual weight of the nominal can be up to 8%

UNLESS OTHERWISE SPECIFIED: DIMENSIONS ARE IN MILLIMETERS SURFACE FINISH: TOLERANCES: ISO 2768-c LINEAR: ANGULAR:				FINISH:		DO NOT SCALE DRAWING		REVISION	
						TITLE: Plastic channel Base DN100 H120			
						Load class: C250			
				MATERIAL: Plastic		ARTICLE: 80120		A3	
				WEIGHT: 1.64 kg		SCALE: 1:5		SHEET 1 OF 1	
DRAWN L/L		SIGNATURE		DATE 30.06.22					
CHK'D LMK									
APPV'D									
MFG									
Q.A									



1. Dimensions for reference.
2. Hot dip galvanized according to ISO 1461:2009.
3. Delivery and packaging are carried out in accordance with the terms of the contract
4. The manufacturer reserves the right, without notice to the consumer, to make changes to the design of the products for improvement of their technological and operational parameters, which will not affect the quality and properties of the product.
5. Load class can be achieved according to intallation scheme.

UNLESS OTHERWISE SPECIFIED: DIMENSIONS ARE IN MILLIMETERS SURFACE FINISH: TOLERANCES: ISO 2768-m LINEAR: ANGULAR:		FINISH: Hot dip galvanized		DEBURR AND BREAK SHARP EDGES		DO NOT SCALE DRAWING		REVISION V.3	
DRAWN Markovych		SIGNATURE		DATE 15.08.22		TITLE: Galvanized Steel Slot Drain T-type H100 Base DN100 Channel A15- C250 Load class A15-C250			
CHK'D		APPV'D		MFG		MATERIAL: Galvanized Steel		ARTICLE: 2017-1T-100	
Q.A		WEIGHT: 4.18 kg		SCALE: 1:5		SHEET 1 OF 1		A3	