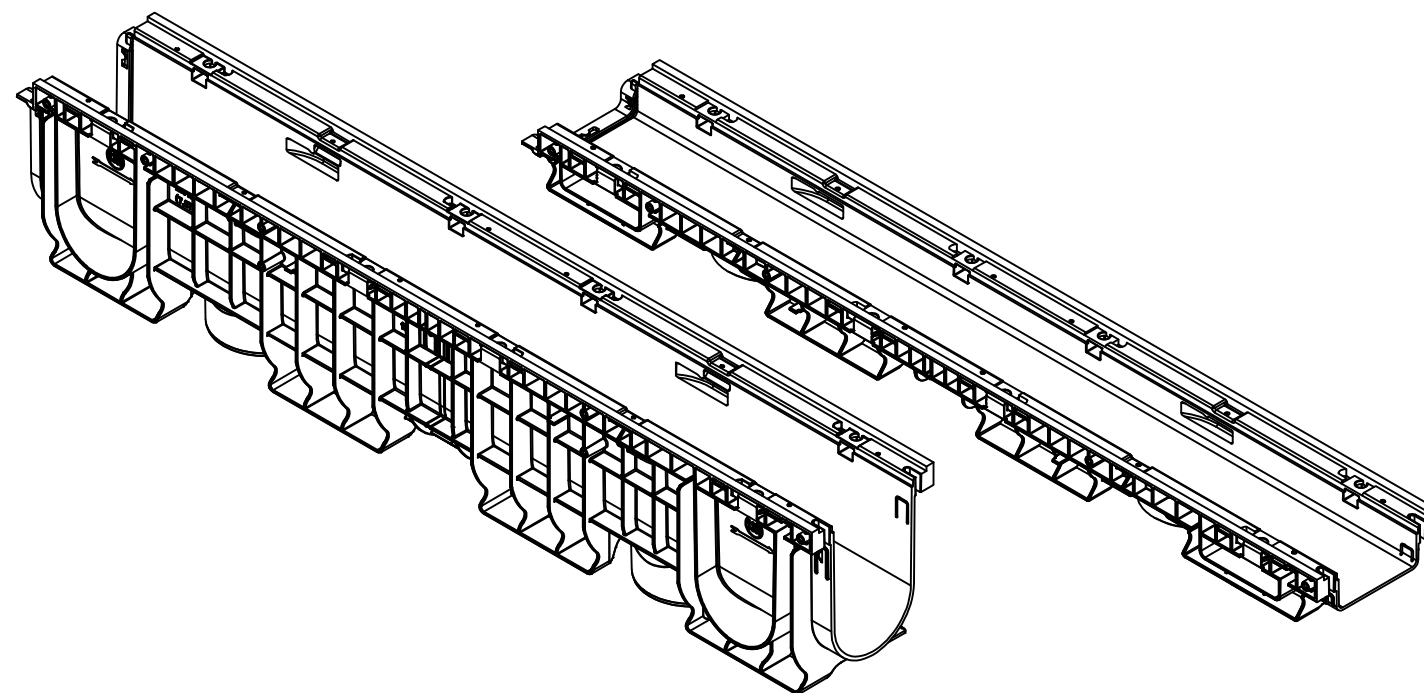
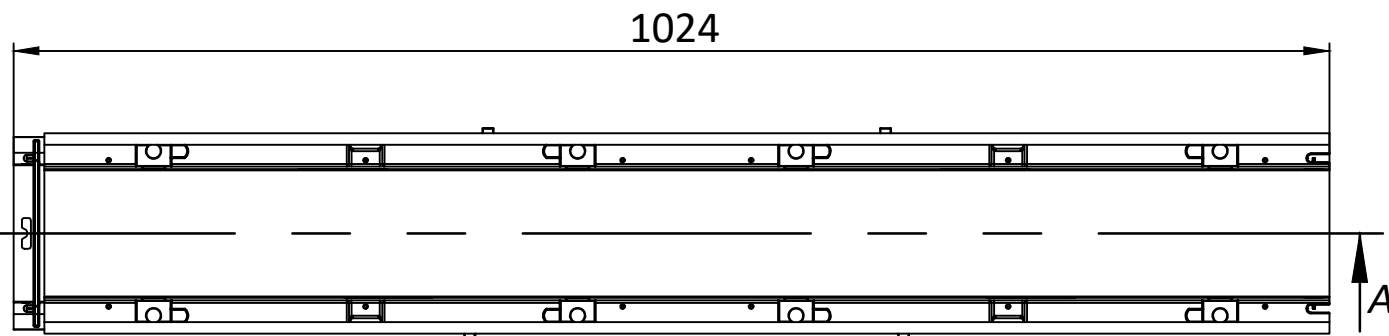
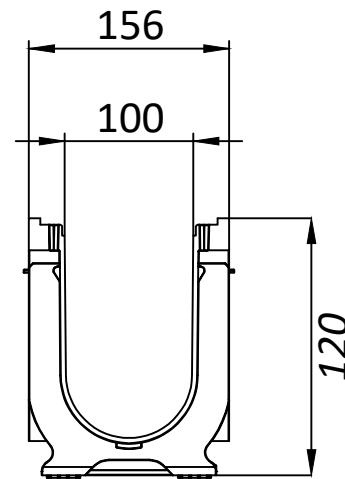


Channel: H100-H200



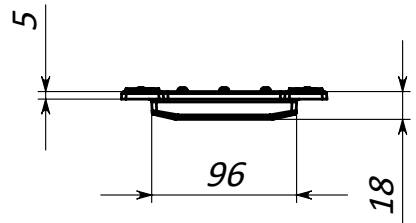
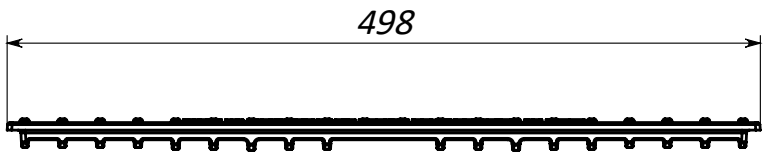
1. Deviation of the actual weight of the nominal can be up to 8%

UNLESS OTHERWISE SPECIFIED: FINISH: DIMENSIONS ARE IN MILLIMETERS SURFACE FINISH: TOLERANCES: ISO 2768-c LINEAR: ANGULAR:				DO NOT SCALE DRAWING		REVISION	
				TITLE: Plastic channel Base LN100 Hext.120			
				Load class: C250			
NAME		SIGNATURE		DATE		ARTICLE: 8020 (80120)	
DRAWN: PSM				08.12.23		A3	
CHK'D: PMK							
APPV'D							
MFG							
Q.A				MATERIAL:			
				WEIGHT: 1.64		SCALE: 1:5	
						SHEET 1 OF 1	

6 5 4 3 2 1

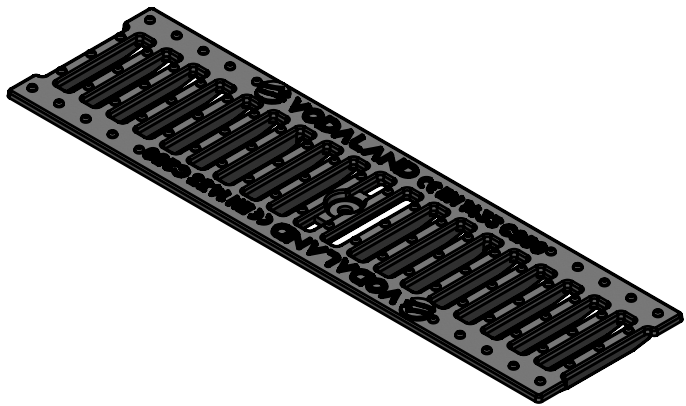
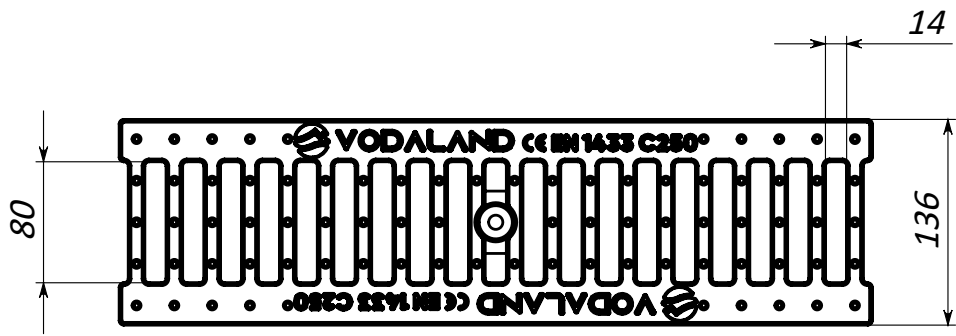
D

D



C

C



B

B

1. Area of water intake slots 210.32 sq cm ;
2. Deviation of the actual weight of the nominal can be up to 10%

A

A

UNLESS OTHERWISE SPECIFIED: DIMENSIONS ARE IN MILLIMETERS SURFACE FINISH: TOLERANCES: ISO 2768-c LINEAR: ANGULAR:				FINISH:		DO NOT SCALE DRAWING		REVISION	
						TITLE: Cast iron grate Base DN100 slotted C250 anti-slip			
						Load class: C250			
				MATERIAL: Cast iron		Article: 203031 (20303)		A4	
				WEIGHT: 2.68 kg		SCALE:1:5		SHEET 1 OF 1	

6 5 4 3 2 1