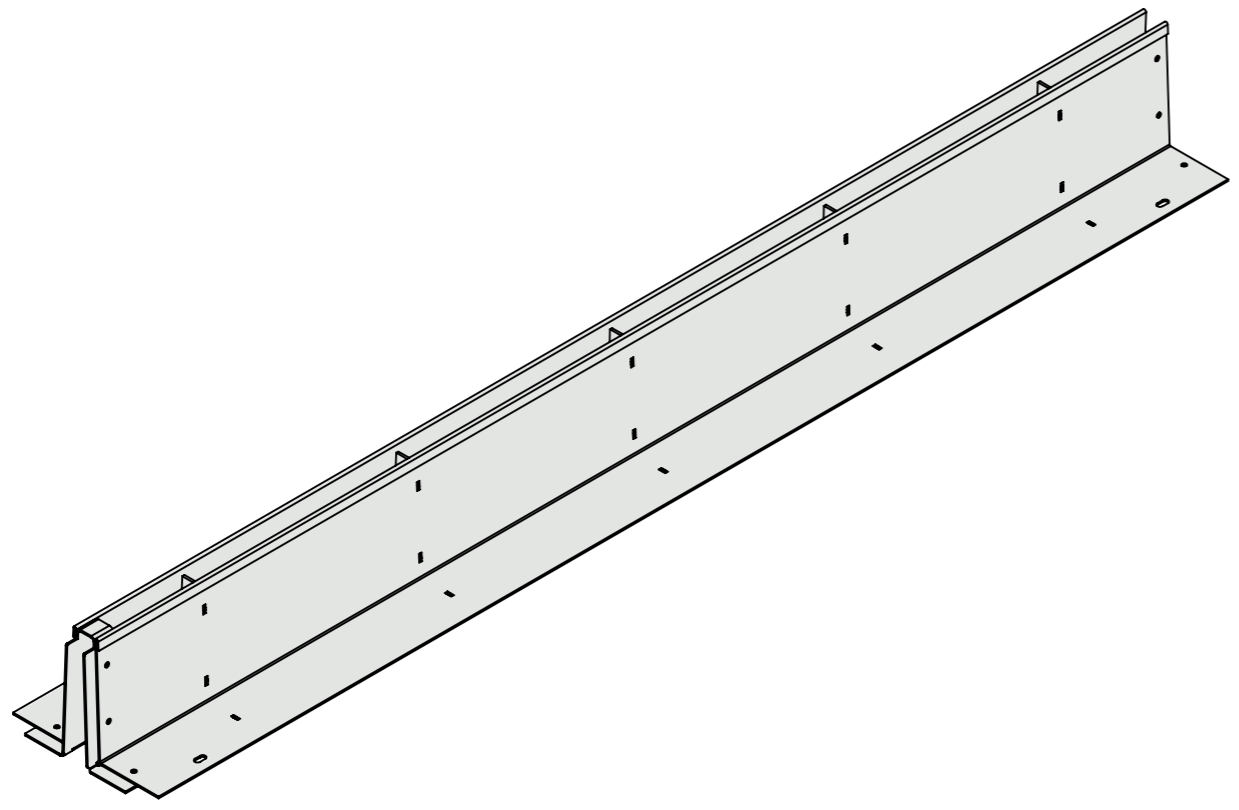
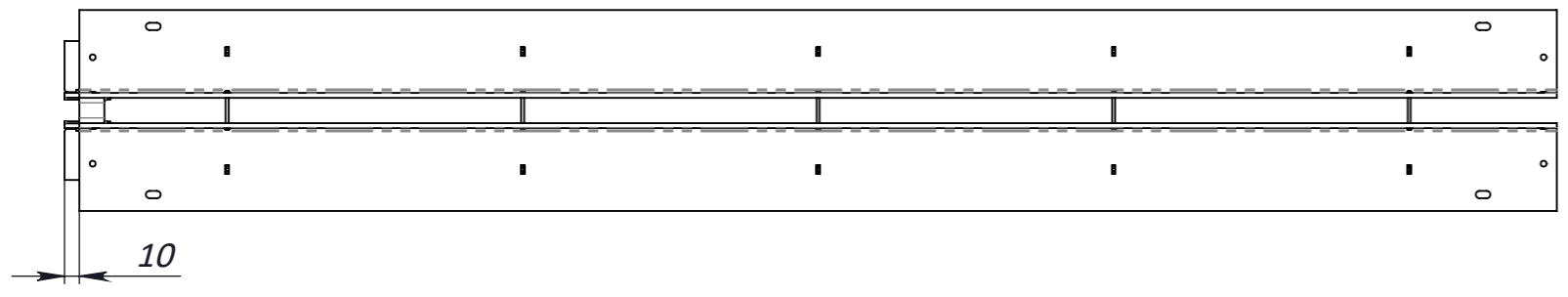
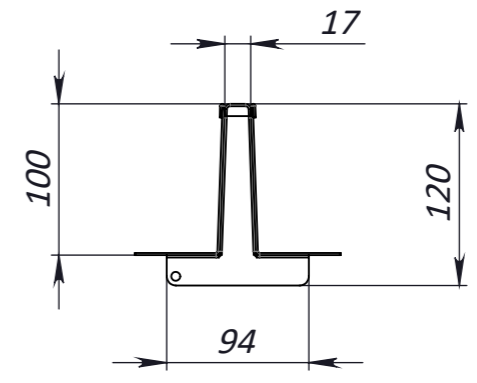
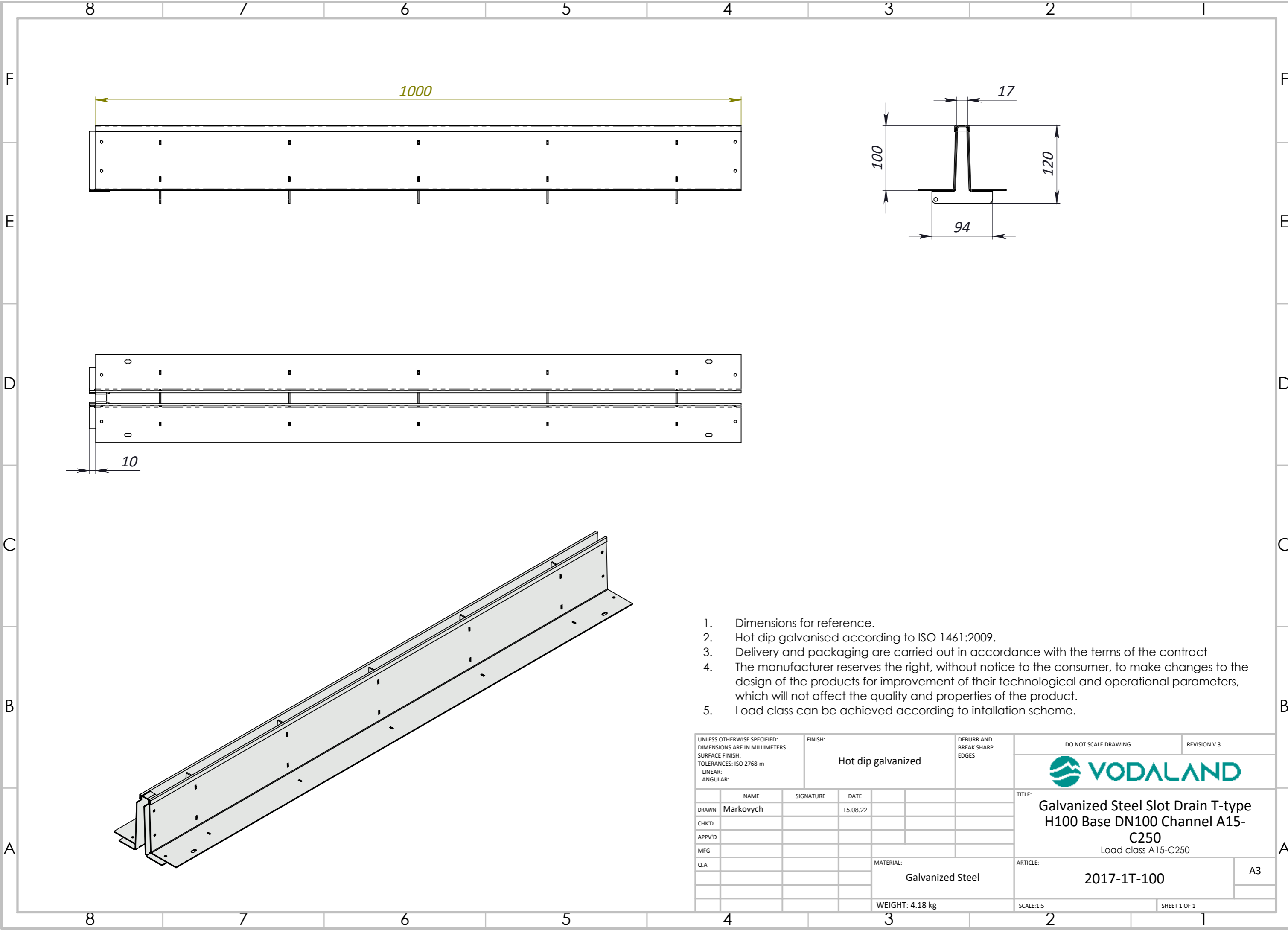



1. Deviation of the actual weight of the nominal can be up to 8%

UNLESS OTHERWISE SPECIFIED: DIMENSIONS ARE IN MILLIMETERS SURFACE FINISH: TOLERANCES: ISO 2768-c LINEAR: ANGULAR:				FINISH:		DO NOT SCALE DRAWING		REVISION	
						TITLE: Plastic channel Base DN100 H200			
						Load class: C250			
				MATERIAL: Plastic		ARTICLE: 8040-M (80200)		A3	
				WEIGHT: 2.44 kg		SCALE: 1:5		SHEET 1 OF 1	
DRAWN	L/L		30.06.22						
CHK'D	LMK								
APPV'D									
MFG									
Q.A									



1. Dimensions for reference.
2. Hot dip galvanized according to ISO 1461:2009.
3. Delivery and packaging are carried out in accordance with the terms of the contract
4. The manufacturer reserves the right, without notice to the consumer, to make changes to the design of the products for improvement of their technological and operational parameters, which will not affect the quality and properties of the product.
5. Load class can be achieved according to intallation scheme.

UNLESS OTHERWISE SPECIFIED: DIMENSIONS ARE IN MILLIMETERS SURFACE FINISH: TOLERANCES: ISO 2768-m LINEAR: ANGULAR:		FINISH: <b>Hot dip galvanized</b>		DEBURR AND BREAK SHARP EDGES		DO NOT SCALE DRAWING		REVISION V.3					
						 <b>Galvanized Steel Slot Drain T-type H100 Base DN100 Channel A15- C250</b> Load class A15-C250							
DRAWN		NAME		SIGNATURE						DATE		TITLE:	
CHK'D		Markovych								15.08.22			
APPV'D													
MFG													
Q.A								ARTICLE:					
						MATERIAL:		2017-1T-100					
						Galvanized Steel		A3					
						WEIGHT: 4.18 kg		SCALE:1:5					
								SHEET 1 OF 1					