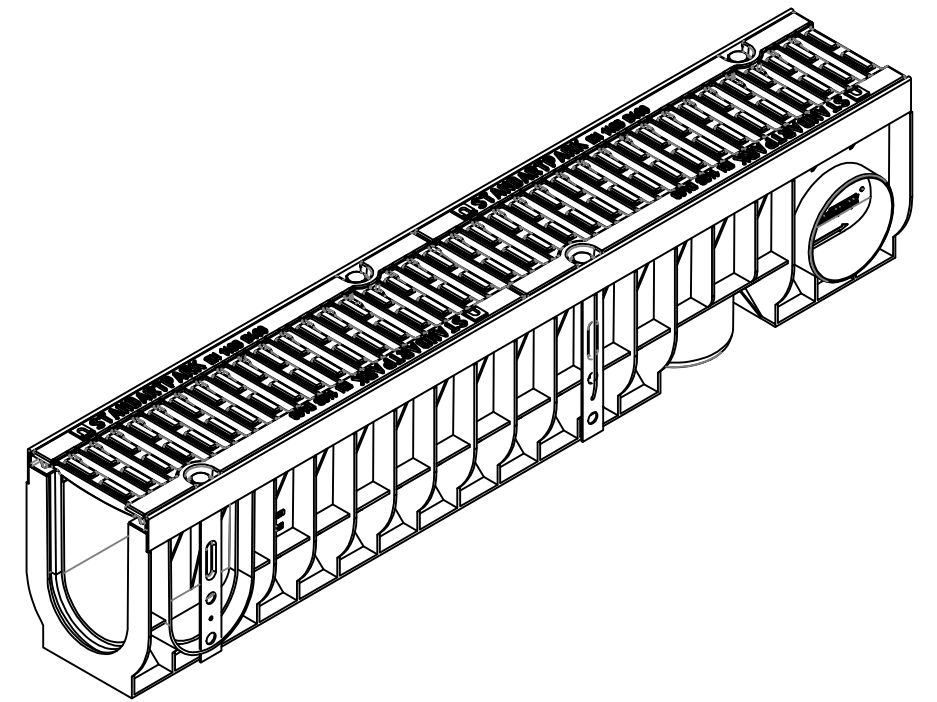
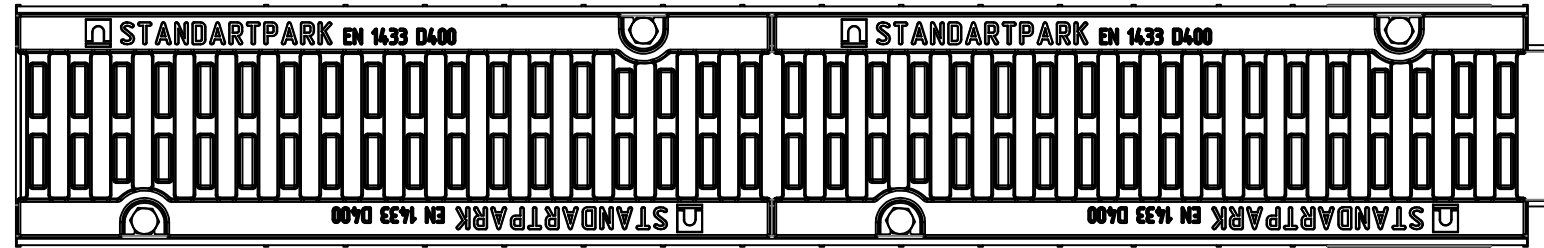
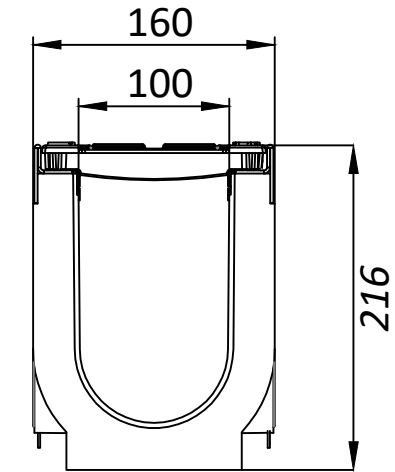
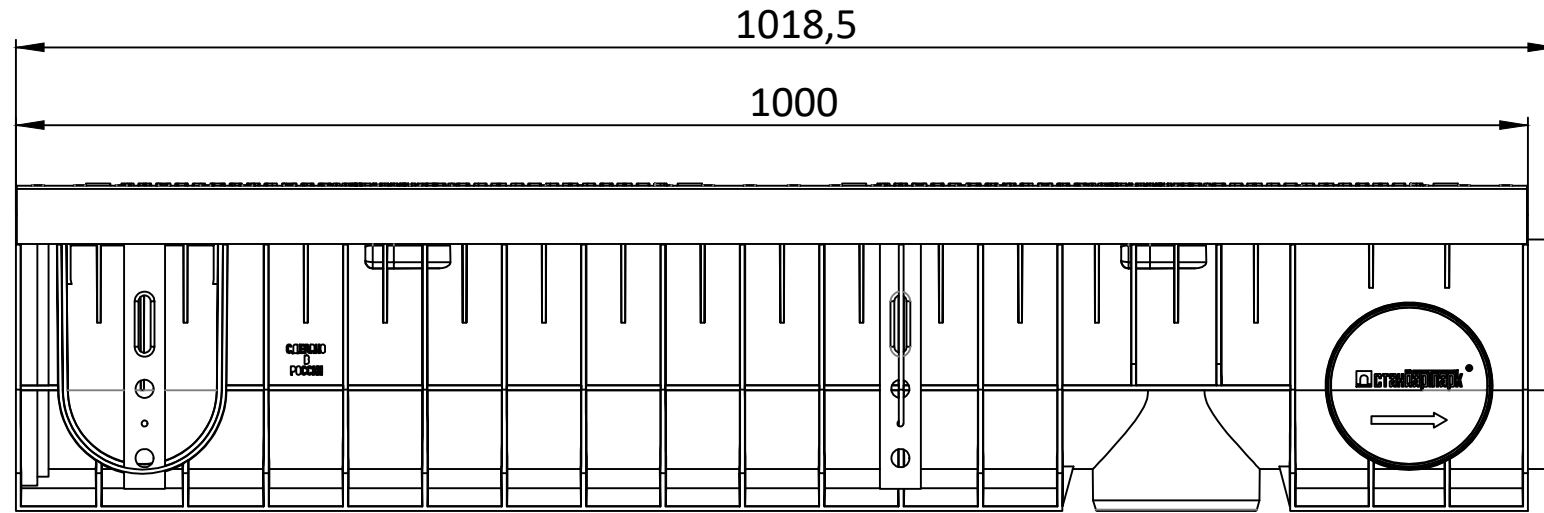


080434



					<i>Plastic Channel Drive with ductile cast iron grating</i>			Art. 080434
Rev.	Sheet	Doc. No.	Sign.	Data	<b>080434</b> <b>Load Class D</b>	Let.	Weight	Scale
				25.07.18			13.85	1:5
						Dvlpd by Kozhukh O.	Sheet	Sheets 1
					Chkd by Neagoe R.			
					Contact tehnic@vodaland.ro			

Plastic, Steel,  
Ductile Cast Iron



Copied by

Size A3