
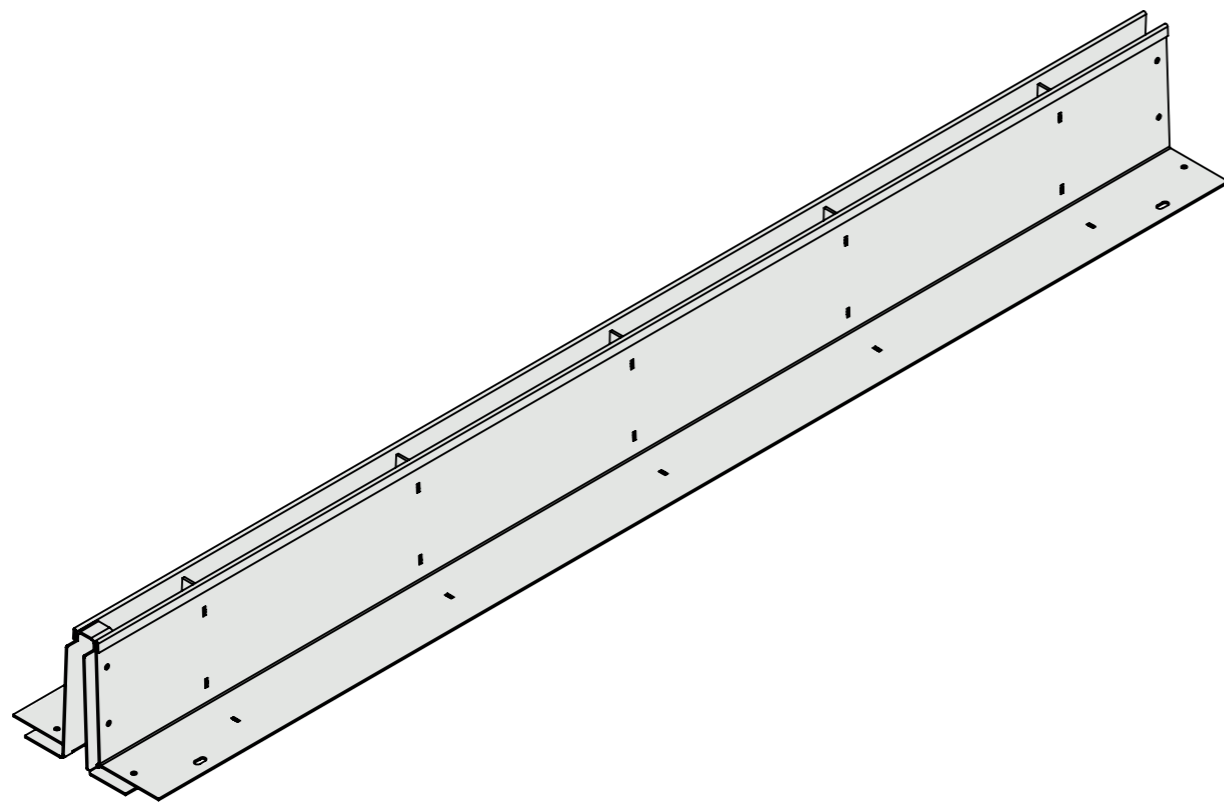
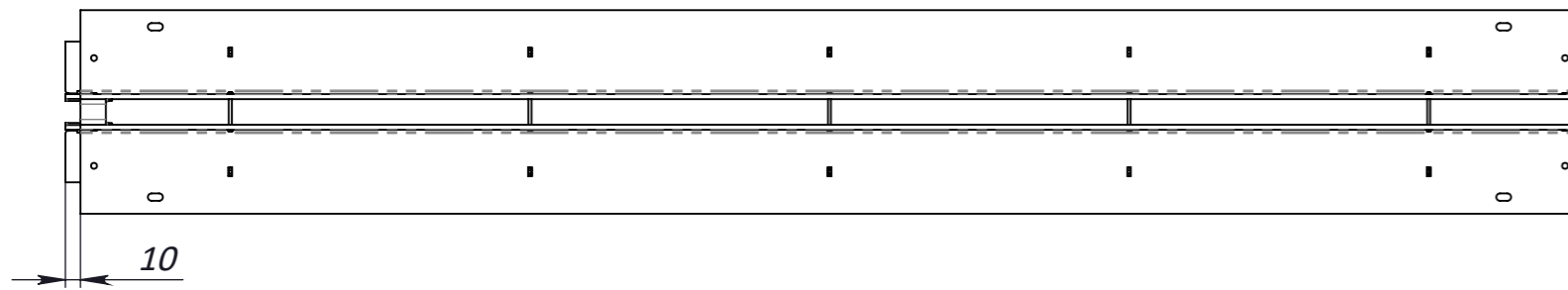
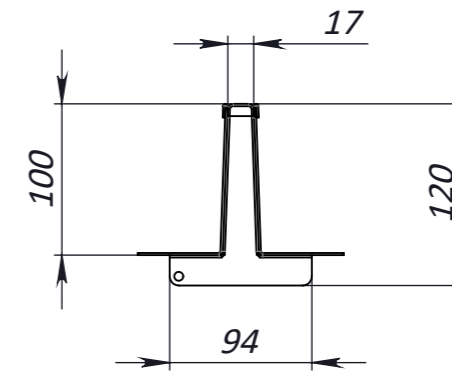
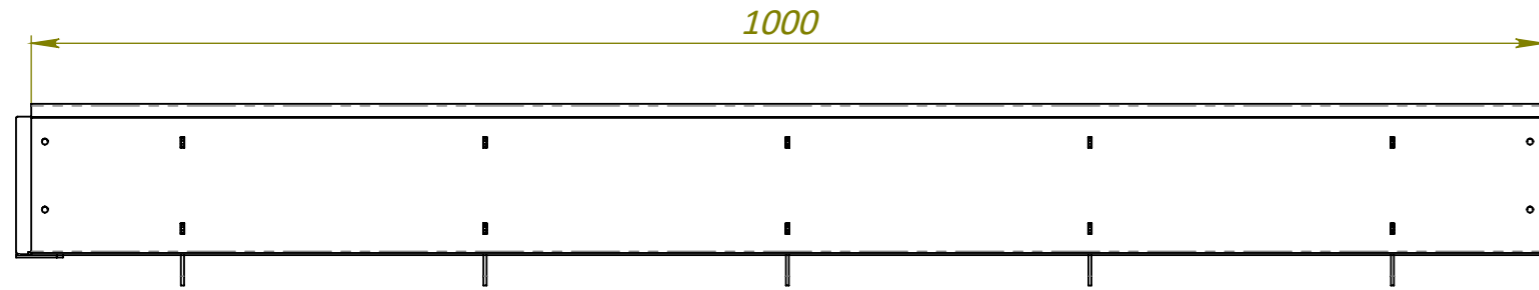



1. Deviation of the actual weight of the nominal can be up to 8%

UNLESS OTHERWISE SPECIFIED: DIMENSIONS ARE IN MILLIMETERS SURFACE FINISH: TOLERANCES: 2768-c LINEAR: ANGULAR:			FINISH:		DEBURR AND BREAK SHARP EDGES		DO NOT SCALE DRAWING		REVISION			
							 VODALAND TITLE: Plastic channel Base DN100 H60 Load class: C250 ARTICLE: 8050-M1 (80060)		A3			
DRAWN			L/L		DATE				04.07.22			
CHK'D			LMK									
APPV'D												
MFG												
Q.A					MATERIAL:		Plastic		WEIGHT: 1.09 kg			
							SCALE: 1:5		SHEET 1 OF 1			



1. Dimensions for reference.
2. Hot dip galvanized according to ISO 1461:2009.
3. Delivery and packaging are carried out in accordance with the terms of the contract
4. The manufacturer reserves the right, without notice to the consumer, to make changes to the design of the products for improvement of their technological and operational parameters, which will not affect the quality and properties of the product.
5. Load class can be achieved according to intallation scheme.

UNLESS OTHERWISE SPECIFIED: DIMENSIONS ARE IN MILLIMETERS SURFACE FINISH: TOLERANCES: ISO 2768-m LINEAR: ANGULAR:		FINISH: Hot dip galvanized		DEBURR AND BREAK SHARP EDGES		DO NOT SCALE DRAWING		REVISION V.3			
						 Galvanized Steel Slot Drain T-type H100 Base DN100 Channel A15- C250 Load class A15-C250					
DRAWN		NAME		SIGNATURE						DATE	
CHK'D											
APPV'D											
MFG											
Q.A						MATERIAL:		ARTICLE:			
						Galvanized Steel		2017-1T-100			
						WEIGHT: 4.18 kg		SCALE:1:5			
								SHEET 1 OF 1			

A3