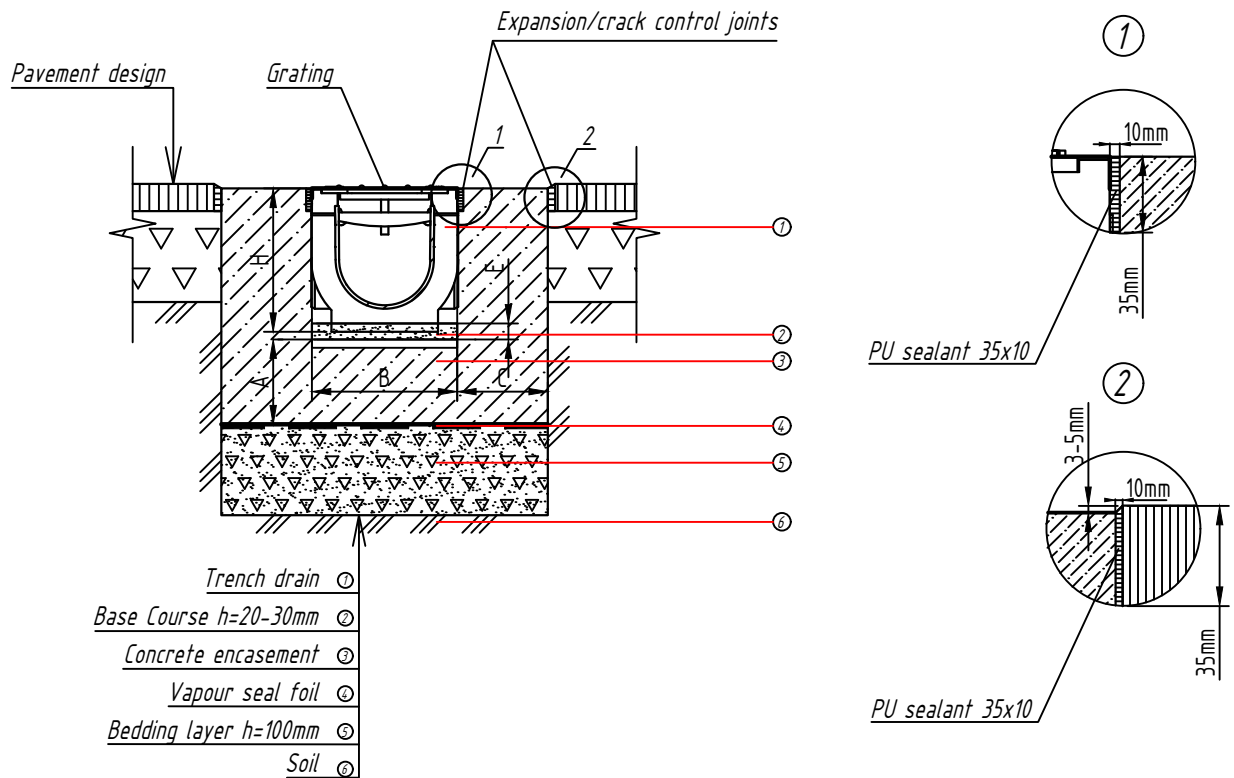


Installation of Base series plastic channels with a hydraulic cross-section DN100-500 into an asphalt concrete pavement



Recommended parameters of the Concrete encasement

Parameter	Load class		
	A 15	B 125	C250
Concrete encasement depth (A), mm	80	100	150
Concrete encasement width (C), mm	80	100	150
Compressive strength concrete class	C15/20	C20/25	C20/25

Notes

- Parameters of bedding layer, concrete encasements as well as necessity of reinforcement must be selected according to geological conditions of the site.
- If the line length of the trench drains line is more than 10m, expansion joints of the concrete encasement should be designed.
- During installation of the Base trench drains on the final position, pay attention to trench drain grate, it rises above the trench drain.
- For compensation of temperature influence and deformation fluctuations of the adjoining pavement, it is recommended to arrange, at a distance of 250-500mm from the edge of the trench drain, longitudinal temperature /expansion joint.
- Installation diagram is non-regulatory. Check updates on the Vodaland website.

PolyMax BASE DN100-500 Asphalt

PB18-201119

Typical installation scheme of the rain water collection system

Plastic trench drain Base series with hydraulic cross section DN100-500

18

Designed

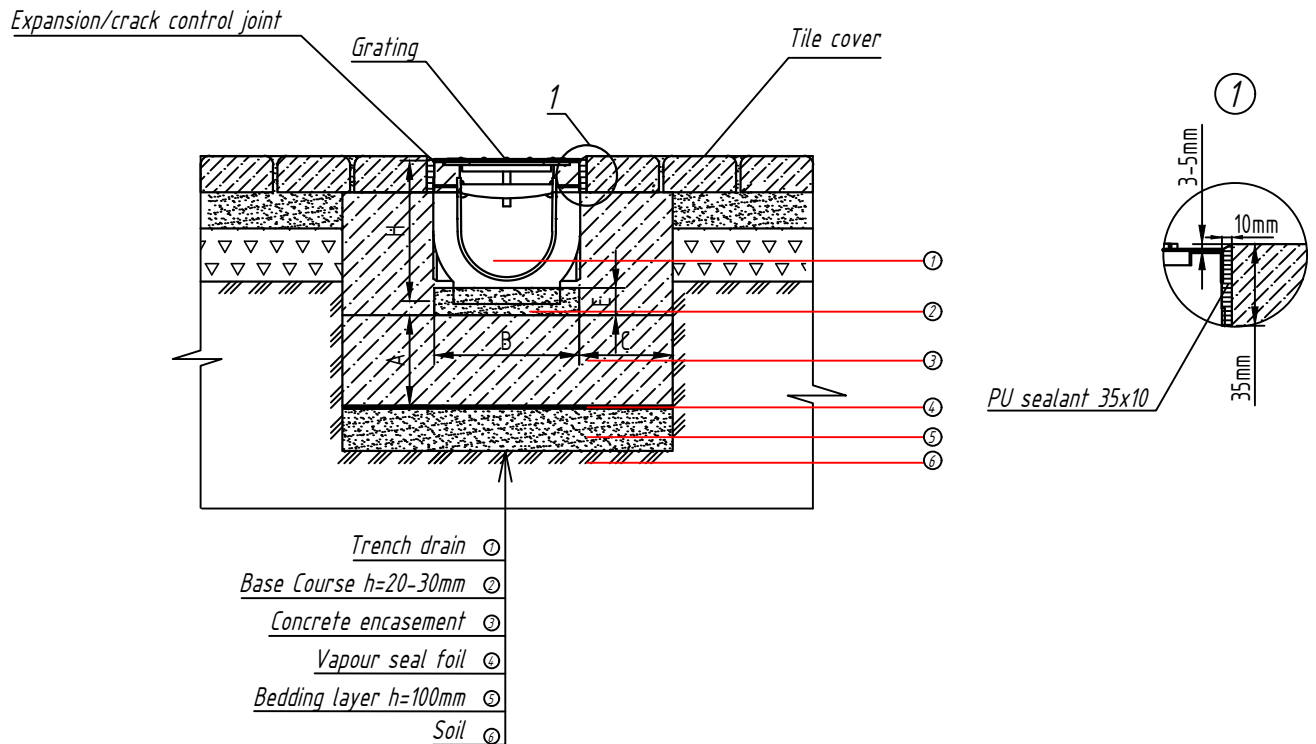
20.11.19

Checked

Asphalt pavement trench drain installation



Installation of Base series plastic channels with a hydraulic cross-section DN100-500 into a tile cover



Recommended parameters of the Concrete encasement

Parameter	Load class		
	A 15	B 125	C250
Concrete encasement depth (A), mm	80	100	150
Concrete encasement width (C), mm	80	100	150
Compressive strength concrete class	C15/20	C20/25	C20/25

Notes

1. Parameters of bedding layer, concrete encasements as well as necessity of reinforcement must be selected according to geological conditions of the site.
2. If the line length of the trench drains line is more than 10m, expansion joints of the concrete encasement should be designed.
3. During installation of the Base trench drains on the final position, pay attention to trench drain grate, it rises above the trench drain.
4. For compensation of temperature influence and deformation fluctuations of the adjoining pavement, it is recommended to arrange, at a distance of 250-500mm from the edge of the trench drain, longitudinal temperature /expansion joints.
5. Installation diagram is non-regulatory. Check updates on the Vodaland website.

PolyMax Base DN100-500 Tile cover

PB19-201119

Typical installation scheme of the rain water collection system

Plastic trench drain Base series with
hydraulic cross section DN100-500

19

Installation into tile cover

Designed

20.11.19

Checked