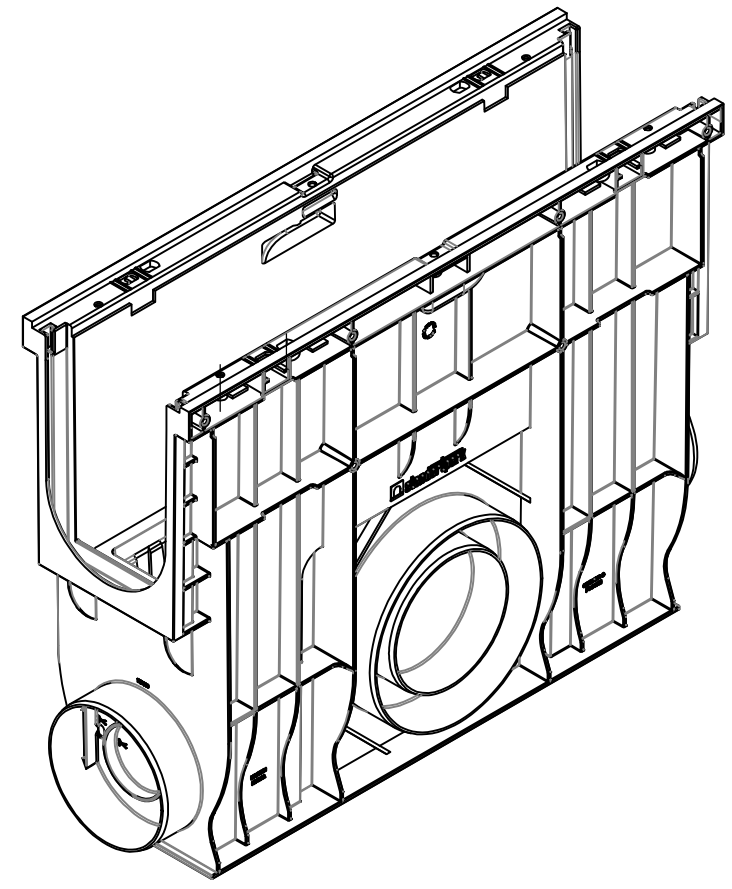
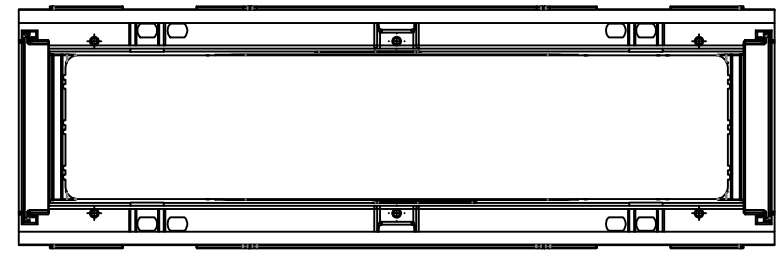
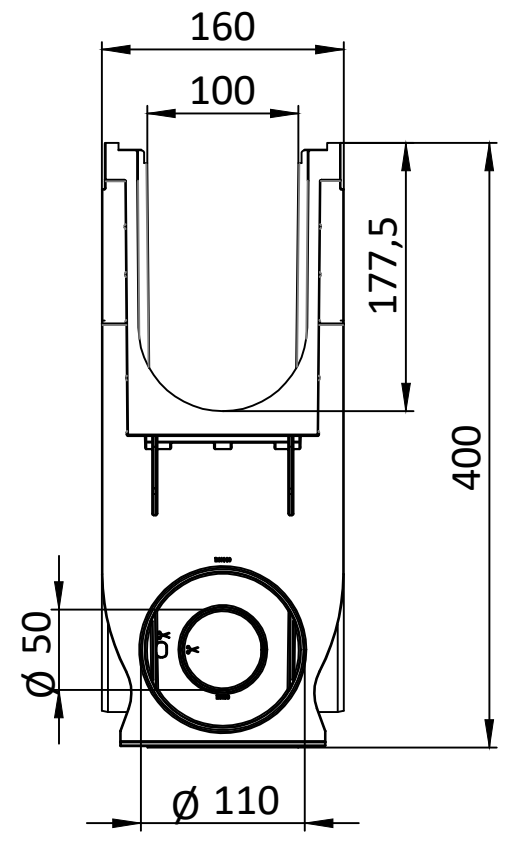
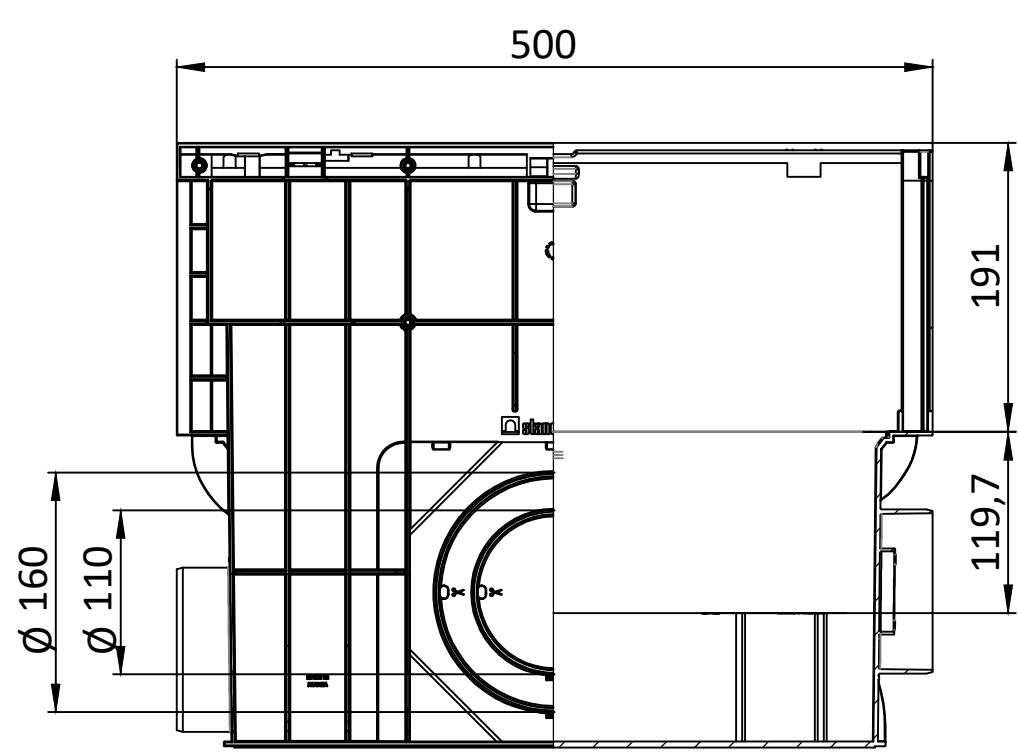



W-0808



					Art. 8080-M			
					Plastic Sand Trap			
Rev	Sheet	Doc. No.	Sign.	Data	8080-M	Let.	Weight	Scale
				25.07.18			4.2	1:5
		Kozhukh O.				Sheet	Sheets	1
		Neagoe R.			Plastic			

6

5

4

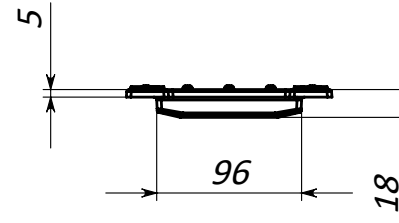
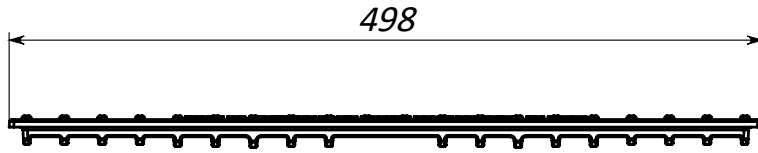
3

2

1

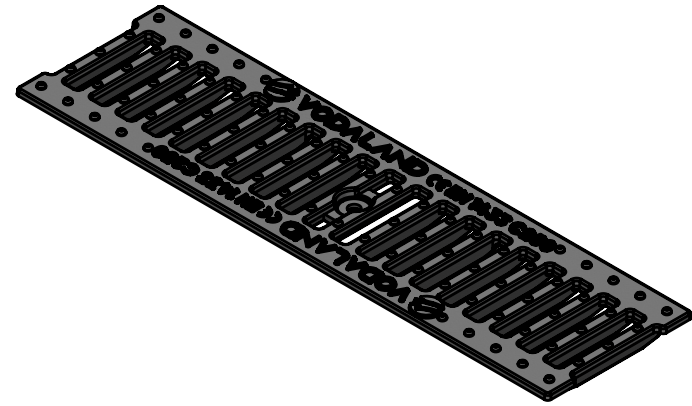
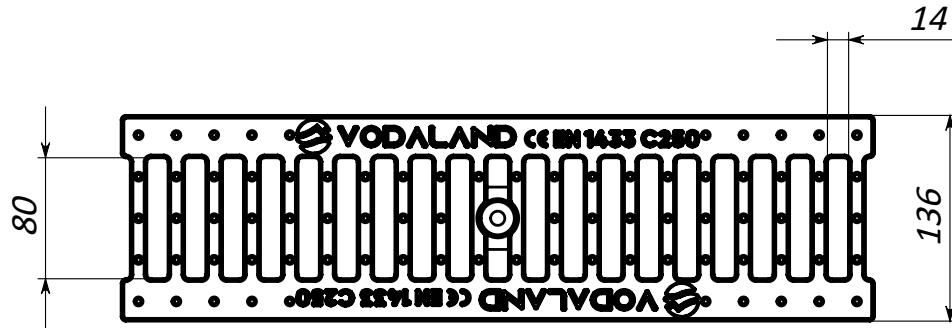
D

D



C

C



B

B

1. Area of water intake slots 210.32 sq cm ;
2. Deviation of the actual weight of the nominal can be up to 10%

A

A

UNLESS OTHERWISE SPECIFIED: DIMENSIONS ARE IN MILLIMETERS SURFACE FINISH: TOLERANCES: ISO 2768-c LINEAR: ANGULAR:				FINISH:		DO NOT SCALE DRAWING		REVISION	
						TITLE: Cast iron grate Base DN100 slotted C250 anti-slip			
						Load class: C250			
				MATERIAL: Cast iron		Article: 203031 (20303)		A4	
				WEIGHT: 2.68 kg		SCALE:1:5		SHEET 1 OF 1	

6

5

4

3

2

1