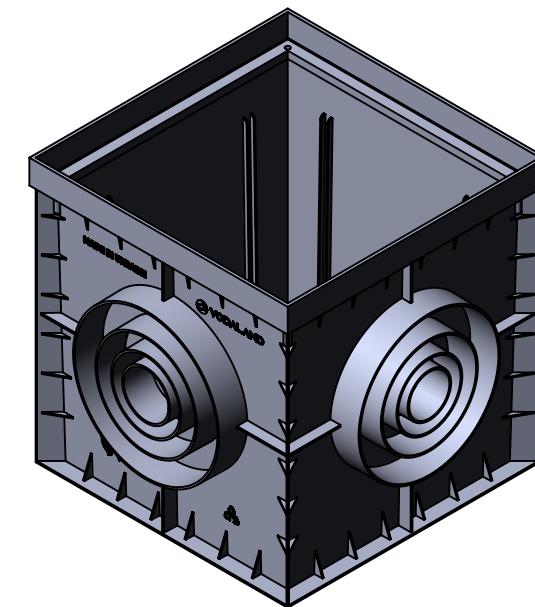
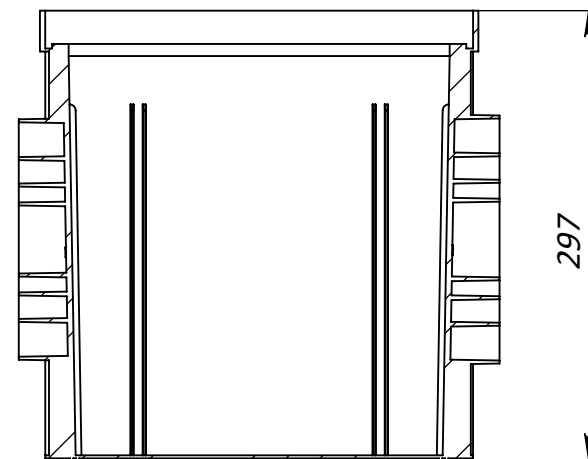
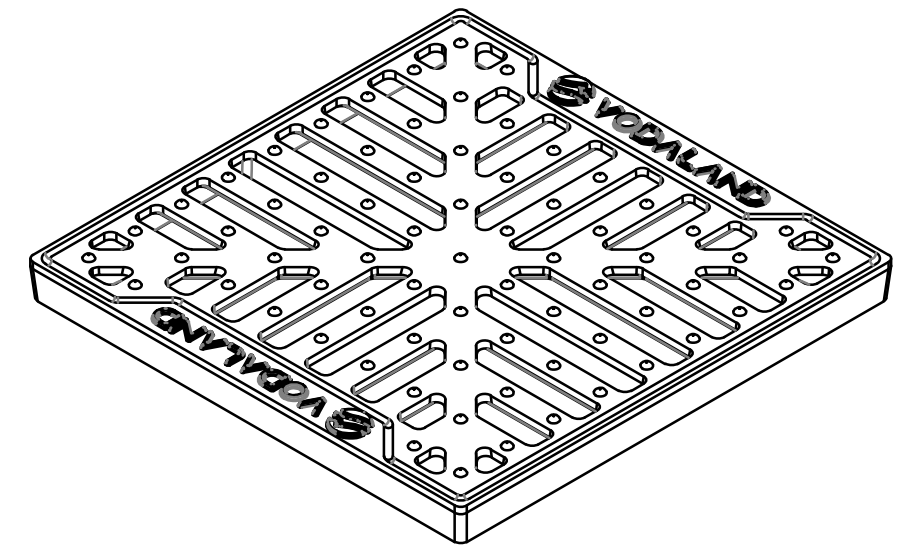
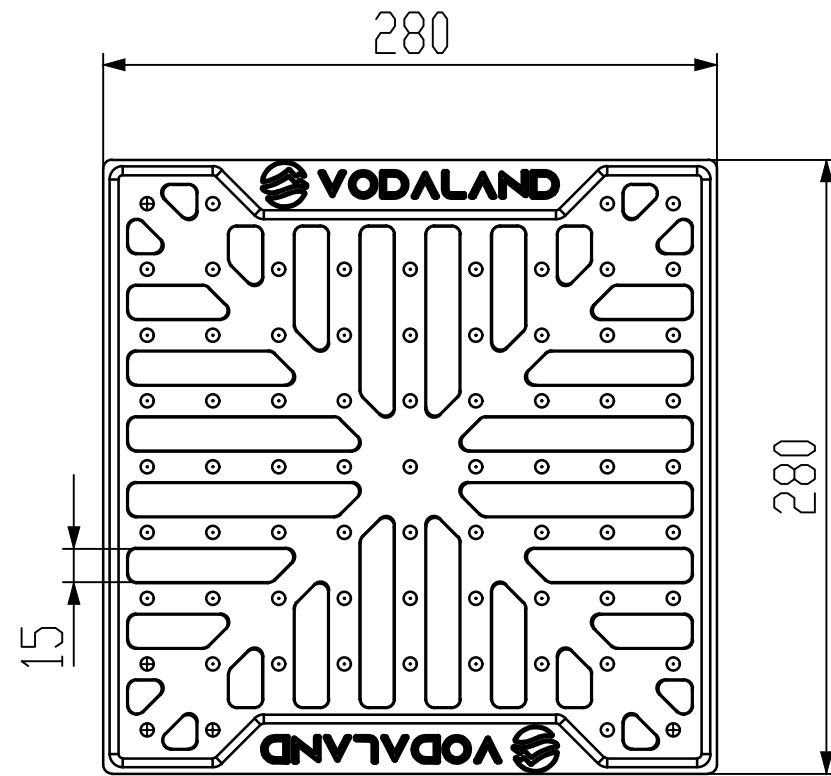


A-A




1. Deviation of the actual weight of the nominal can be up to 8%
2. * - inner dimensions of entrance outlets
3. ** - outer dimensions of exit outlets

UNLESS OTHERWISE SPECIFIED: DIMENSIONS ARE IN MILLIMETERS SURFACE FINISH: TOLERANCES: ISO 2768-c LINEAR: ANGULAR:			FINISH:		DO NOT SCALE DRAWING		REVISION		
					TITLE: Plastic catch basin Base 300x300 black				
DRAWN LYY			SIGNATURE		DATE 18.08.22		ARTICLE: 8370-N		
CHK'D LMK							A3		
APPV'D							SCALE: 1:5		
MFG							SHEET 1 OF 1		
Q.A					MATERIAL: Plastic		WEIGHT: 1,35 kg		



1. Area of water intake slots 257.66 sq cm;
2. Deviation of the actual weight of the nominal can be up to 10%

UNLESS OTHERWISE SPECIFIED: DIMENSIONS ARE IN MILLIMETERS SURFACE FINISH: TOLERANCES: ISO 2768-c LINEAR: ANGULAR:				FINISH		DO NOT SCALE DRAWING		REVISION	
									
	NAME	SIGNATURE	DATE			TITLE: Cast iron grate Base 300x300 snow flake R50 Load class: B125			
DRAWN	LMV		12.04.22						
CHK'D	LMK								
APPV'D									
MFG									
Q.A				MATERIAL:		Article:		A4	
				Cast iron		3334			
				WEIGHT: 3.34 kg		SCALE:1:5		SHEET 1 OF 1	