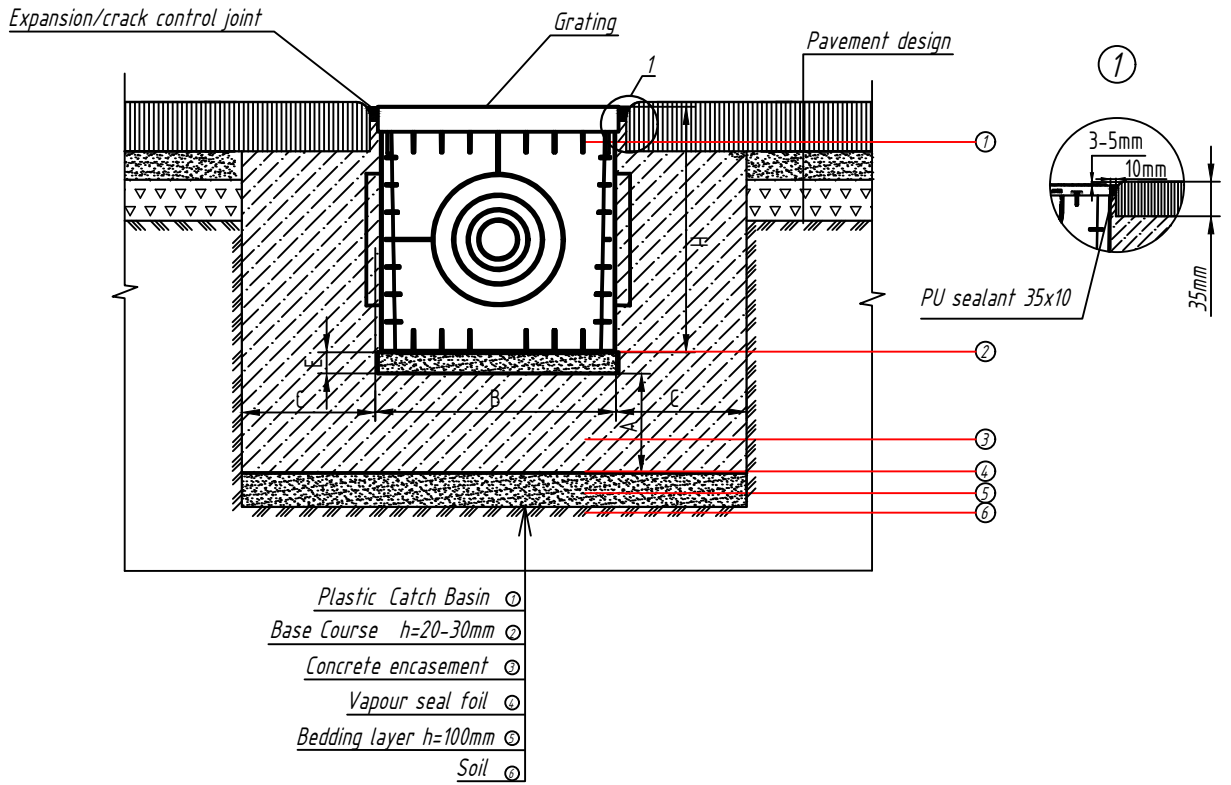


Installation of Base series plastic Catch Basin into an asphalt concrete pavement



Recommended parameters of the Concrete encasement

Parameter	Load class		
	A 15	B 125	C250
Concrete encasement depth (A), mm	80	100	150
Concrete encasement width (C), mm	80	100	150
Compressive strength concrete class	C15/20	C20/25	C20/25

Notes

1. Parameters of bedding layer, concrete encasements as well as necessity of reinforcement must be selected according to geological conditions of the site.

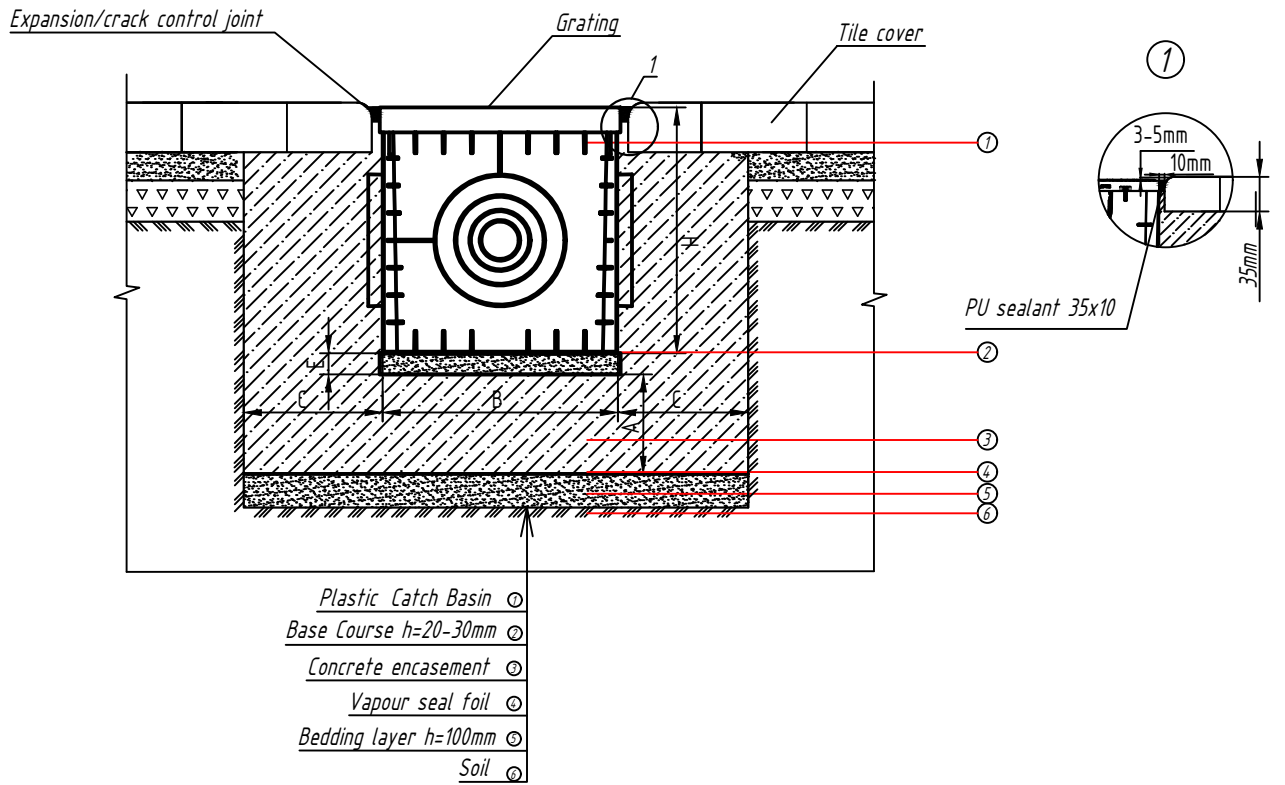
2. Installation diagram is non-regulatory. Check updates on the Vodaland website.

Base - Asphalt

Typical installation scheme of the rain water collection system

Designed		07.01.20	Plastic Catch Basin			
Checked						
Approved by			Installation into an asphalt concrete pavement			

Installation of Base series plastic Catch Basin into a tile cover



Recommended parameters of the Concrete encasement

Parameter	Load class		
	A 15	B 125	C250
Concrete encasement depth (A), mm	80	100	150
Concrete encasement width (C), mm	80	100	150
Compressive strength concrete class	C15/20	C20/25	C20/25

Notes

1. Parameters of bedding layer, concrete encasements as well as necessity of reinforcement must be selected according to geological conditions of the site.

2. Installation diagram is non-regulatory. Check updates on the Vodaland website.

Base - Tile cover

Typical installation scheme of the rain water collection system

Designed		07.01.20	Plastic Catch Basin			
Checked						
Approved by			Installation into tile cover			