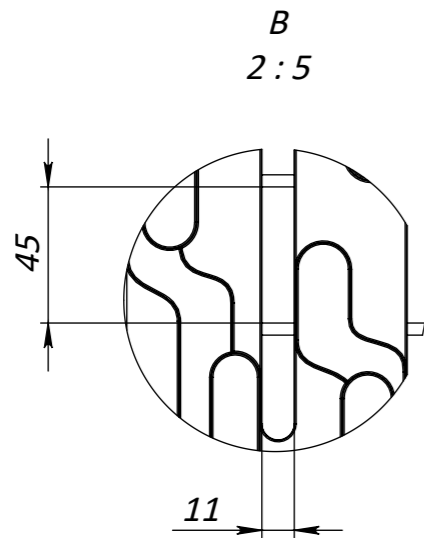
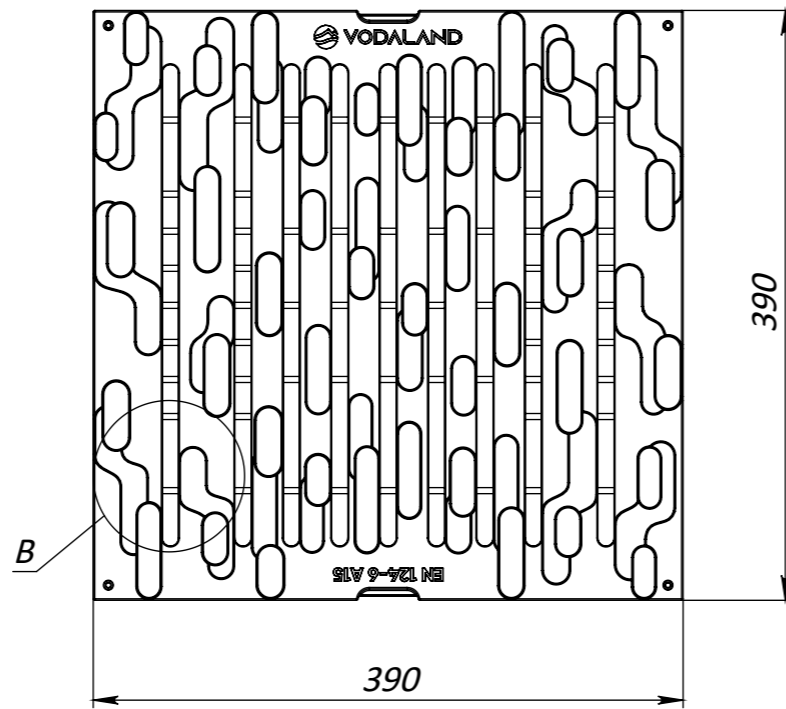


1. Deviation of the actual weight of the nominal can be up to 8%
2. \* - outer dimensions of exit outlets

UNLESS OTHERWISE SPECIFIED: DIMENSIONS ARE IN MILLIMETERS SURFACE FINISH: TOLERANCES: ISO 2768-c LINEAR: ANGULAR:			FINISH:		DO NOT SCALE DRAWING		REVISION		
					TITLE: Plastic catch basin Base 400x400 black with plastic basket				
DRAWN PSM			SIGNATURE		DATE 23.06.25		ARTICLE: 84701.9		
CHK'D PMK							A3		
APPV'D									
MFG									
Q.A					MATERIAL: Plastic		SCALE: 1:7		
					WEIGHT: 4.6 kg.		SHEET 1 OF 1		



- 1. Deviation of the actual weight of the nominal can be up to 8%
- 2. Area of water intake stoles 278 sq.cm.

Name (general)	The product is presented in the following colours	Article	Weight, kg
A Plastic grate Base 400x400 slotted A15 universal (34801)	black	34801	0,880
	grey	34801-GY	

UNLESS OTHERWISE SPECIFIED: DIMENSIONS ARE IN MILLIMETERS SURFACE FINISH: TOLERANCES: ISO 2768-c LINEAR: ANGULAR:			FINISH:		DO NOT SCALE DRAWING		REVISION	
DRAWN PAH			SIGNATURE		DATE 07.05.26		TITLE:	
CHK'D PIL			APPV'D		MFG		ARTICLE: Load class: A15	
Q.A			MATERIAL: Plastic		WEIGHT: -		SCALE: 1:5	
							SHEET 1 OF 1	