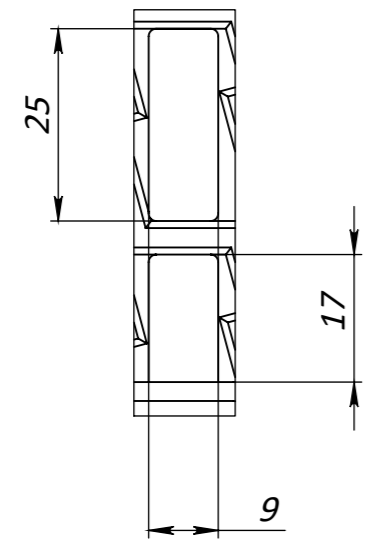


A (1:1)



- 1. Deviation of the actual weight of the nominal can be up to 8%
- 2. Area of water intake slots 33,2 sq in [214,4 sq cm]

UNLESS OTHERWISE SPECIFIED: DIMENSIONS ARE IN MILLIMETERS SURFACE FINISH: TOLERANCES: ISO 2768-c LINEAR: ANGULAR:		FINISH:		DO NOT SCALE DRAWING		REVISION	
DRAWN: LIL		SIGNATURE:		TITLE:		A3	
CHK'D: LMK		DATE: 30.09.22		Plastic channel Easy 1 DN70 H90 with plastic slotted grate			
APPV'D:				Load class: A15			
MFG:				ARTICLE:		088081-M	
Q.A:				MATERIAL:		WEIGHT: 0,612 kg	
				SCALE: 1:5		SHEET 1 OF 1	