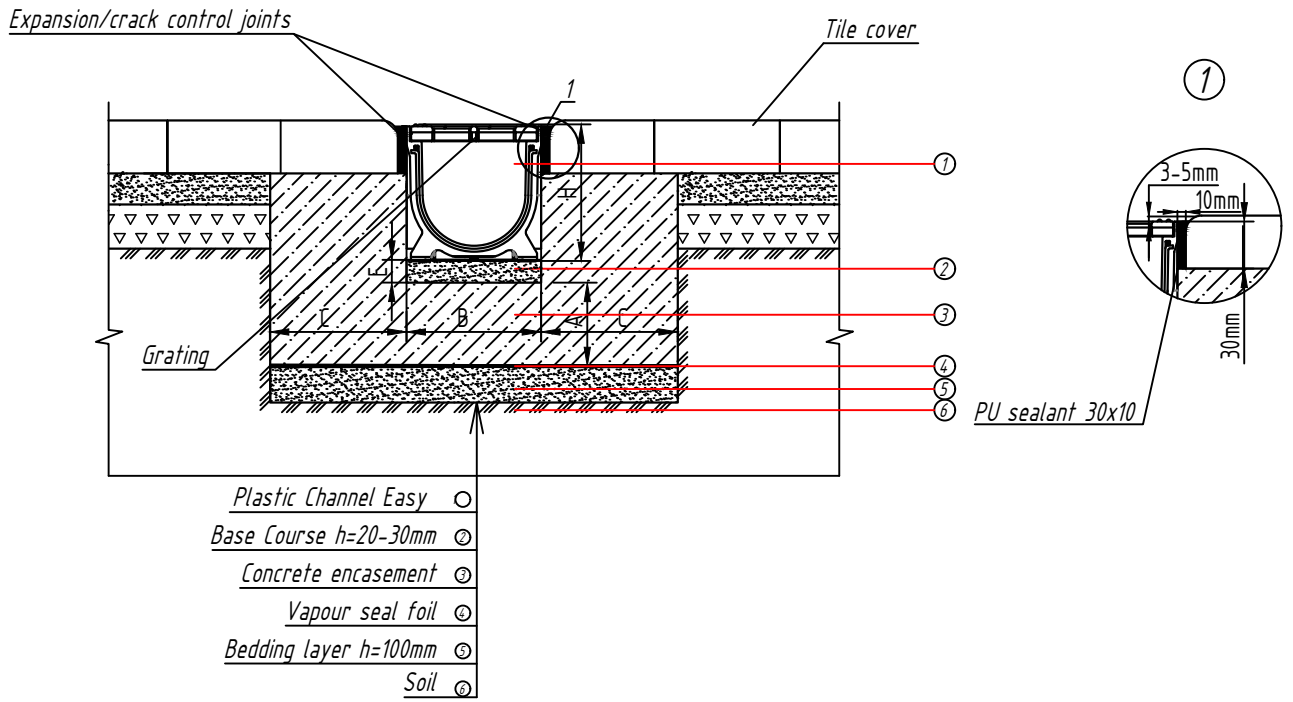


Installation of Easy series plastic channels with a hydraulic cross-section DN70 into a tile cover



Recommended parameters of the Concrete encasement

Parameter	Load class
	A 15
Concrete encasement depth (A), mm	80
Concrete encasement width (C), mm	80
Compressive strength concrete class	C15/20

Notes

1. Parameters of bedding layer, concrete encasements as well as necessity of reinforcement must be selected according to geological conditions of the site.

2. Installation diagram is non-regulatory. Check updates on the Vodaland website.

PolyMax Easy DN70 Tile cover

PS30-201119

Typical installation scheme of the rain water collection system

Plastic trench drain Easy series with hydraulic cross section DN70

30

Designed

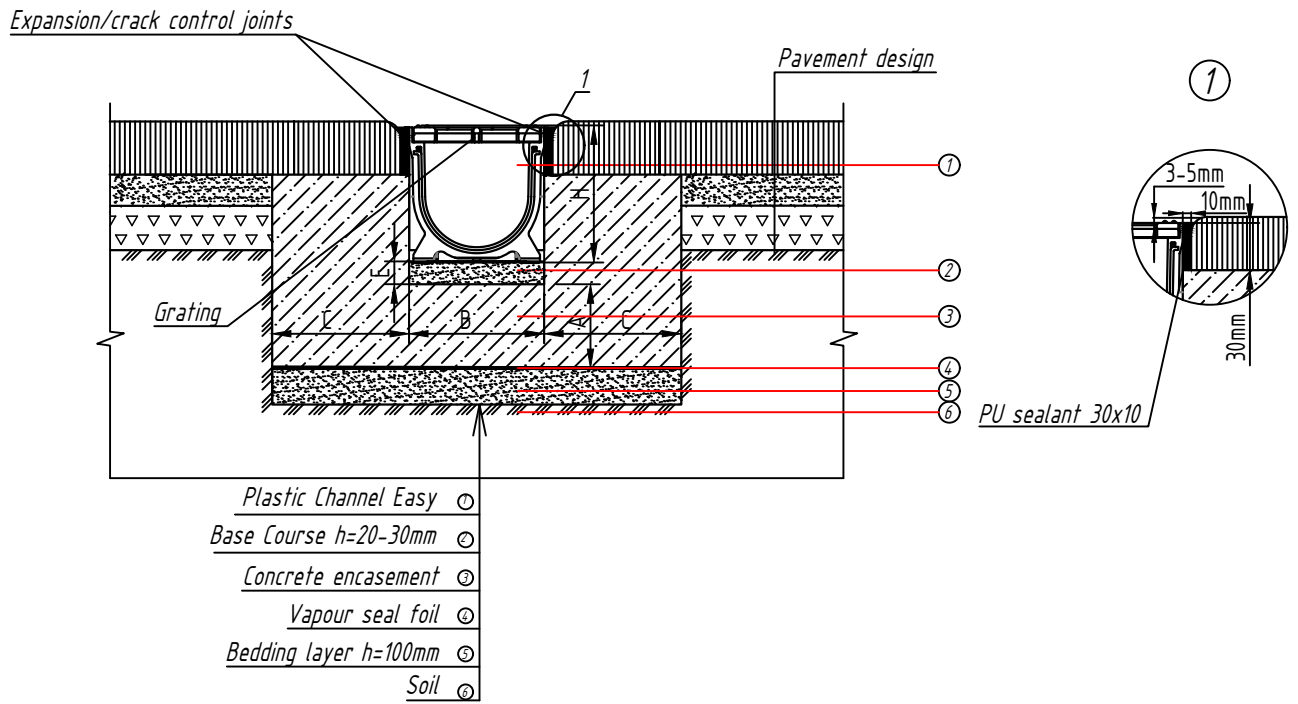
20.11.19

Checked

Installation into tile cover



Installation of Easy series plastic channels with a hydraulic cross-section DN70 into an asphalt concrete pavement



Recommended parameters of the Concrete encasement

Parameter	Load class
Concrete encasement depth (A), mm	80
Concrete encasement width (C), mm	80
Compressive strength concrete class	C15/20

Notes

1. Parameters of bedding layer, concrete encasements as well as necessity of reinforcement must be selected according to geological conditions of the site.
2. Installation diagram is non-regulatory. Check updates on the Vodaland website.

PolyMax Easy DN70 Asphalt

PS31-201119

Typical installation scheme of the rain water collection system

Plastic trench drain Easy series with
hydraulic cross section DN70

31

Installation into an asphalt concrete
pavement



Designed 20.11.19
Checked