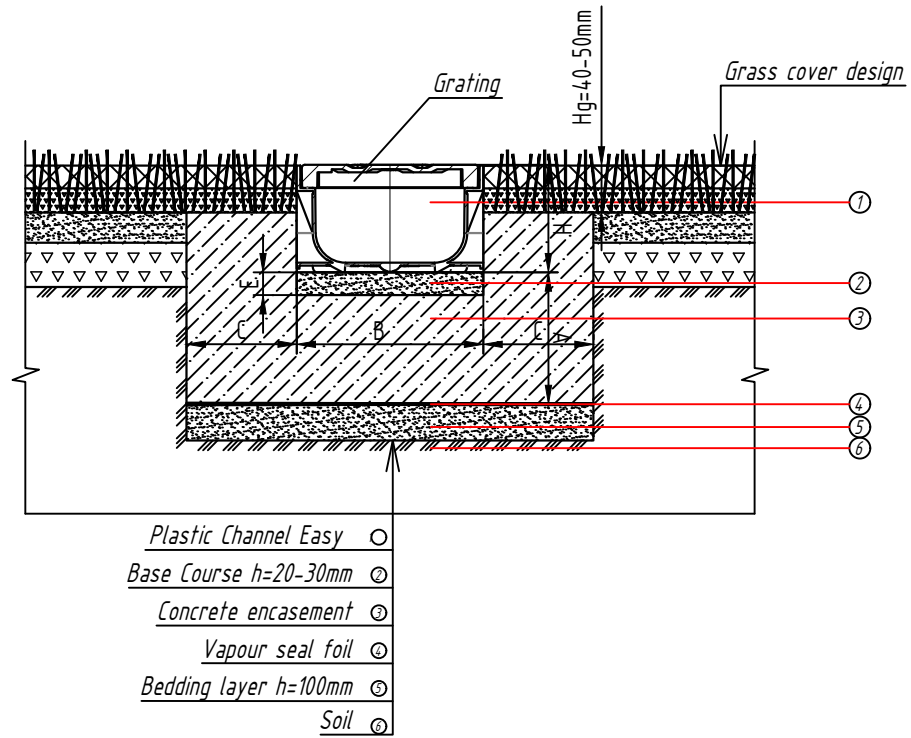


Installation of Easy series plastic channels with a hydraulic cross-section DN100 into an grass cover



Recommended parameters of the Concrete encasement

<i>Parameter</i>	<i>Load class</i>
	A 15
<i>Concrete encasement depth (A), mm</i>	80
<i>Concrete encasement width (C), mm</i>	80
<i>Compressive strength concrete class</i>	C15/20

Notes

- Parameters of bedding layer, concrete encasements as well as necessity of reinforcement must be selected according to geological conditions of the site.*
- Installation diagram is non-regulatory. Check updates on the Vodaland website.*

PolyMax Easy DN100 Grass cover

PS37-201119

Typical installation scheme of the rain water collection system

Plastic trench drain Easy series with hydraulic cross section DN100

37

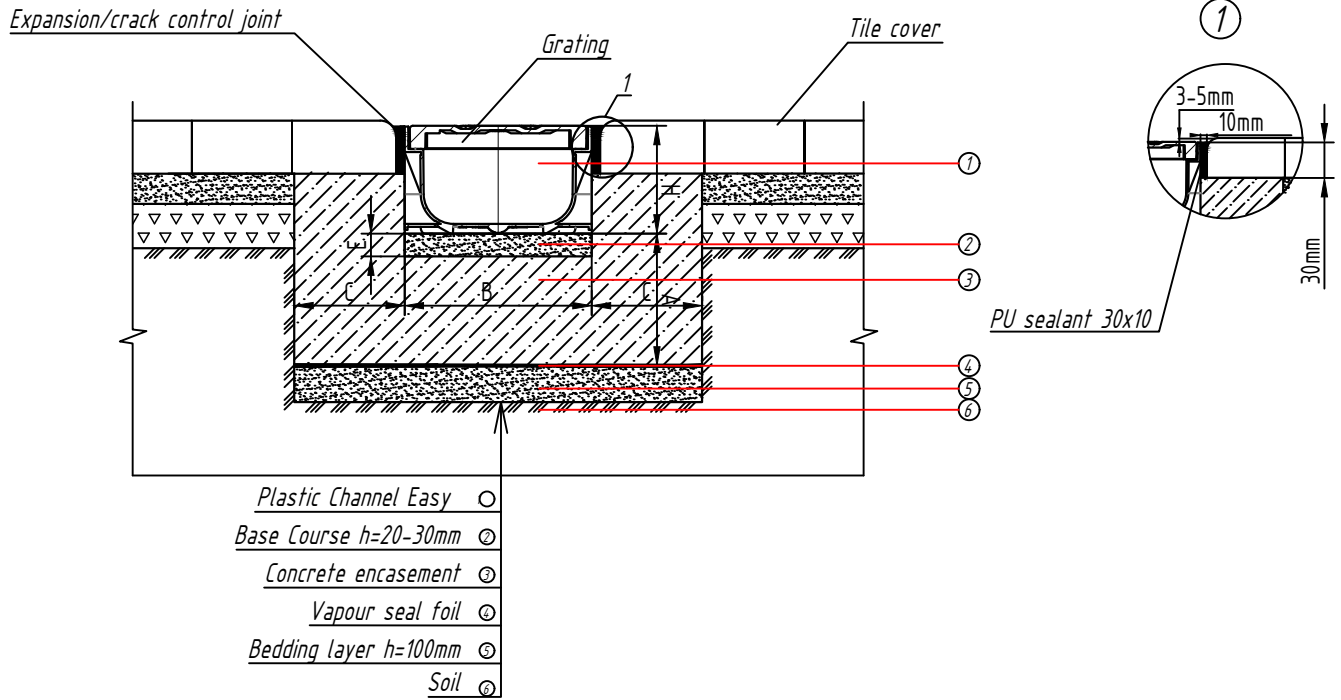
Installation into an grass cover



Designed
Checked

20.11.19

Installation of Easy series plastic channels with a hydraulic cross-section DN100 into a tile cover



Recommended parameters of the Concrete encasement

Parameter	Load class
	A 15
Concrete encasement depth (A), mm	80
Concrete encasement width (C), mm	80
Compressive strength concrete class	C15/20

Notes

- Parameters of bedding layer, concrete encasements as well as necessity of reinforcement must be selected according to geological conditions of the site.*
- Installation diagram is non-regulatory. Check updates on the Vodaland website.*

PolyMax Easy DN100 Tile cover

PS25-201119

Typical installation scheme of the rain water collection system

Plastic trench drain Easy series with hydraulic cross section DN100

25

Designed

20.11.19

Checked

Installation into tile cover

