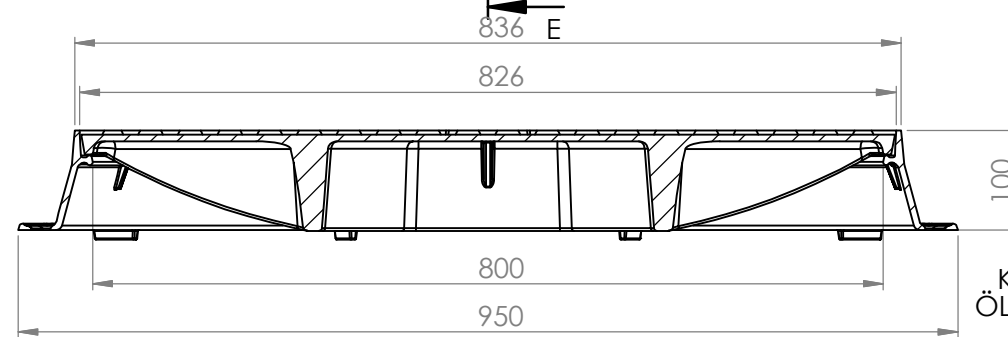
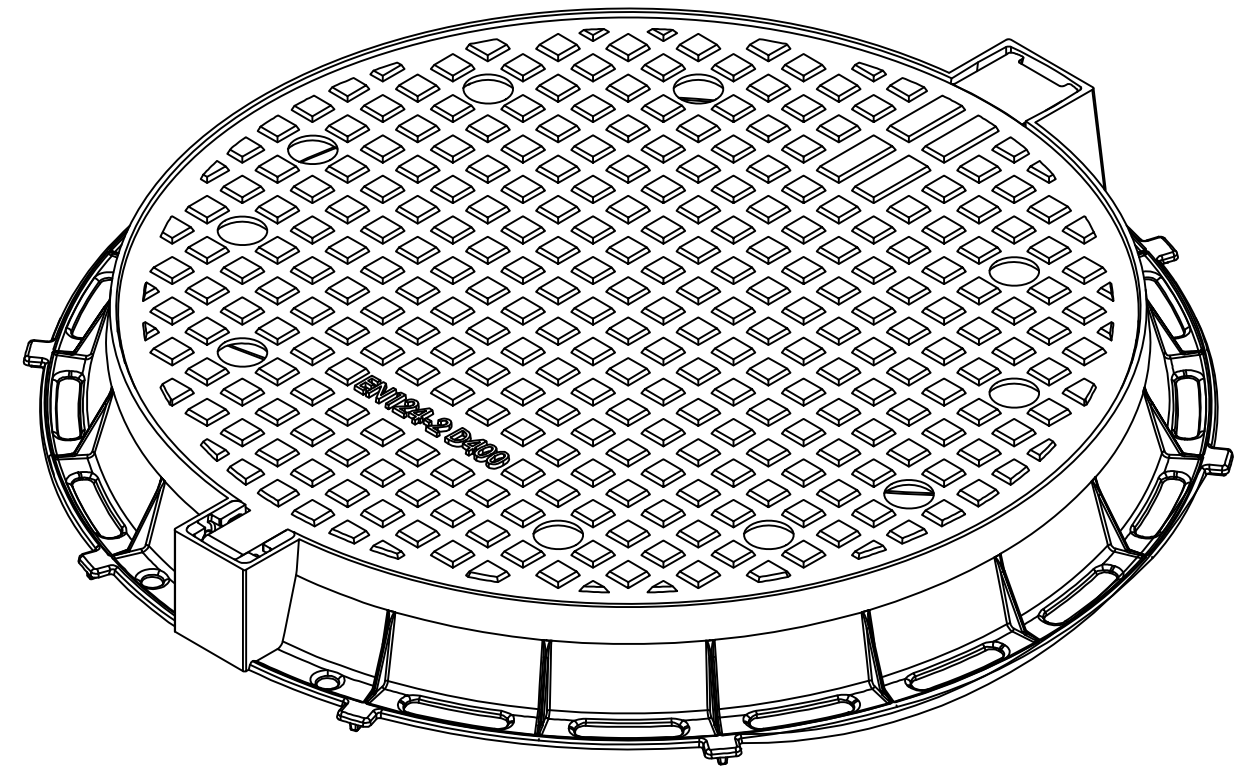
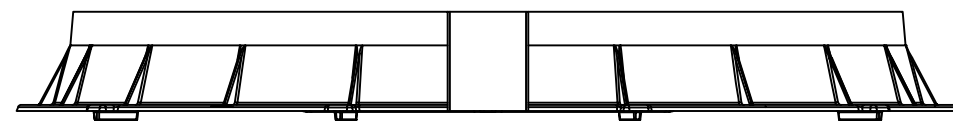



KESIT E-E
ÖLÇEK 1 : 6



KESIT C-C
ÖLÇEKLE 1 : 6



UNLESS OTHERWISE SPECIFIED: DIMENSIONS ARE IN MILLIMETERS SUPRFAFACE FINISH:				FINISH:		REVISIONS	
							
DRAWN						Cover Ductile cast iron URBAN Load class D400	
CHK'D							
						ARTICLE: 1073-0004-1	
				MATERIAL: Ductile cast iron GGG 50		A3	
				WEIGHT: 85 kg			
				SCALE: 1:5		SHEET 1 OF 1	