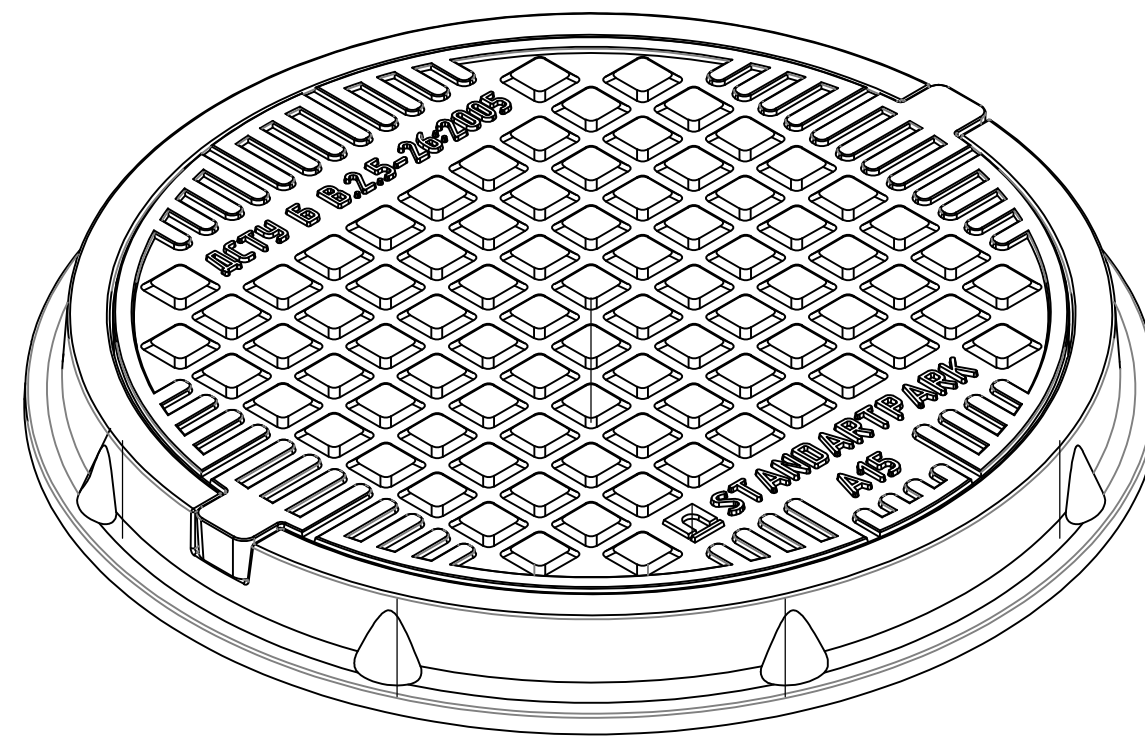
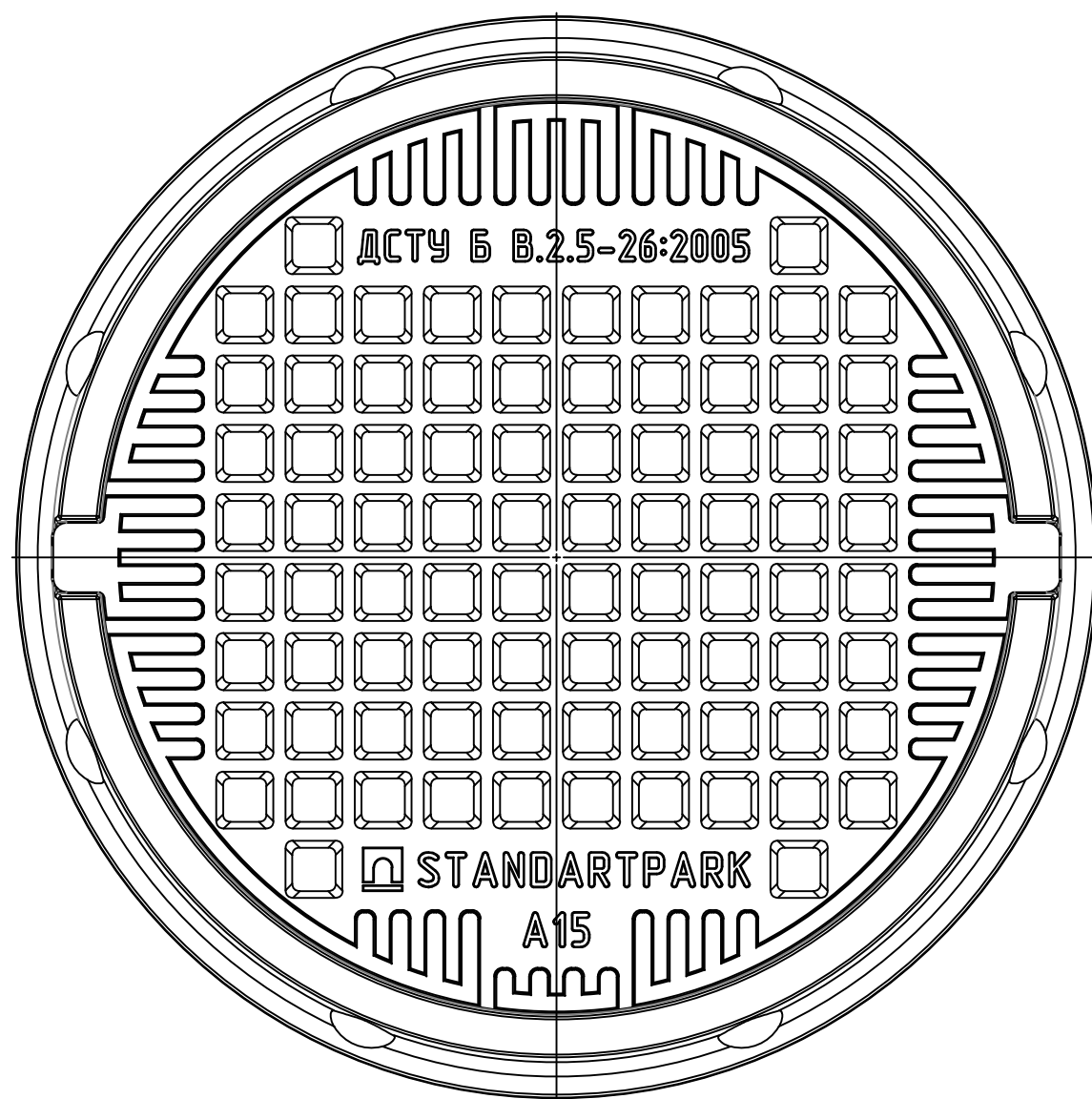
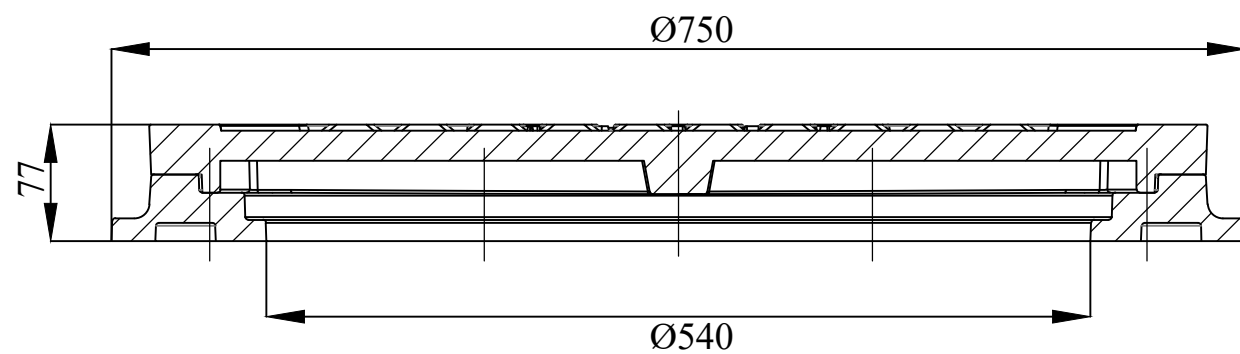



30298-30N

Primary Usage

Reference No.

Orig. Inv. No. Sign. and date
 Repl. Inv. No. Copy inv. No. Sign. and date



				Art. 30298		
				Polymer Sand Manhole URBAN		
				Let.	Weight	Scale
					25.0	1:5
				Sheet		Sheets 1
				Polymer Sand		
						

Copied by

Size A3

Rev	Sheet	Doc. No.	Sign.	Date
				10.05.17

30298-30N
 Load class A15