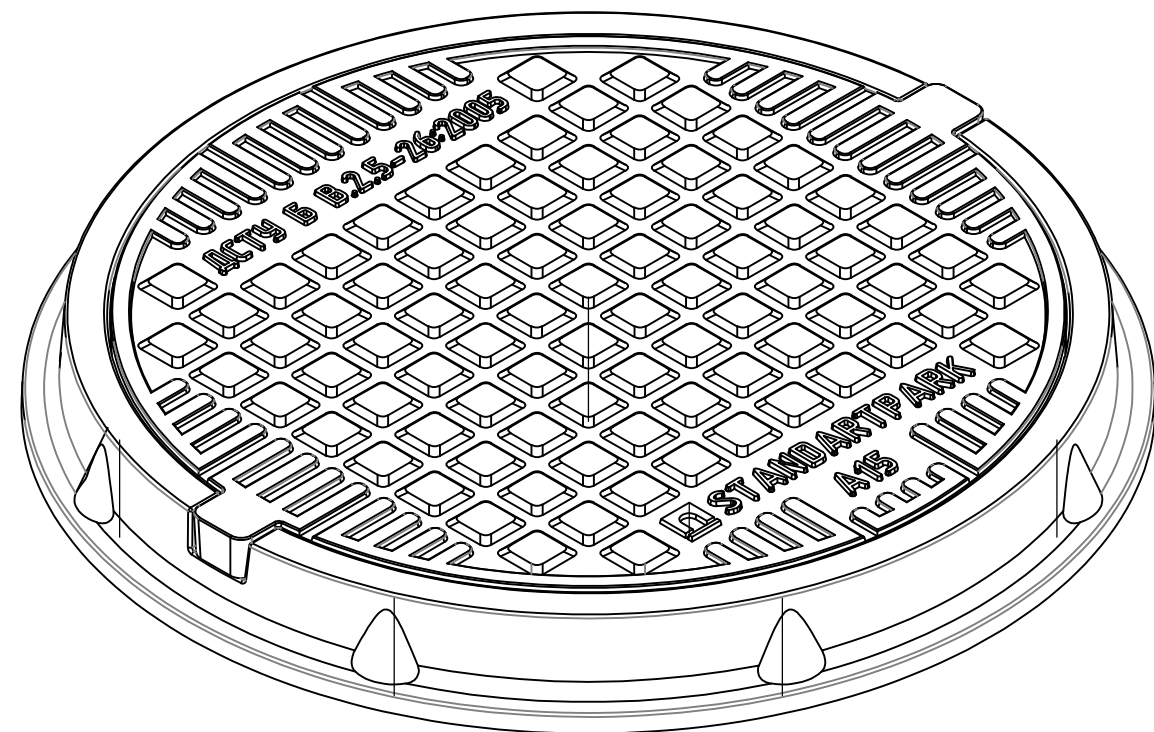
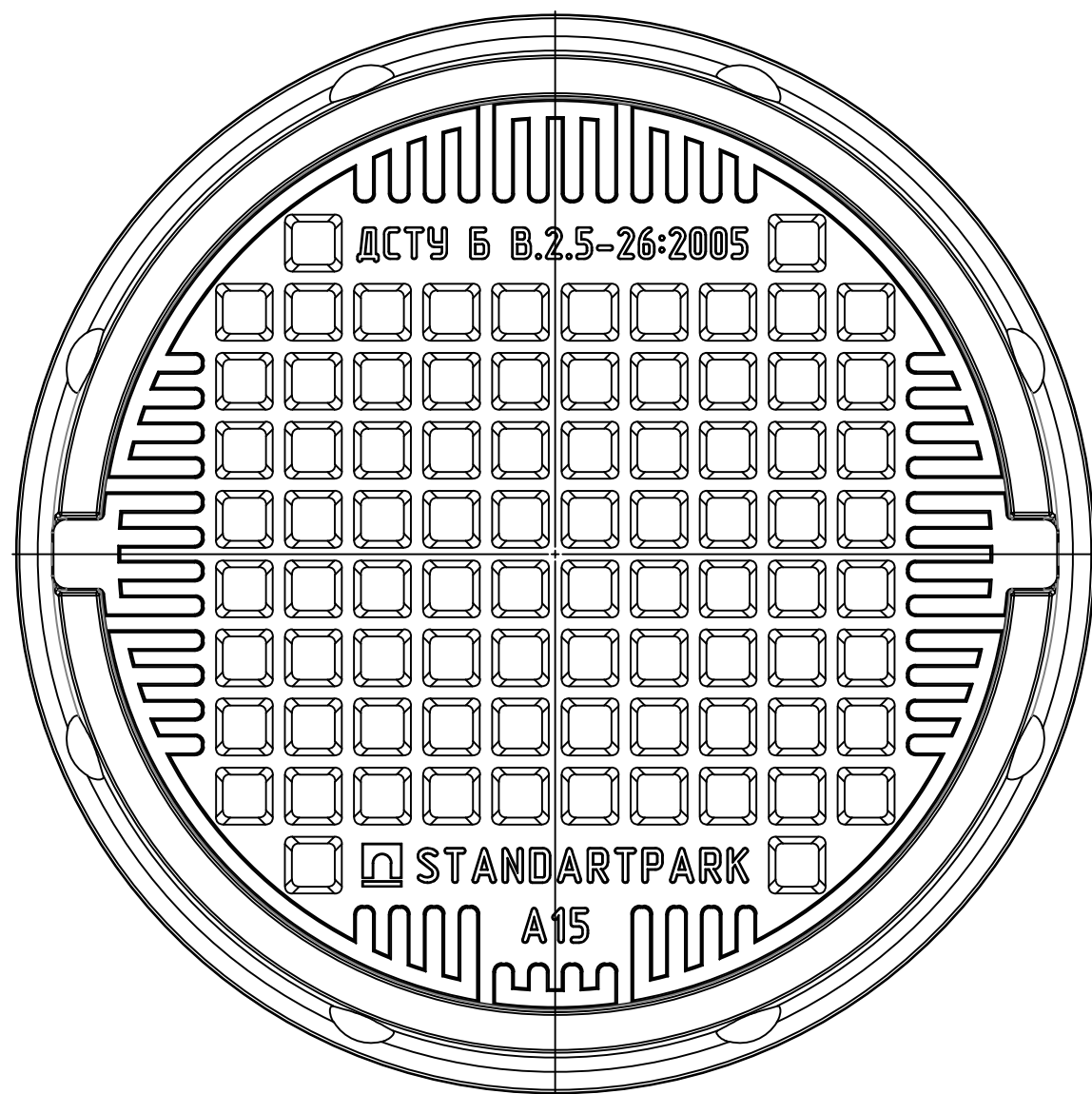
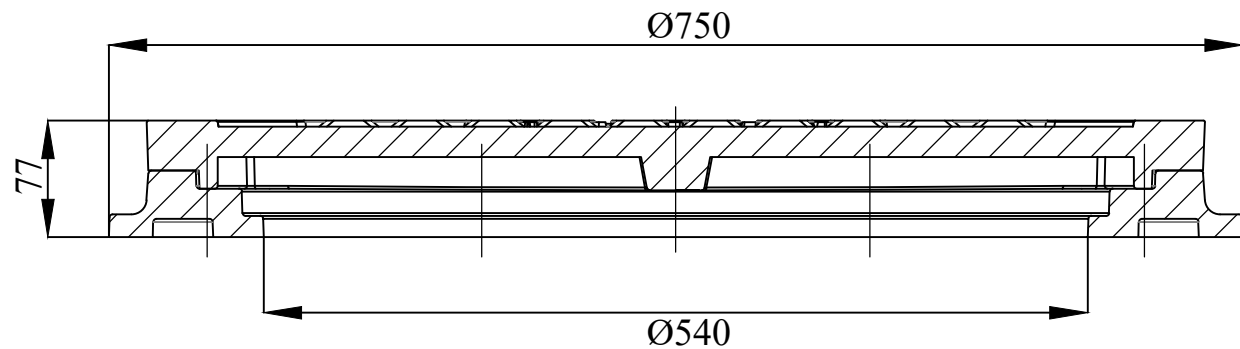


30298-30N

Primary Usage

Reference No.

Orig. Inv. No. Sign. and date
 Repl. Inv. No. Copy inv. No. Sign. and date



					Capac Polimer Compozit			Art. 30298
					URBAN Negru rotund			
						Let.	Greutate	Scara
							25.0	1:5
						Pagina	Pagini 1	
					Polimer Compozit			