

30298-32V

Primary Usage

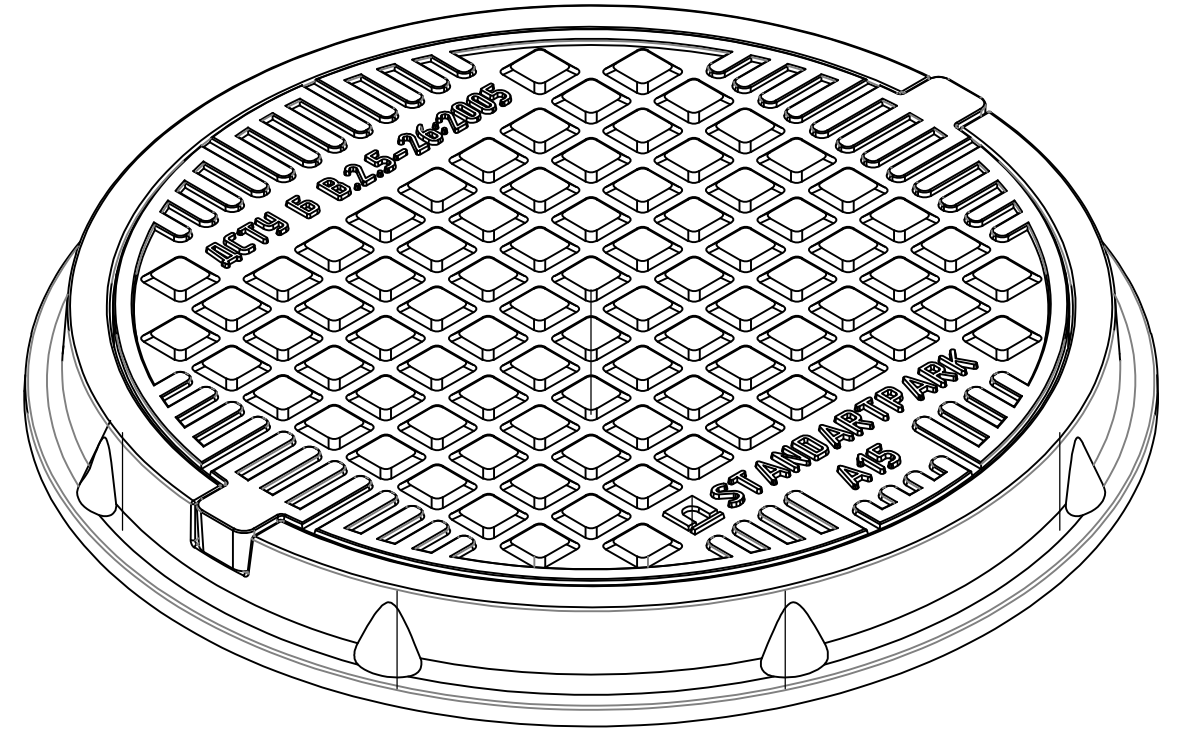
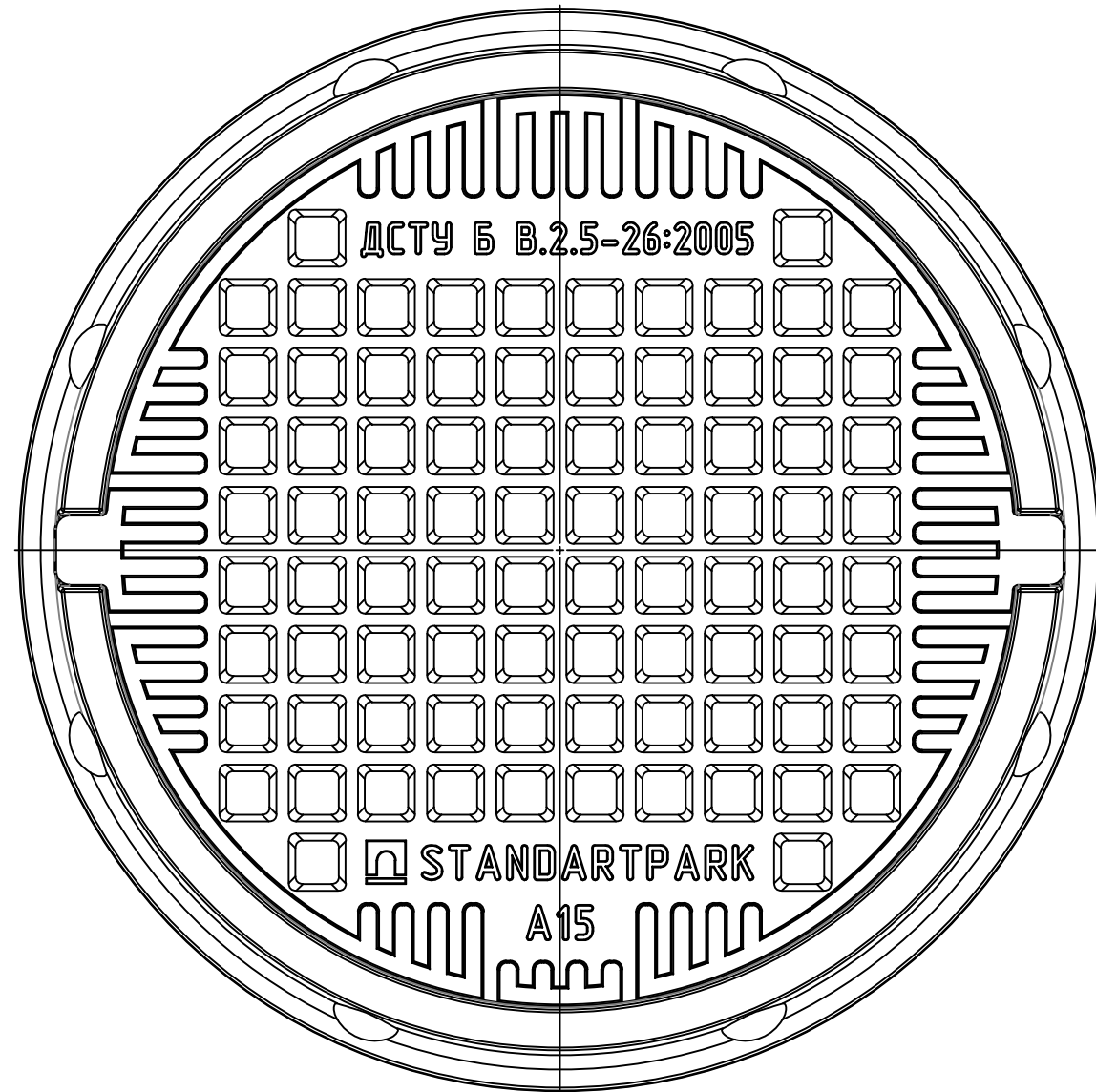
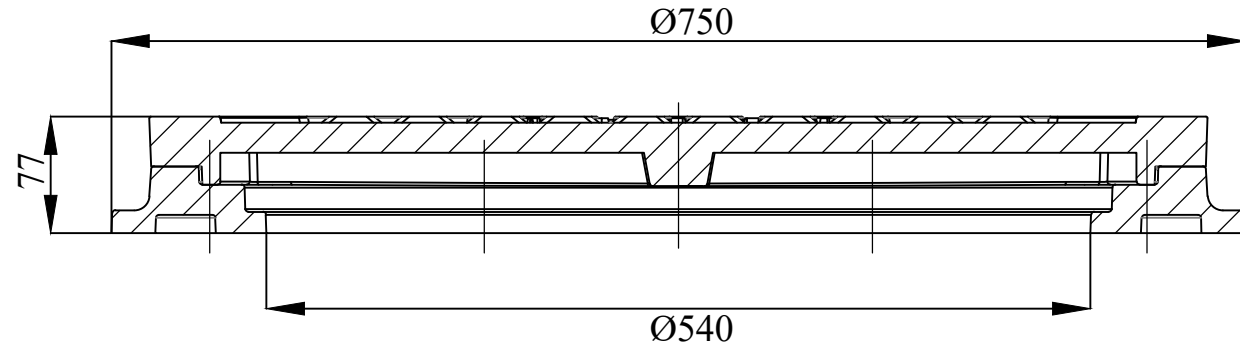
Reference No.


Sign. and date

Repl. Inv. No

Sign. and date

Orig. Inv. No.



				Art. 30298		
				Polymer Sand Manhole URBAN		
				Let.	Weight	Scale
					25.0	1:5
				Sheet		Sheets 1
				Polymer Sand		

Copied by

Size A3

Rev	Sheet	Doc. No.	Sign.	Date
				10.05.17

Polymer Sand Manhole URBAN

30298-32V
Load class A15

Polymer Sand



Copied by

Size A3