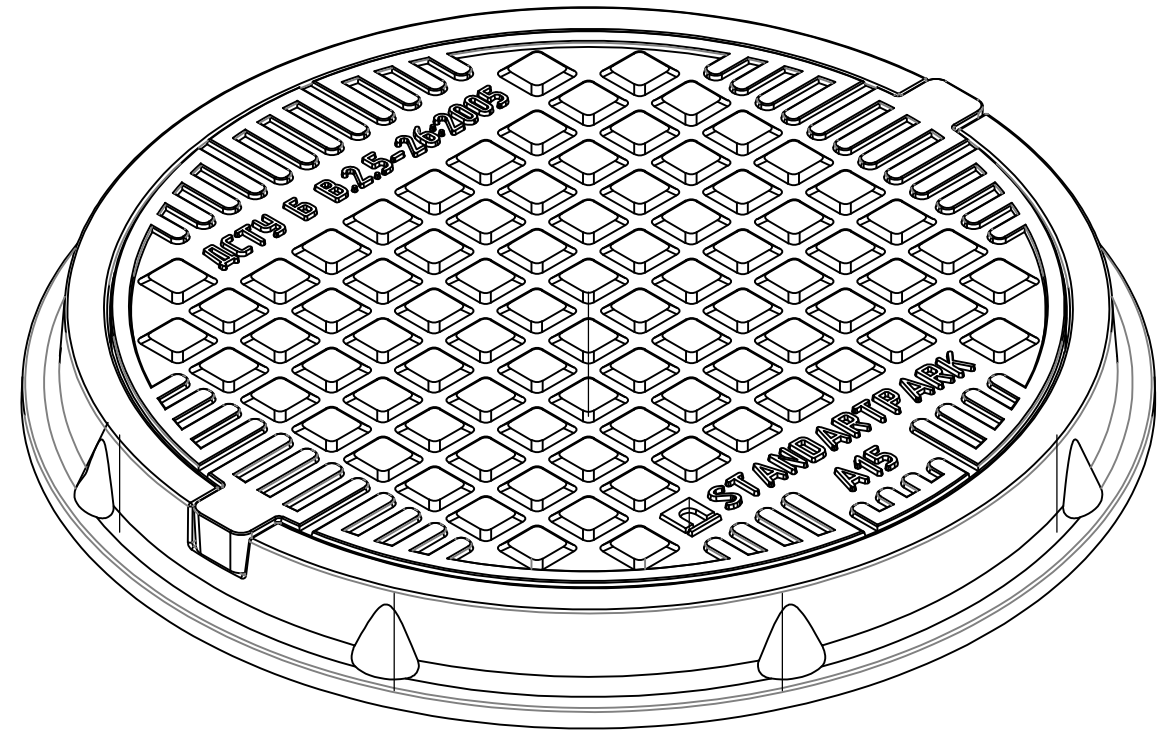
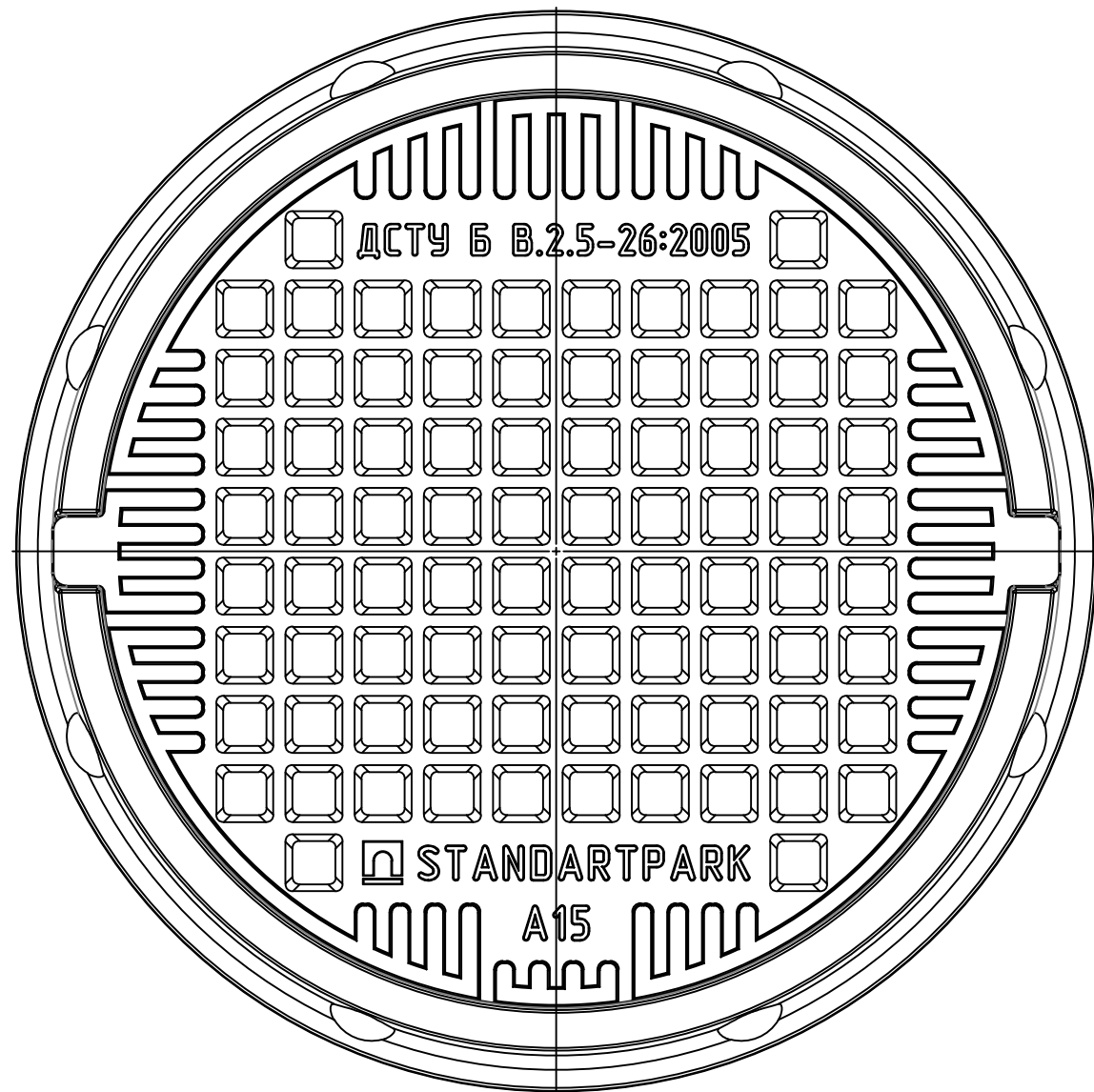
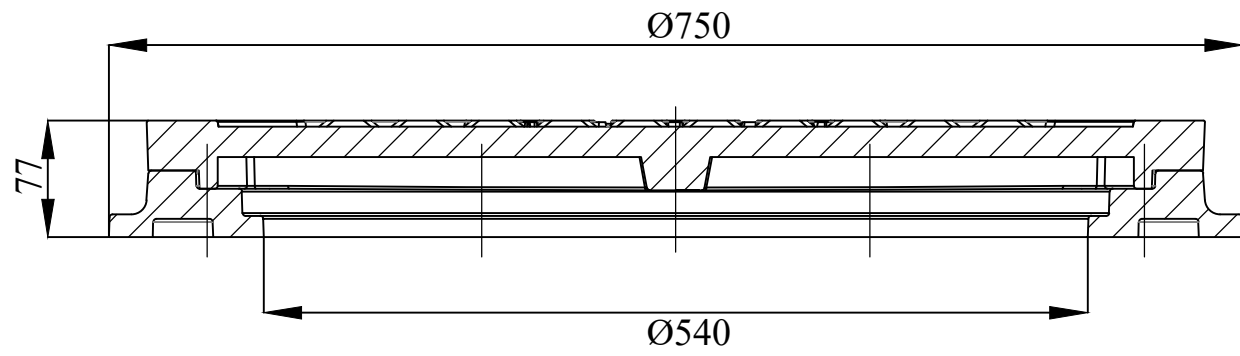


30298-32V

Primary Usage

Reference No.

Orig. Inv. No. Sign. and date Repl. Inv. No. Copy inv. No. Sign. and date



				Capac Polimer Compozit			Art. 30298	
				URBAN Verde rotund				
				30298-32V		Let.	Greutate	Scara
				Clasa de sarcina A15			25.0	1:5
				Polimer Compozit		Pagina		Pagini 1
						