

33352/12-3

Primary Usage

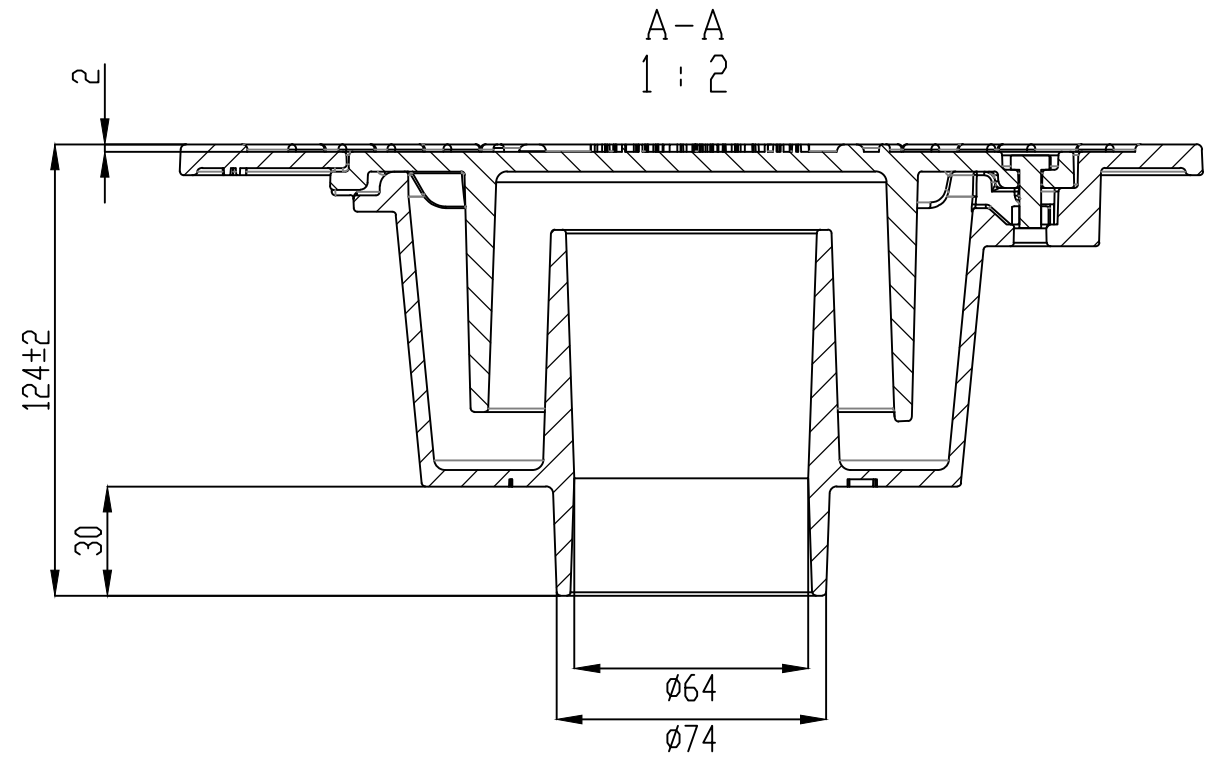
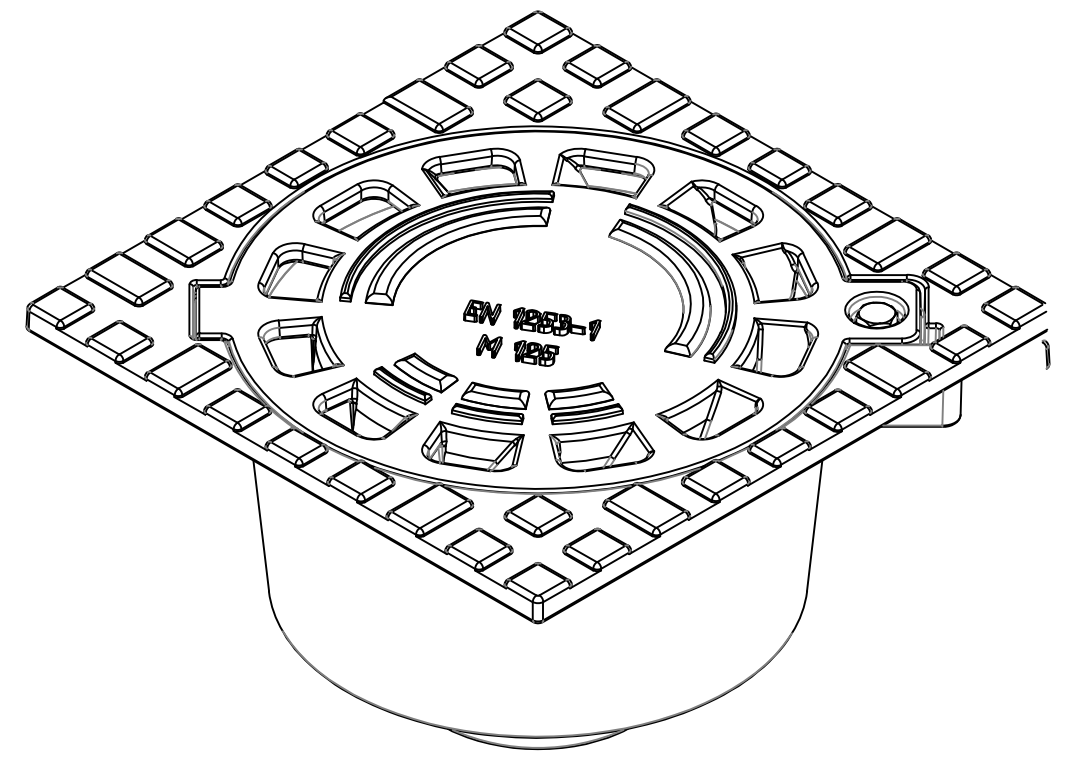
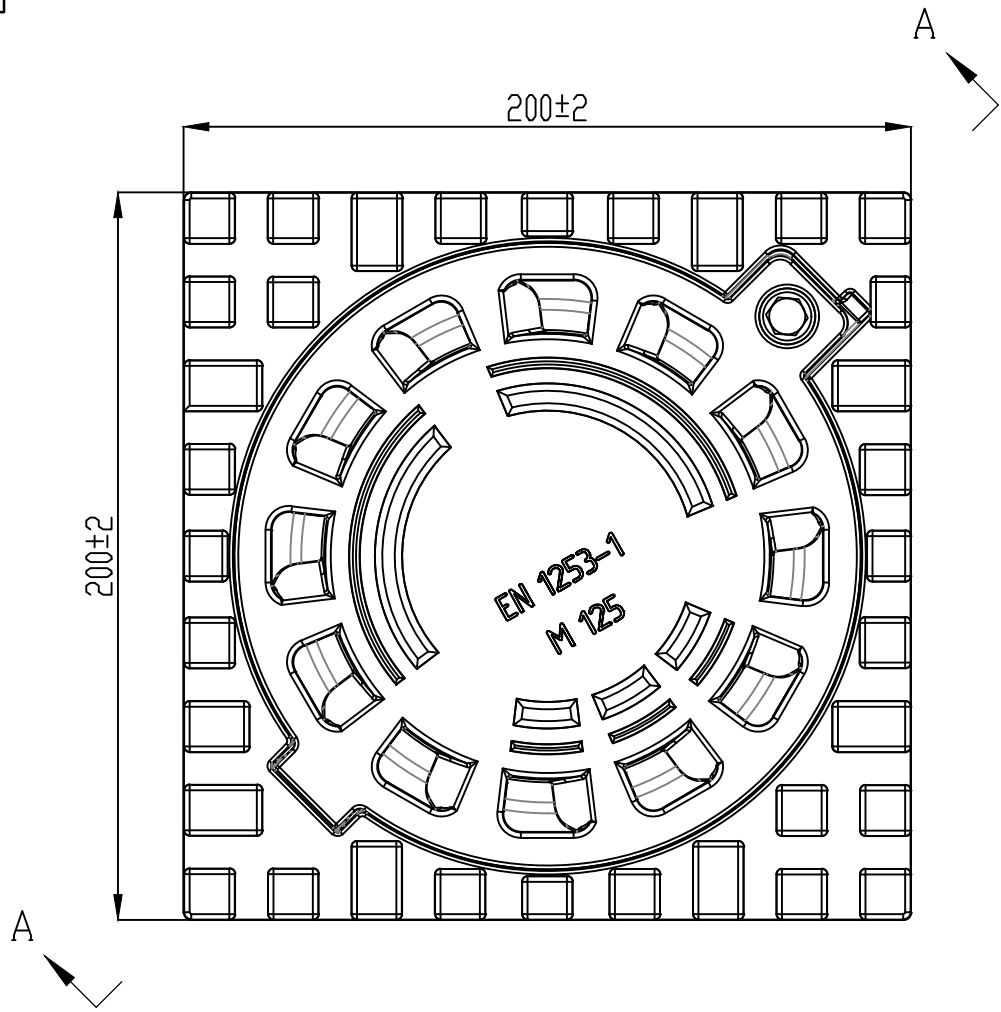
Reference No.

Sign. and date

Copy inv. No.

Repl. Inv. No.

Orig. Inv. No. Sign. and date



1. According to GOST 26645-85 for casting from 10 to 40 kg of precision class 9, the deviation from the table can be up to 8%
2. The cover weight is 3.87 kg

				Art. 33352/12-3			
Rev. Sheet	Doc. Nr.	Sign	Data	Trap type M125 200x200 vertical output DN110	Let.	Weight [kg]	Scale
Dvlpd by	Prokopenko		04.02.2021			5.69	1:5
Chkd by	Kachanovskyy						
Tech. Ctrl	Tsyurak				Sheet 1	Sheets 1	
Reg. Doc. Ctrl	Dyka			GGG50			
Aprvd by	Dorel						