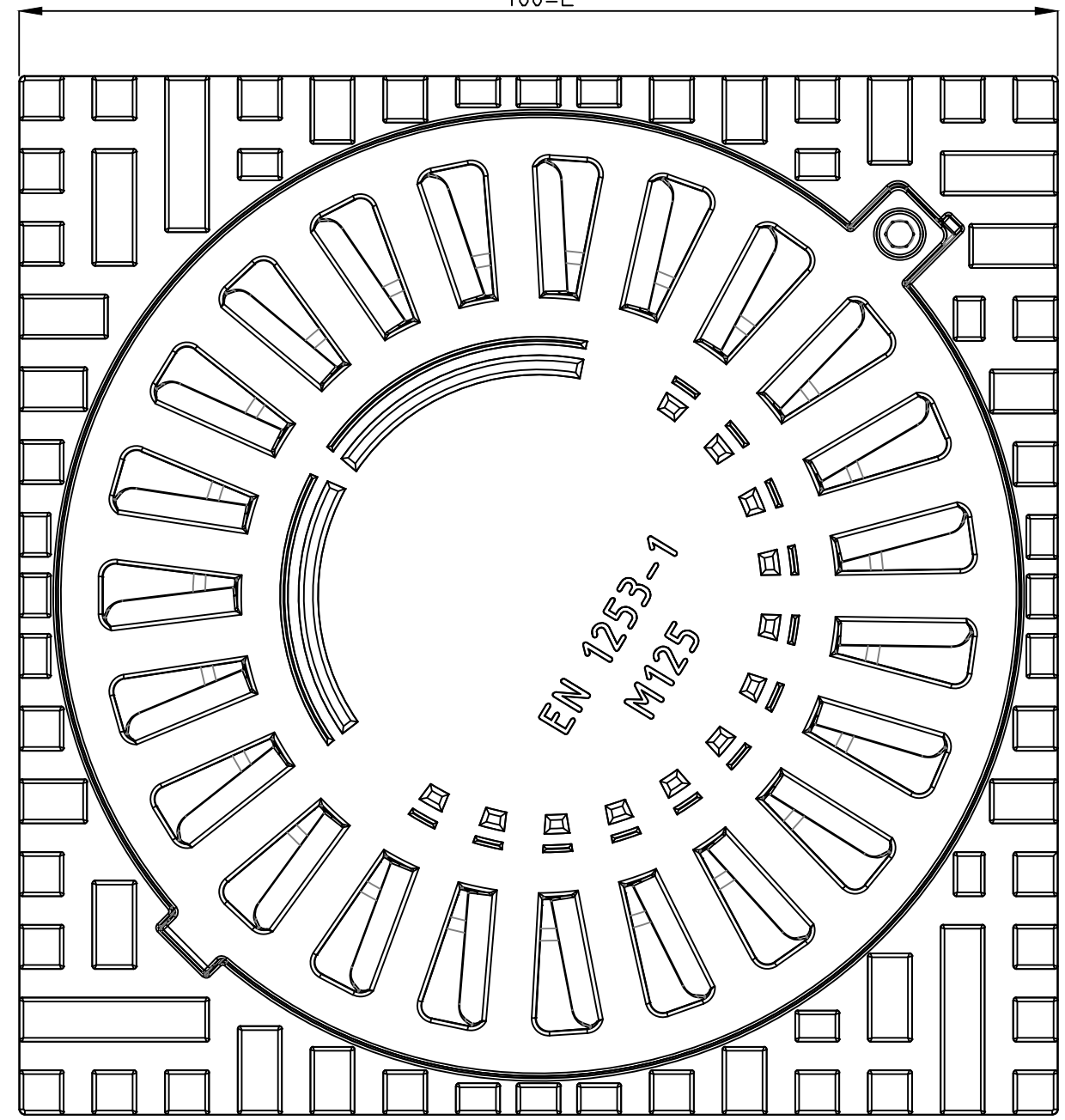
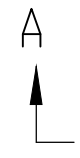


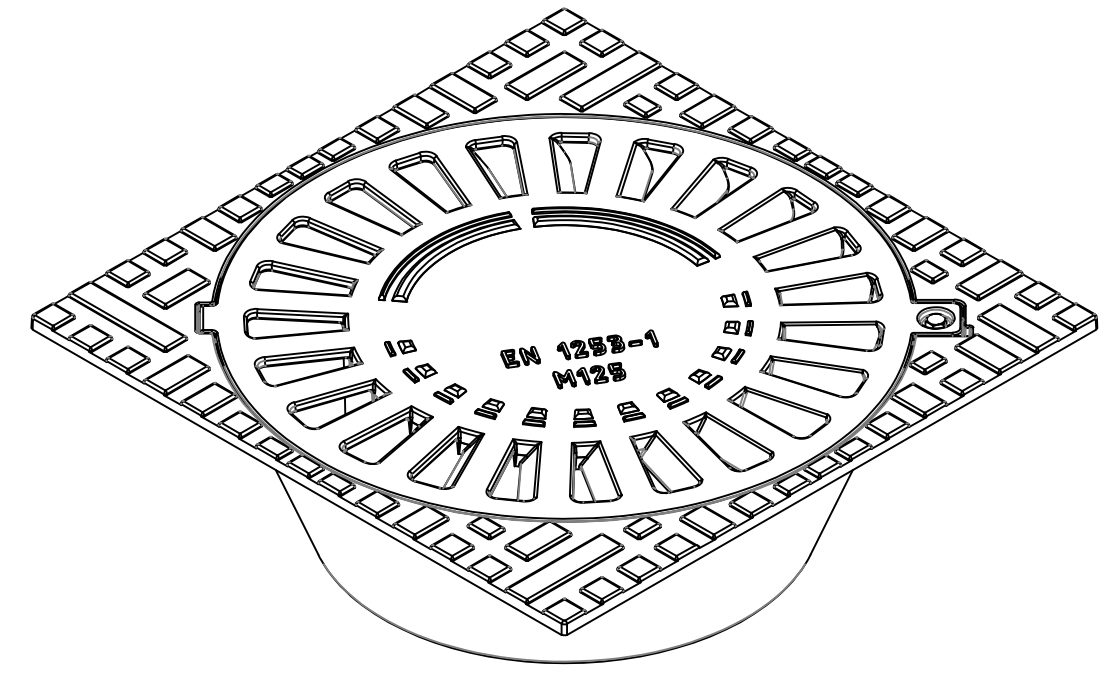
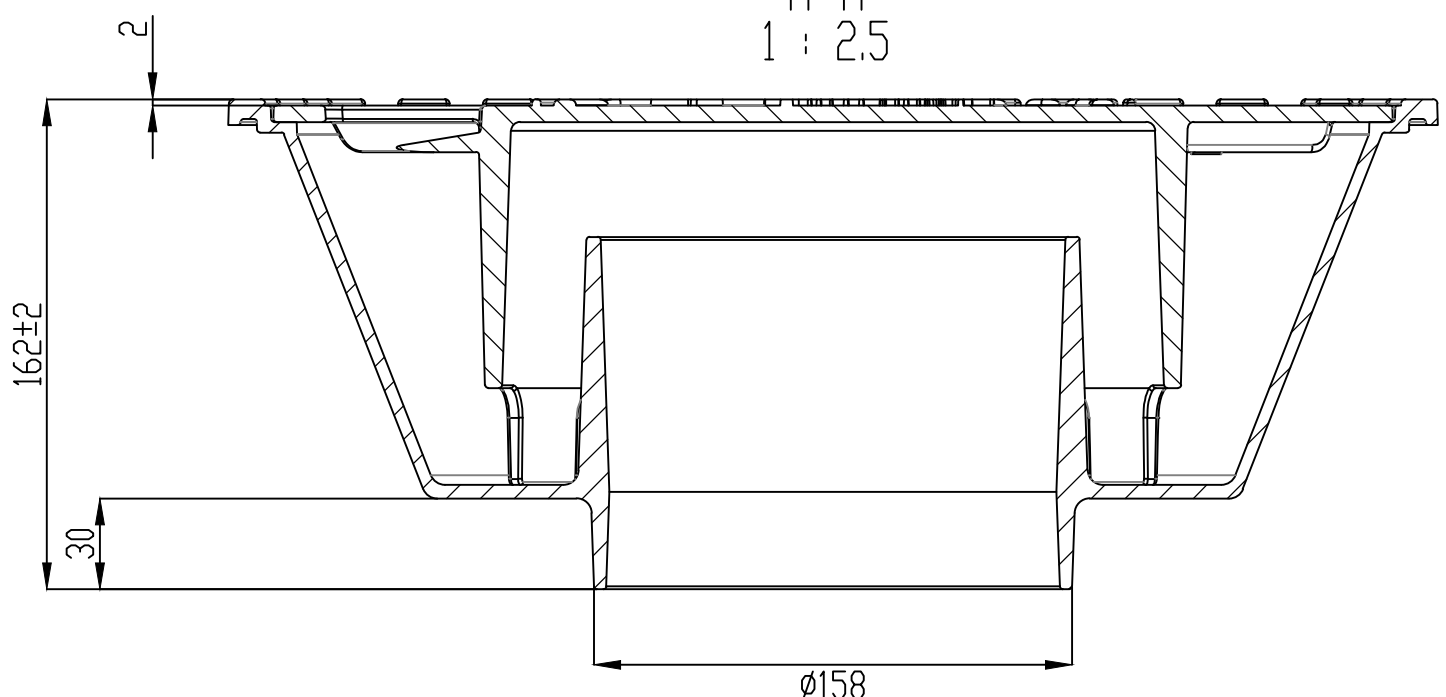
Primary Usage  
Reference No.  
Sign. and date  
Repl. Inv. Nb.  
Copy inv. Nb.  
Sign. and date  
Orig. Inv. Nb.

33354/16-3

400±2



A-A  
1 : 2.5



1. According to GOST 26645-85 for casting from 10 to 40 kg of 9 class of accuracy, the deviation from the mass can be up to 8%
2. The weight of the lid is 7.07 kg.

				DP-16.30.13-VCH			Art.33354/16-3	
Rev.	Sheet	Doc. No.	Sign.	Data	Trap type M125	Let.	Weight (kg)	Scale
Dvlpd by	Prokopenko			04.02.2021			18.38	1:5
Chkd by	Kachanovskyy							
Tech. Ctrl	Tsyurak					Sheet 1	Sheets 1	
Reg. Doc. Ctrl	Dyka				GGG50			