

Primary Usage

Reference No.

Sign. and date

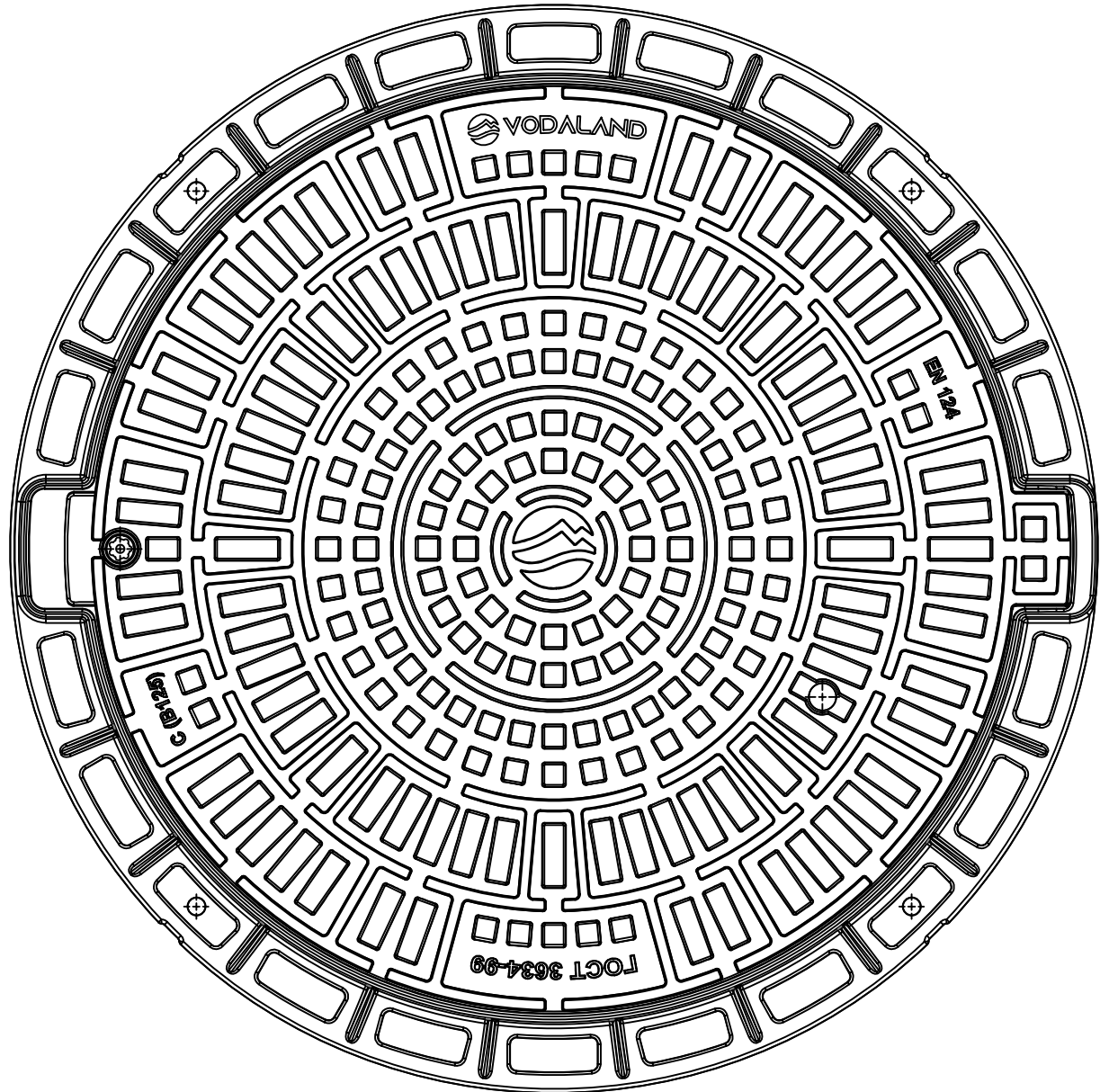
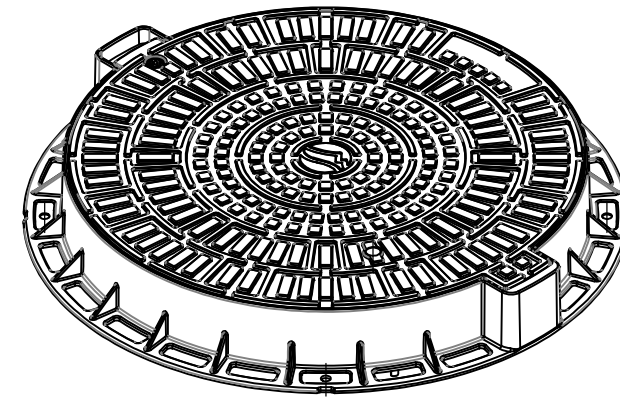
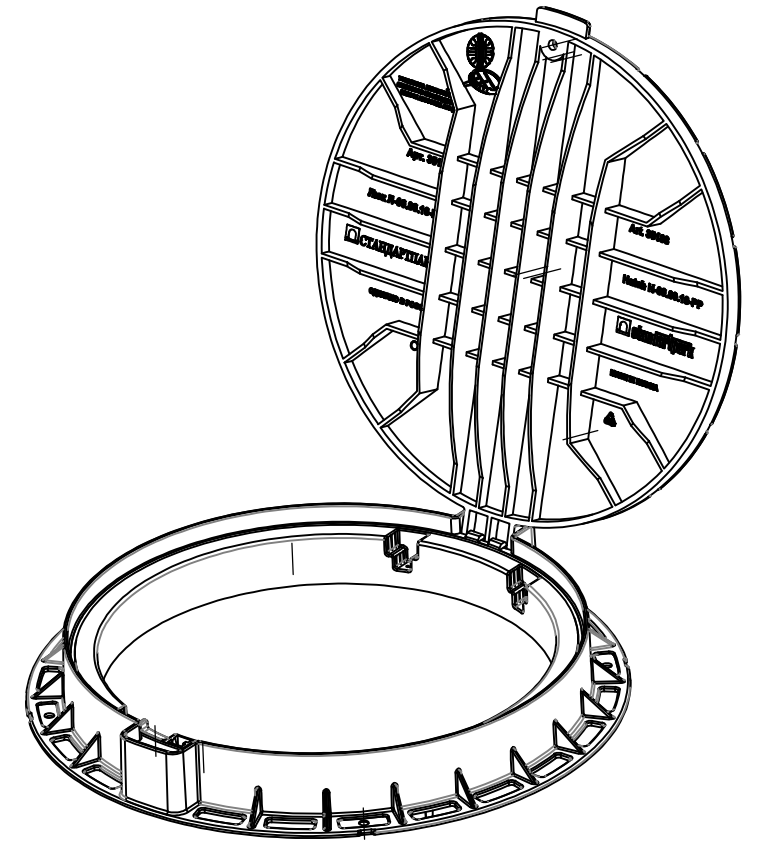
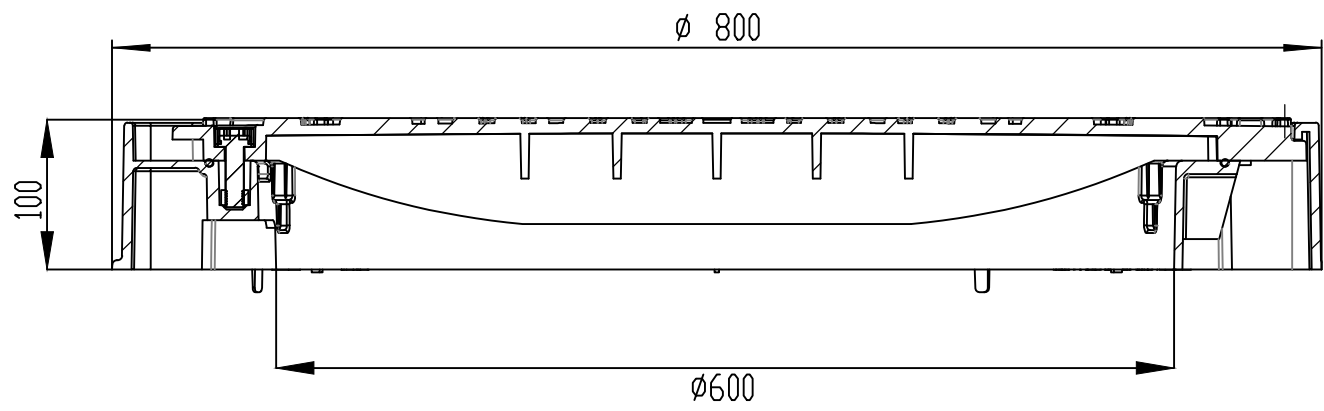
Repl. Inv. No

Sign. and date

Orig. Inv. No.

Contact

35188-84 NS



No	Code	Colour
1	35188-80D	Black
2	35188-82LV	Green
3	35188-84LG	Grey
4	35188-84NS	Sand

					Art. 35188-84 NS			
					Plastic Manhole			
					Load class A15	Let.	Weight	Scale
							7.7	1:5
					Material Plastic	Sheet		Sheets 1
Contact	tehnic@vodaland.ro							

