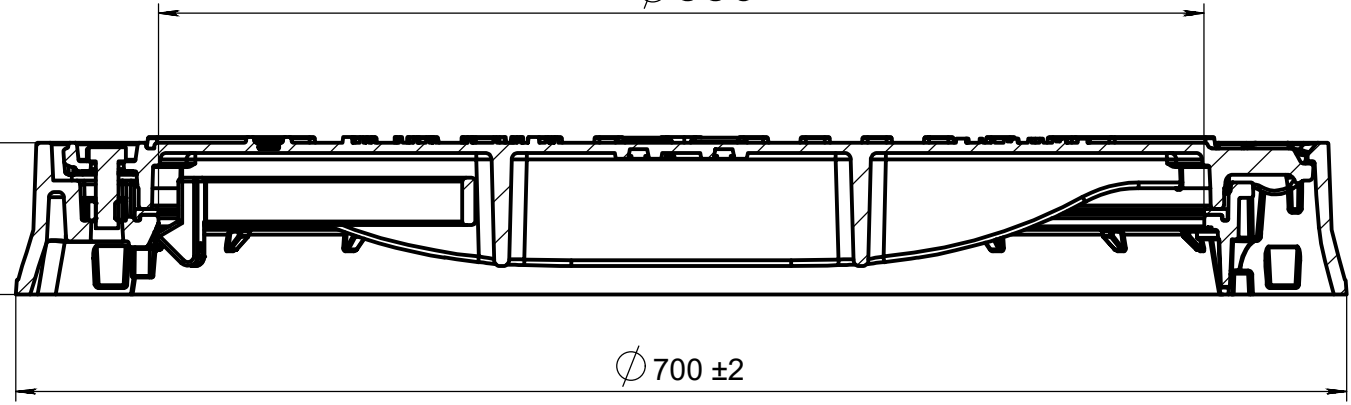


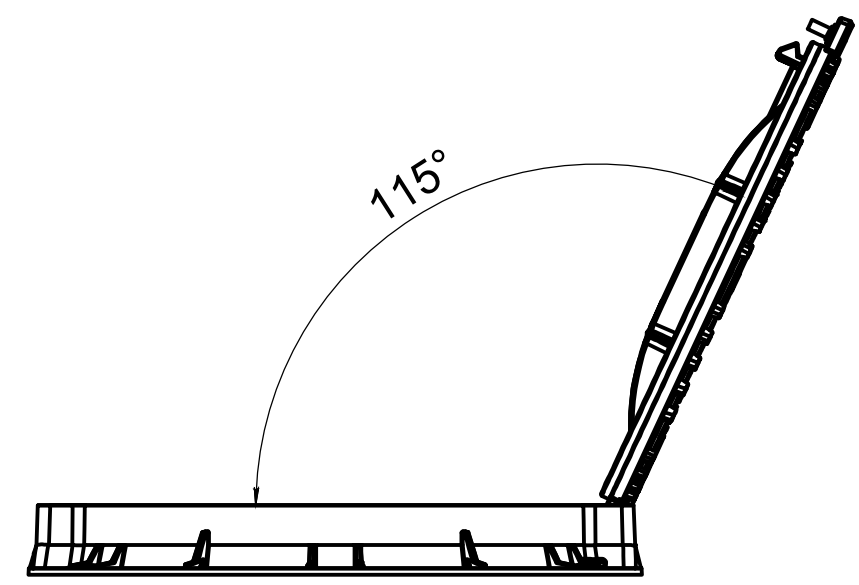
A-A  
1:5

∅550

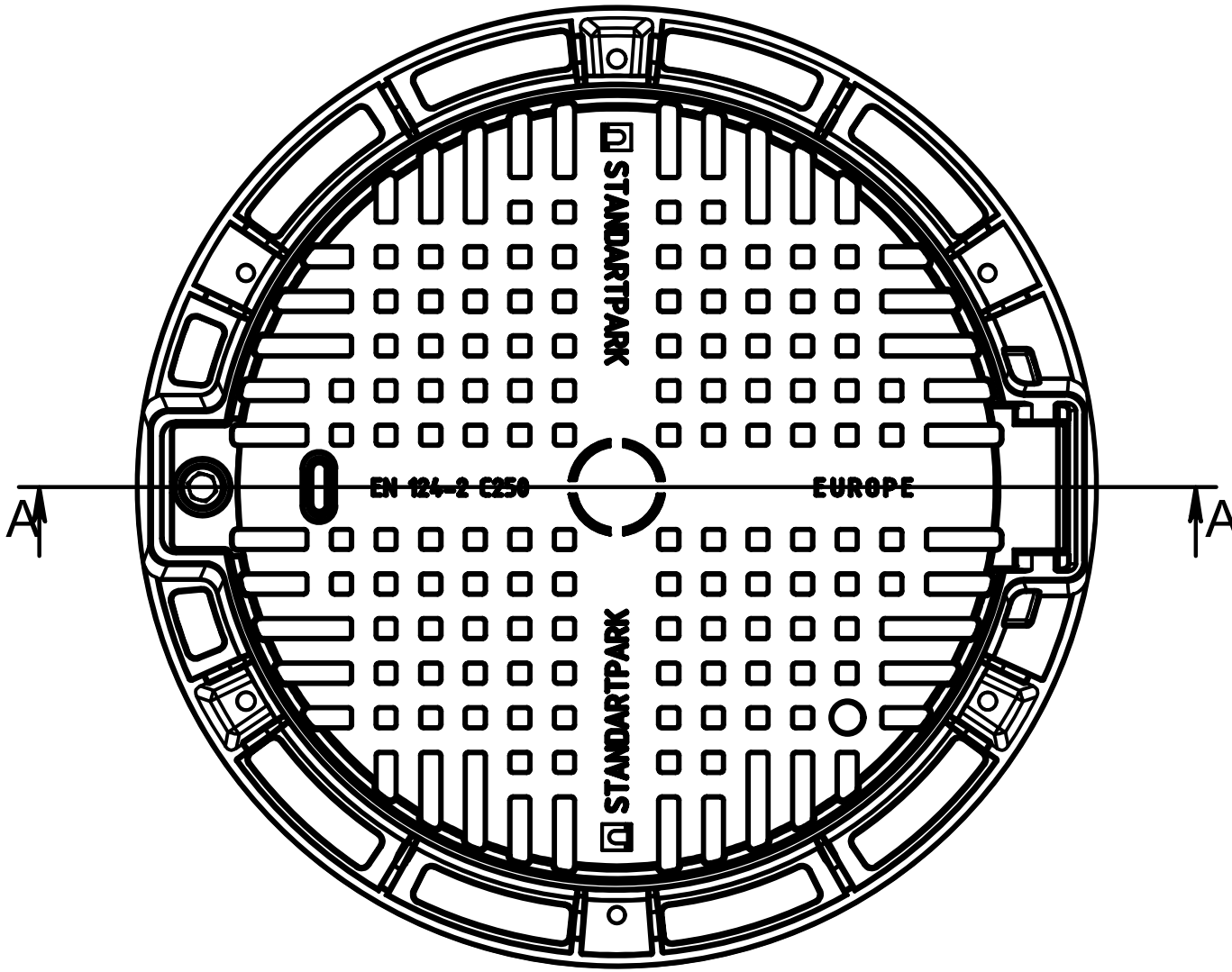
80 ±1,5



∅700 ±2



115°



1. Deviation of the actual weight of the nominal can be up to 8%

				Art. 35257-45M		
				Cover Ductile Cast Iron URBAN		
				Let.	Gr. [kg]	Scale
Rev.	Sheet	Doc. No.	Sign.	Load class C250		28.1
			25.05.19			1:10
				Material		Sheet 1
				Ductile Cast Iron (GGG50)		Sheets 1
Contact	tehnic@vodaland.ro			