

Primary Usage

Reference No.

Sign. and date

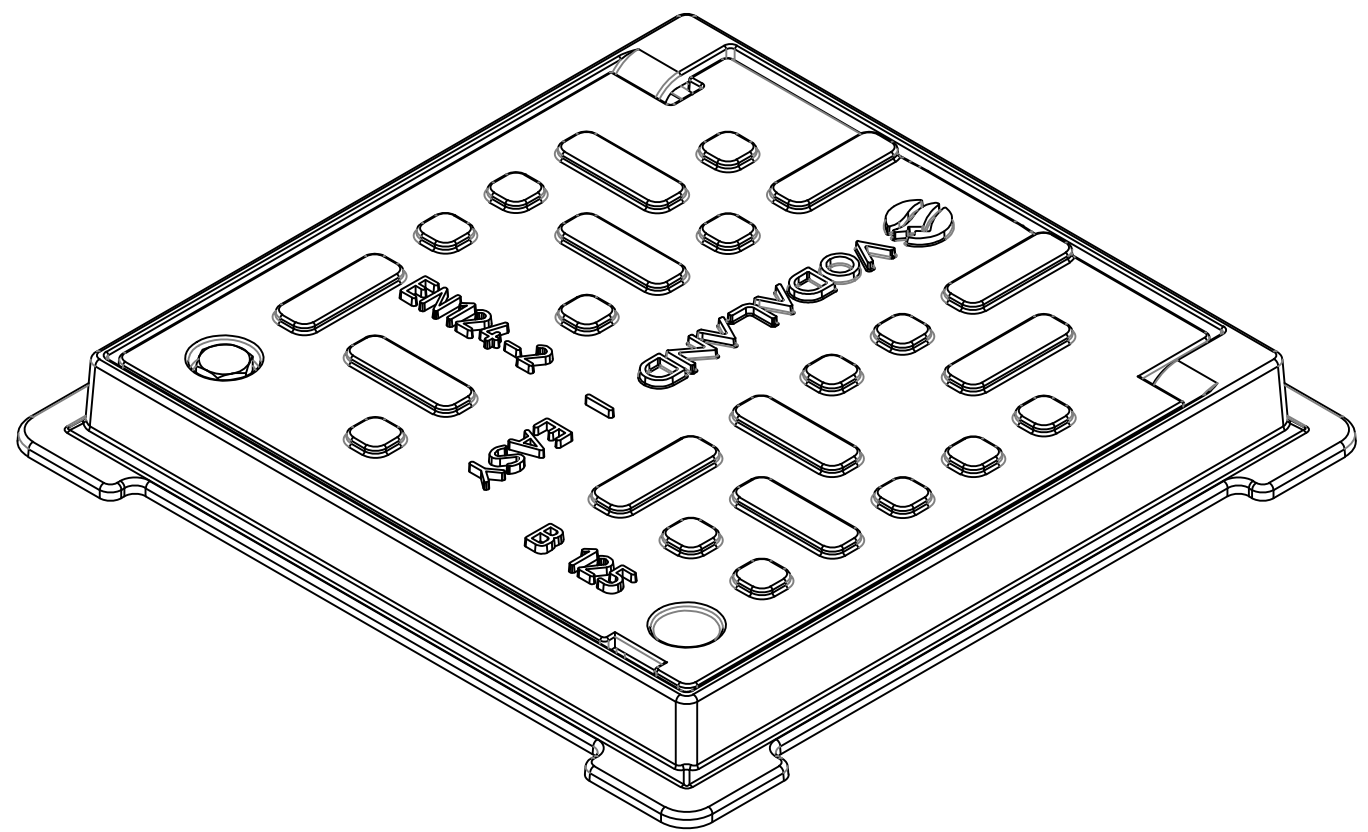
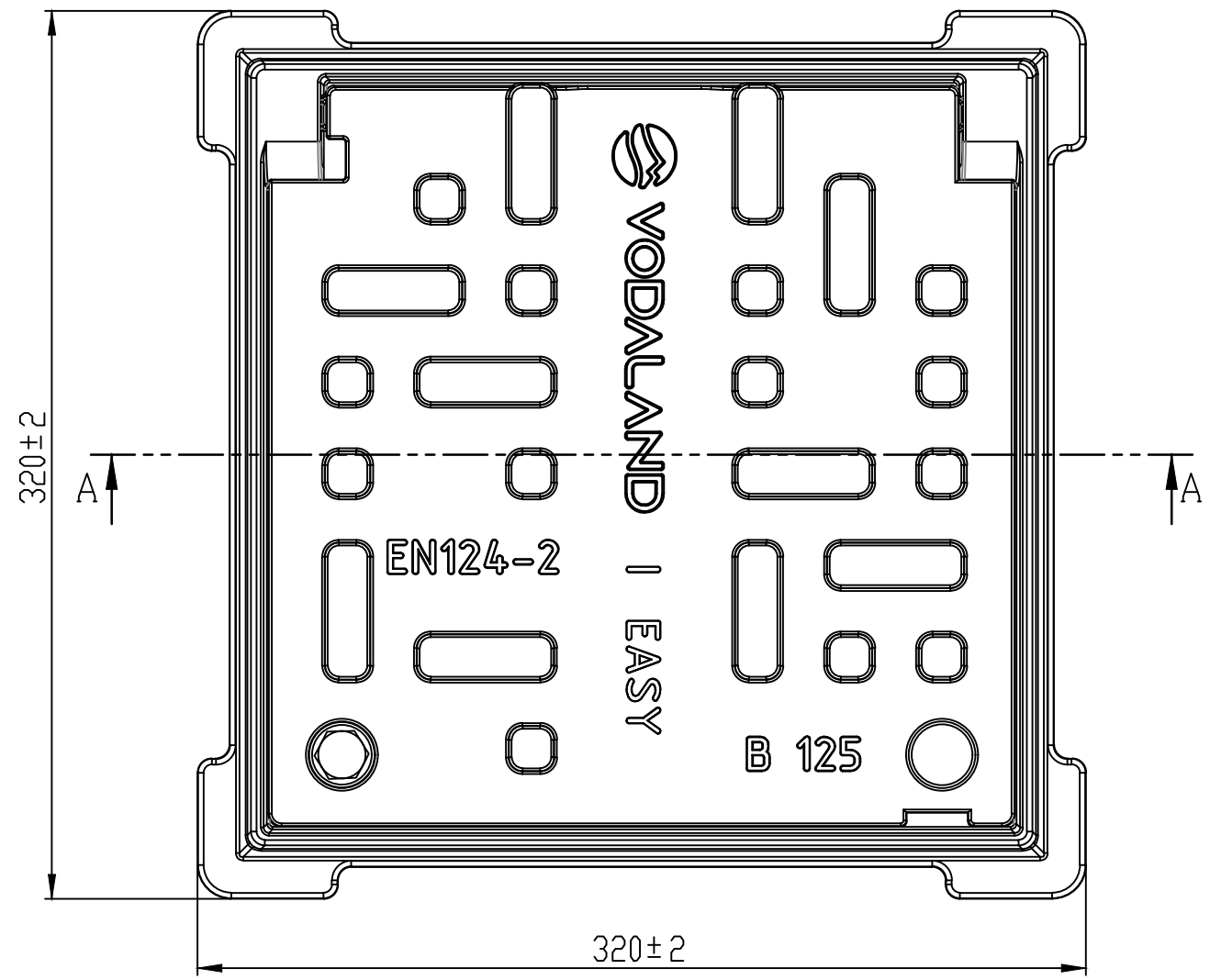
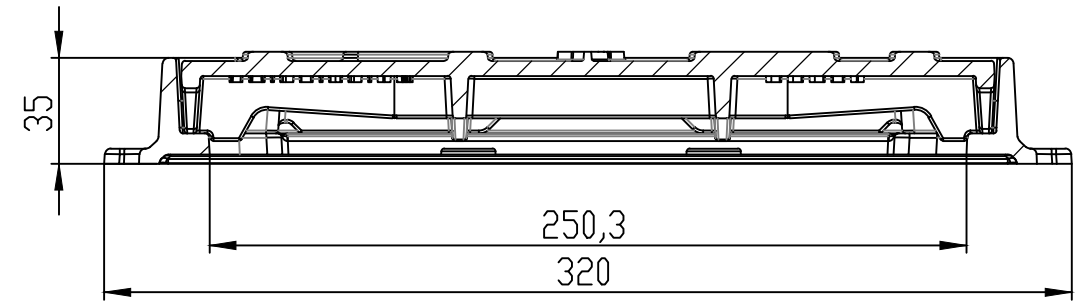
Repl. Inv. No.

Sign. and date

Orig. Inv. No.

LK-25.32.04-GG-F3.000

A-A
1 : 2.5



- 1. Deviation of the actual weight of the nominal can be up to 12%
- 2. The clear passage dimension is 250x250mm

					Cast Iron Cover URBBAN			Art. 35454/4-3		
Rev.	Sheet	Doc. No.	Sign.	Data	Load class B125			Let.	Weight (lb)	Scale
Dvlpd by		Prokopenko		30.04.2022					6.9	1:5
Chkd by		Dyka								
Tech. Ctrl		Kachanovskyy						Sheet 1		Sheets 1
Reg. Doc. Ctrl		Tsyurak			MATERIAL Ductile cast iron (GGG50)					
Aprvd by		Negru								

Copied by

Size A3