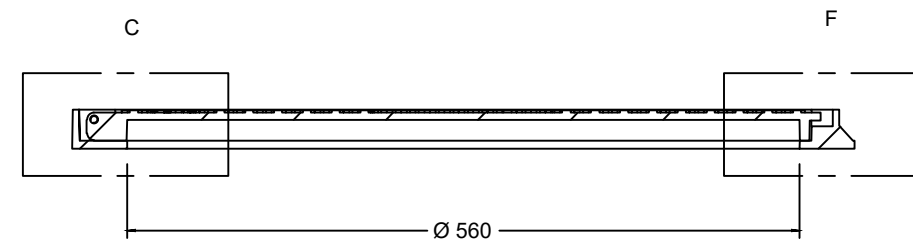
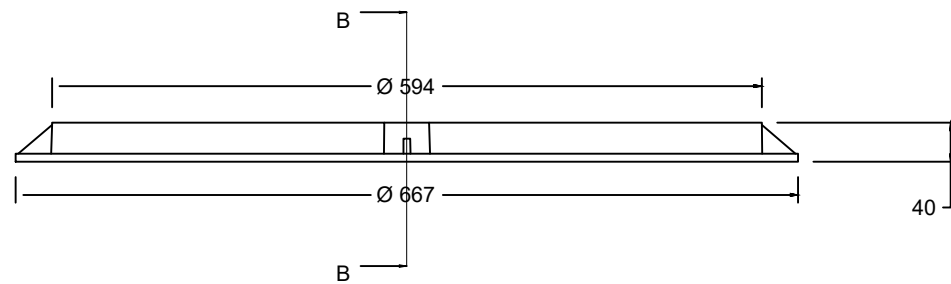


66594

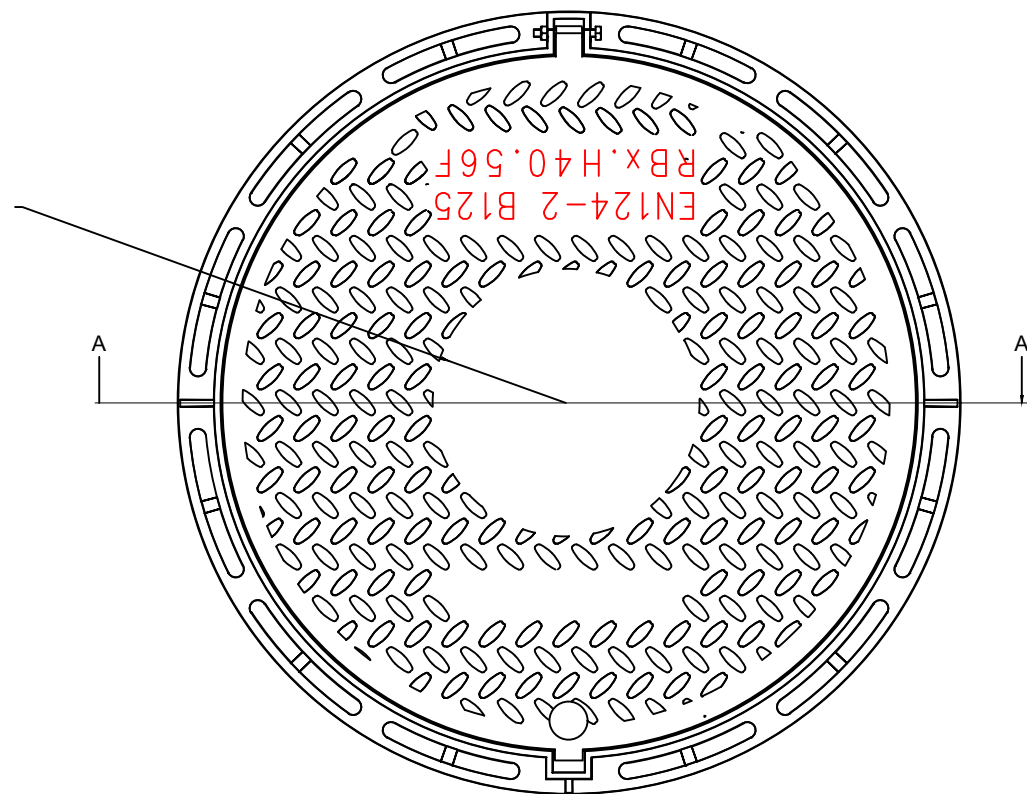
Primary Usage

Reference No.

Orig. Inv. Nb. Sign. and date Repl. Inv. No Copy inv. Nb. Sign. and date

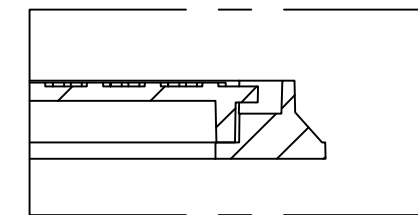
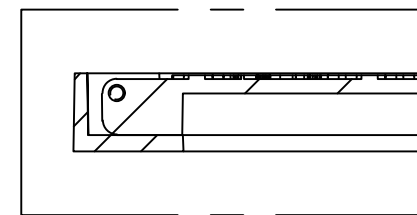


Sectiune B-B

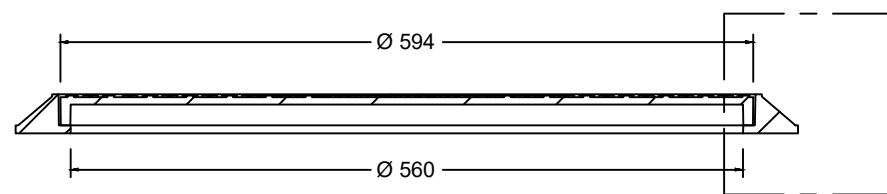


Detaliu C

Detaliu F

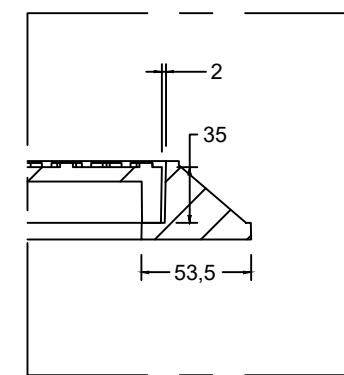


1:5



Sectiune A-A

E



Detaliu E

				Art. 66594		
				CAPAC FONTA URBAN		
				Let.		Scale
				20kg		1:4
				Sheet		Sheets 1
				Fonta		

**66594**  
B125

Fonta

Copied by

Size A3