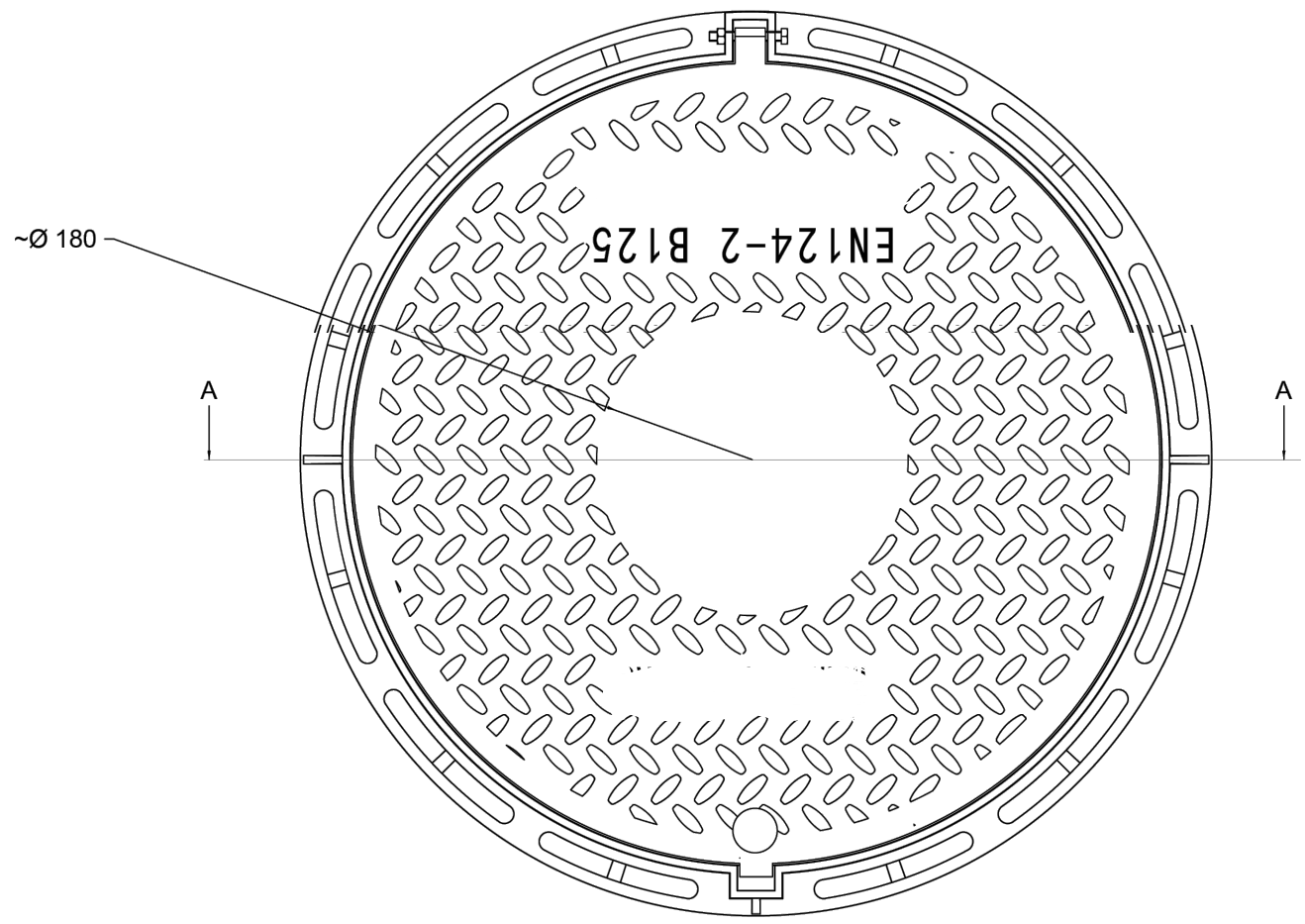
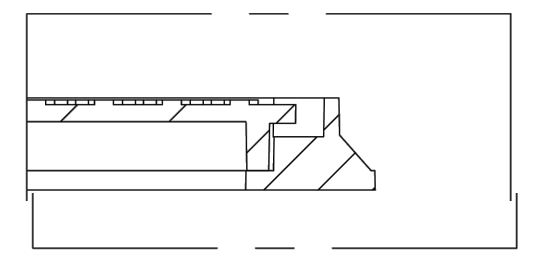
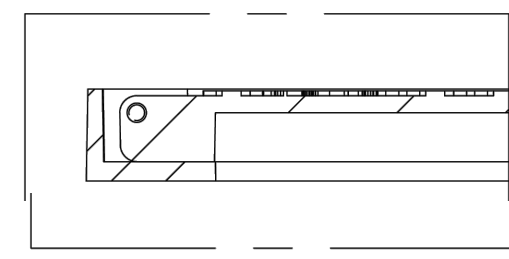


Sectiune B-B

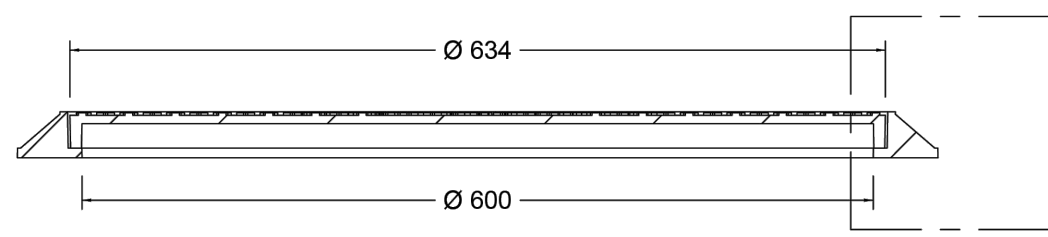
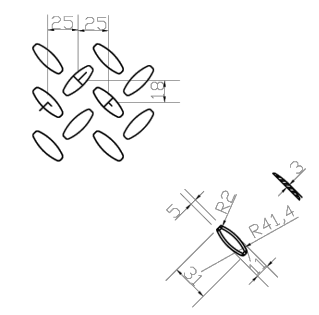


Detaliu C

Detaliu F

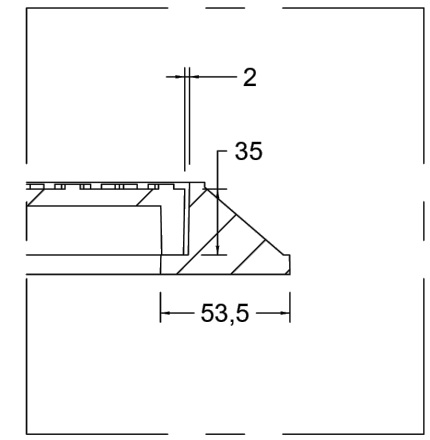


1:5



Sectiune A-A

E



Detaliu E

					Art. 706040B		
					Cover Ductile Cast Iron URBAN		
					Load class B125	Weight [kg]	Scale
Rev.	Pag.	Name	Sign.	Data		23.10	
Drawn				23.12.2021			
Chk'd							
Appv'd					Sheet 1	Sheets 1	
Mfg					Material		
					Ductile Cast Iron		