

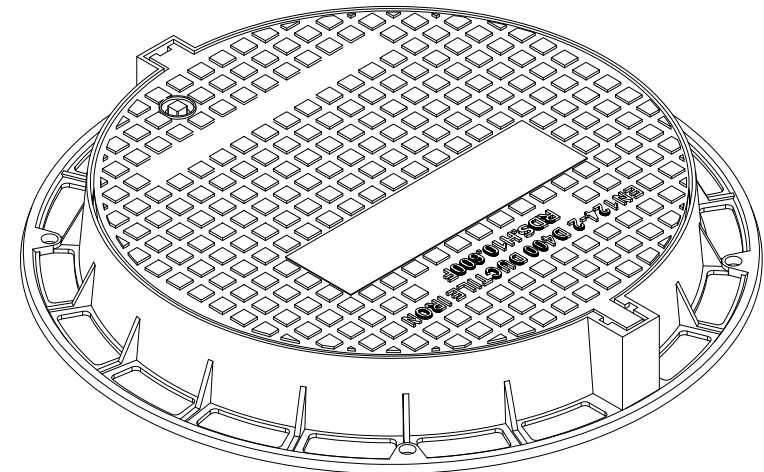
B-B ( 1:8 )

A-A ( 1:8 )

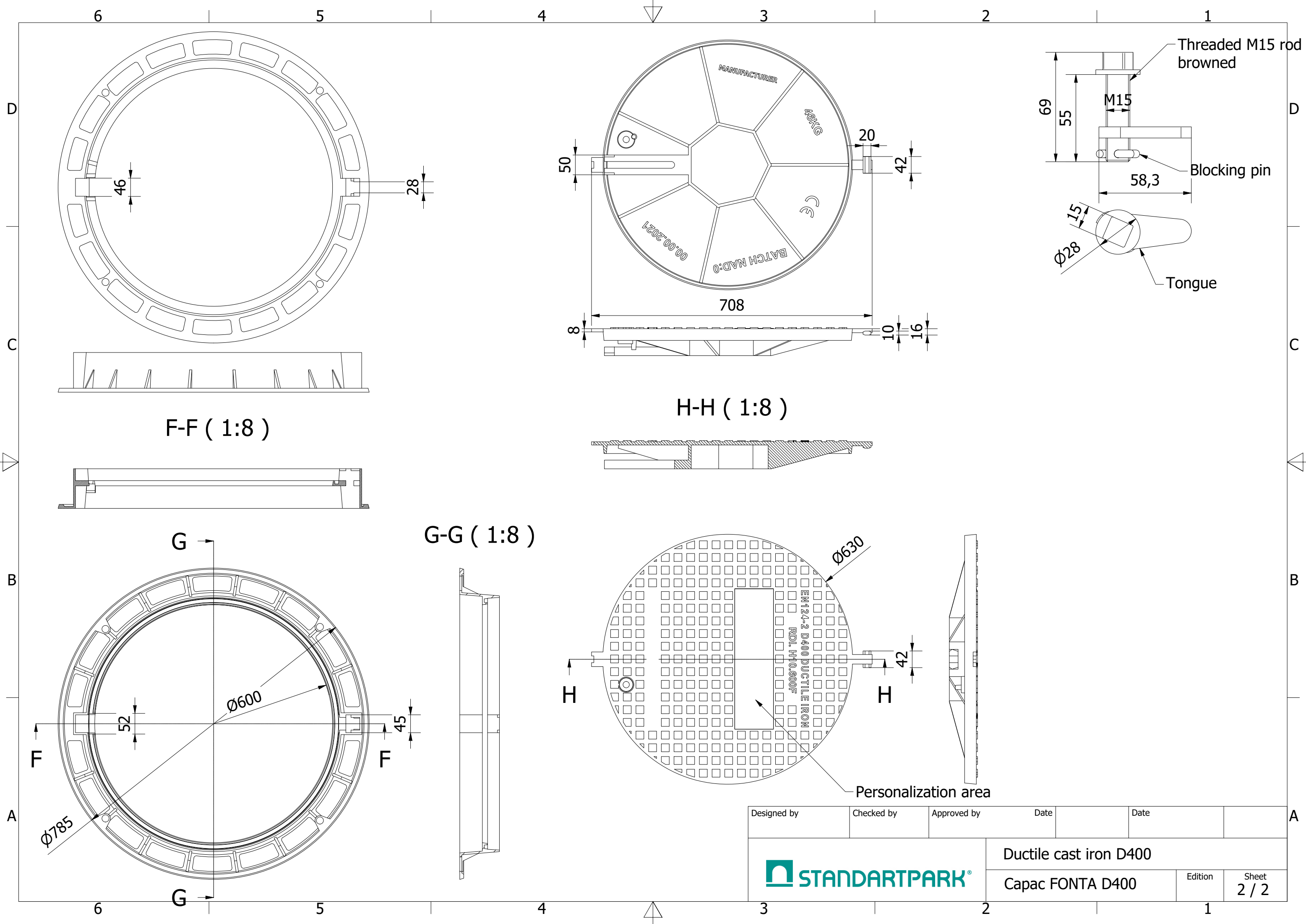
C-C ( 1:8 )

E-E ( 1:8 )

- Tehnickal conditions:
- cast iron
  - manufactured according to EN 124 requirements
  - D400 loading class (according to EN 124)
  - CP 600 mm
  - all parts deburred
  - painted with non toxic paint (black)
  -



Designed by	Checked by	Approved by	Date	Date	
			Ductile cast iron D400		
			Capac FONTA D400	Edition	Sheet
6	5	4	3	2	1



Designed by	Checked by	Approved by	Date	Date	
			Ductile cast iron D400		
Capac FONTA D400			Edition	Sheet 2 / 2	