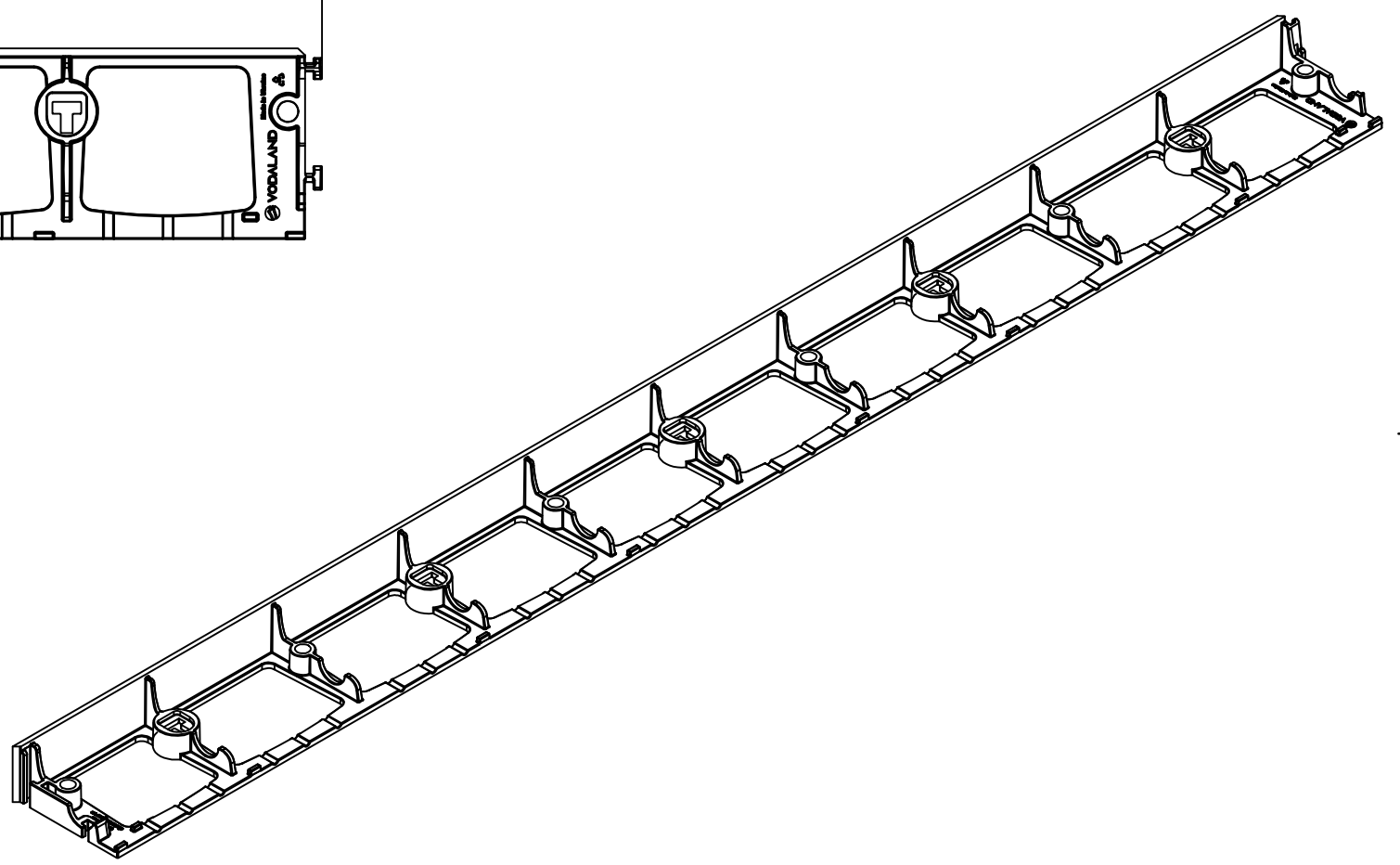
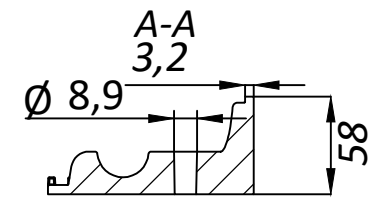
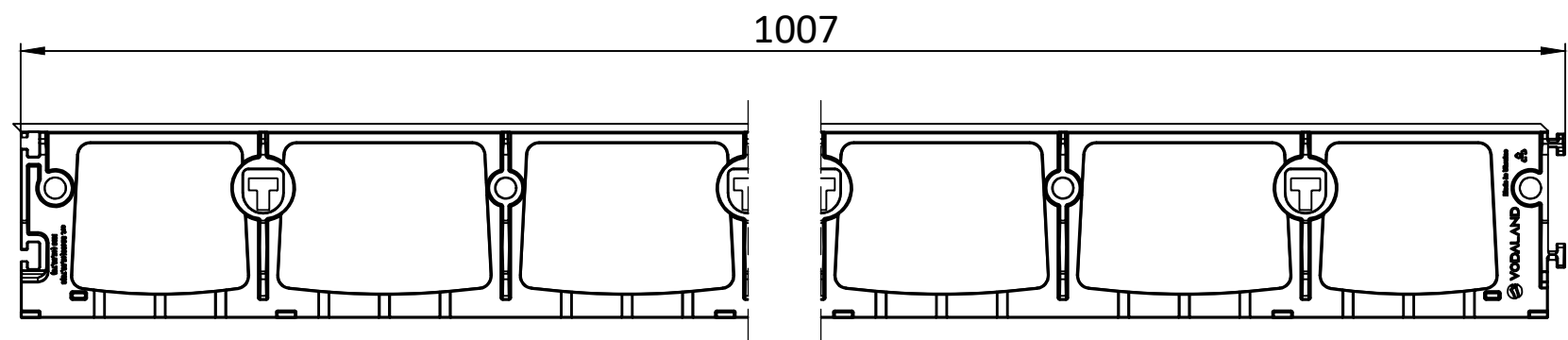
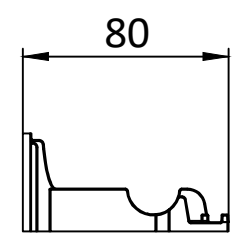
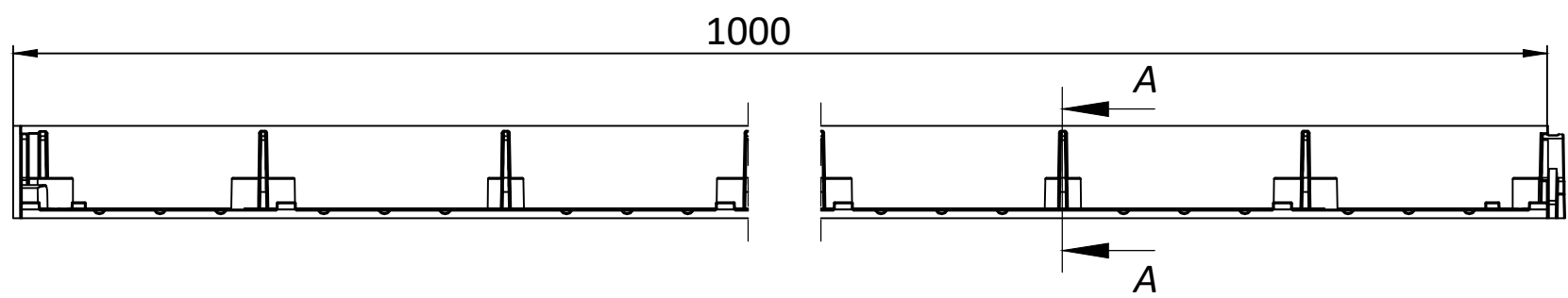


8 7 6 5 4 3 2

F
E
D
C
B
A



1. Deviation of the actual weight of the nominal can be up to 8%

UNLESS OTHERWISE SPECIFIED: DIMENSIONS ARE IN MILLIMETERS SURFACE FINISH: TOLERANCES: ISO 2768-c LINEAR: ANGULAR:				FINISH:		DO NOT SCALE DRAWING		REVISION	
DRAWN PSM				SIGNATURE		DATE 09.04.24		TITLE: Plastic landscape edging H58 L1000 green 4pcs, 12 anchors included	
CHK'D PMK									
APPV'D									
MFG									
Q.A						MATERIAL: Plastic		ARTICLE: 824588.12-4-V	
						WEIGHT: 0,300		SCALE:1:3	
								SHEET 1 OF 1	
								A3	

8 7 6 5 4 3 2