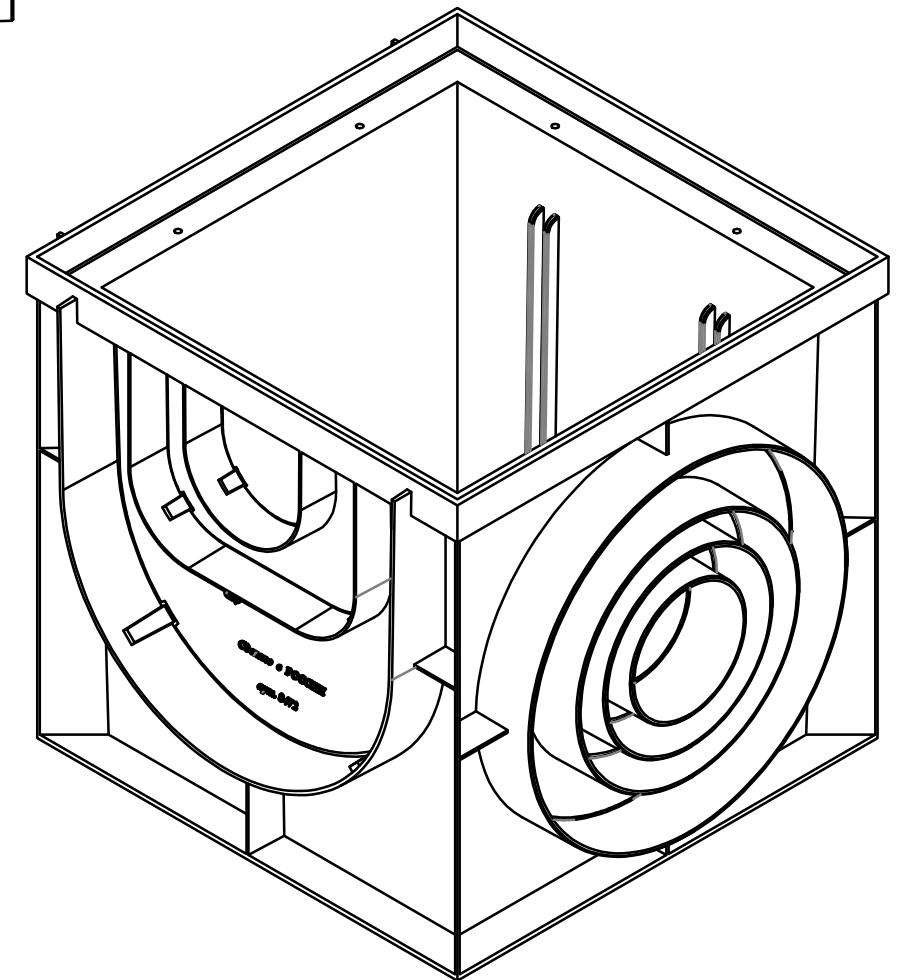
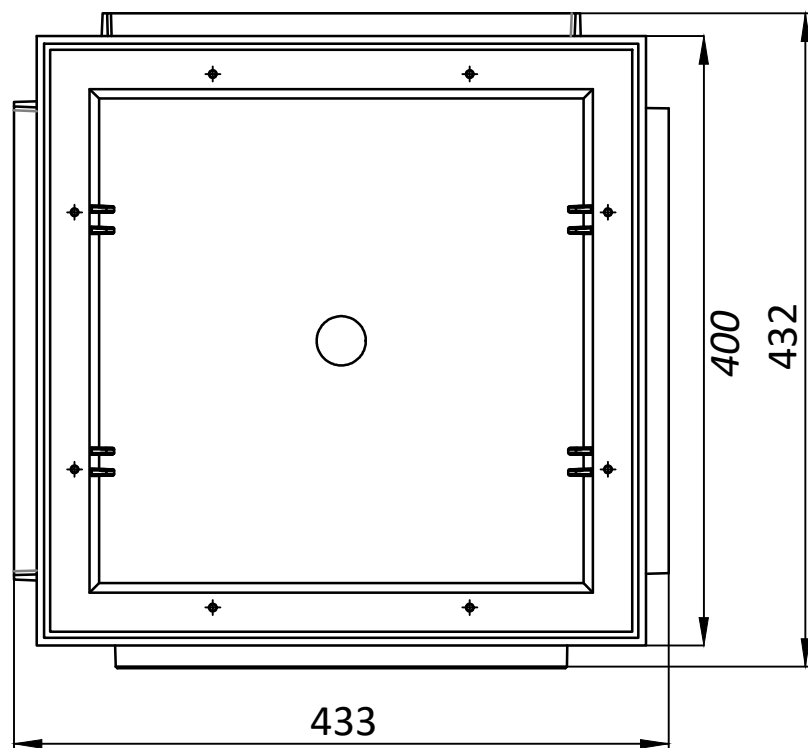
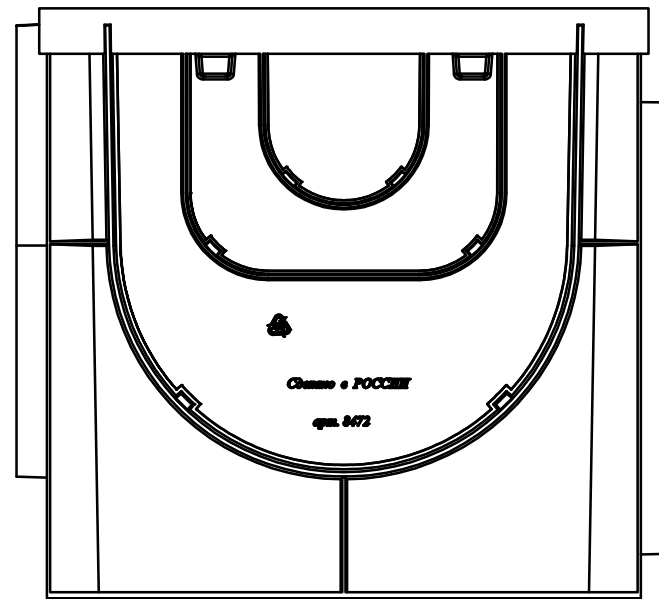
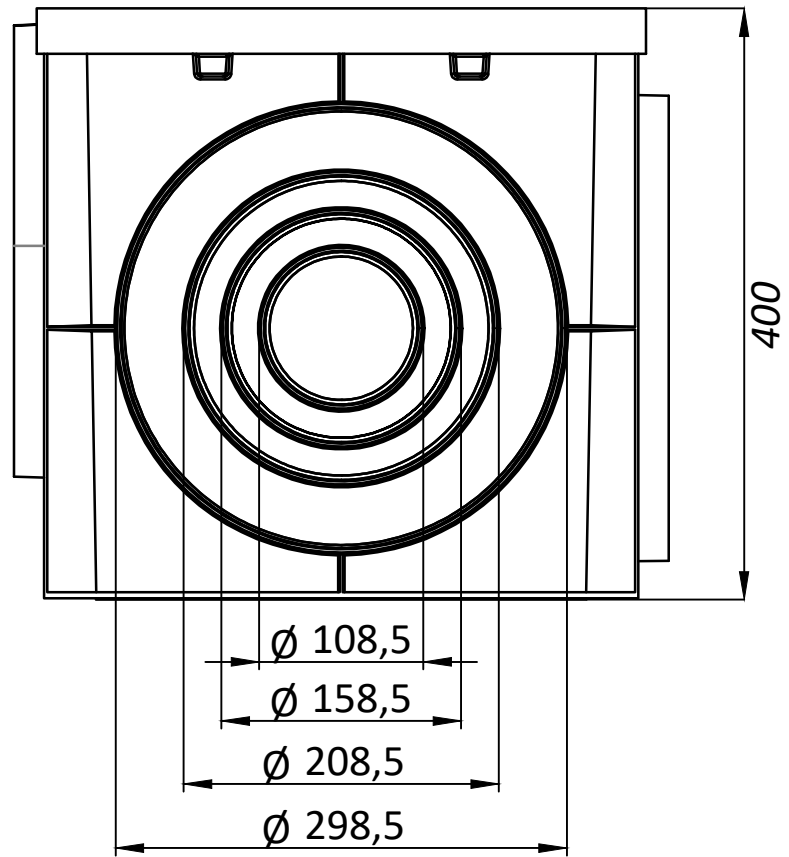



8472.1-N



					Art. 8472.1-N			
					Plastic Catch Basin			
Rev.	Sheet	Doc. No.	Sign.	Data	8472.1-N	Let.	Weight	Scale
				25.07.18			4.5	1:5
						Sheet	Sheets 1	
					Plastic			

Copied by

Size A3