

Kit 10 anchors

Primary Usage

Reference No.

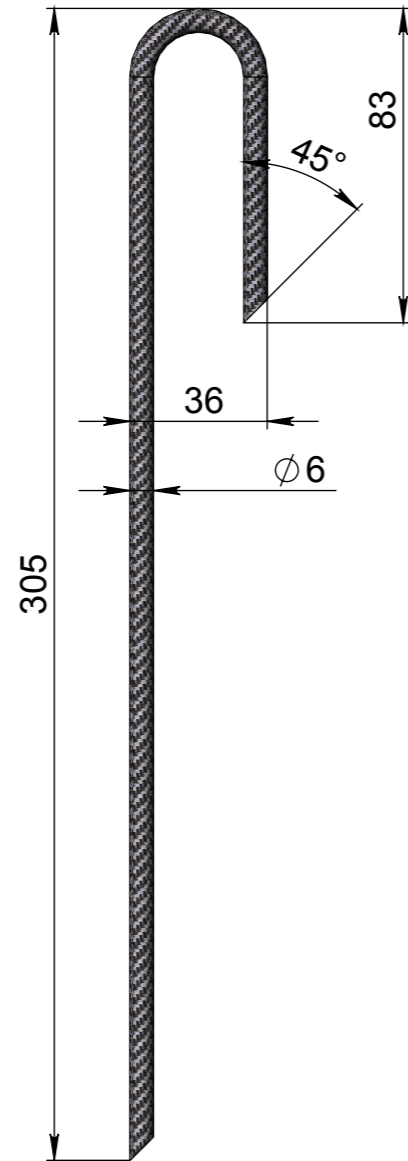
Sign. and date

Copy inv. No.

Repl. Inv. No.

Sign. and date

Orig. Inv. No.



- * - Dimensions for reference;
- Delivery and packaging are carried out in accordance with the terms of the contract
- The manufacturer reserves the right, without notice to the consumer, to make changes to the design of the products for improvement their technological and operational parameters, which will not affect the quality and properties of the product.

					Art. 1930			
					1930			
						Let.	Weight	Scale
Rev.	Sheet	Doc. No.	Sign.	Data	Anchor J shaped		0.10	1:2
				13.05.20				
							Sheet	Sheets 1
					Galvanized Steel			