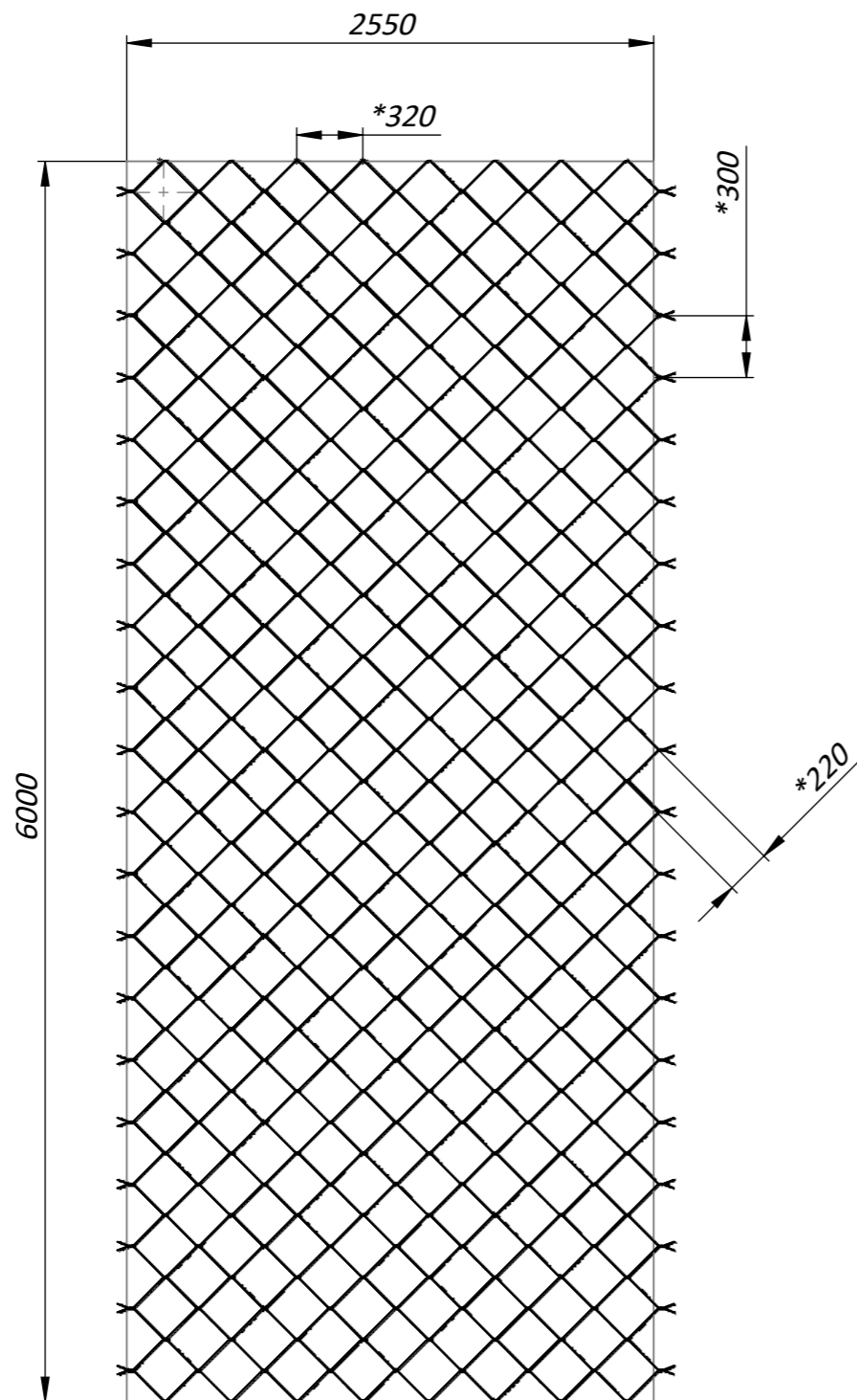
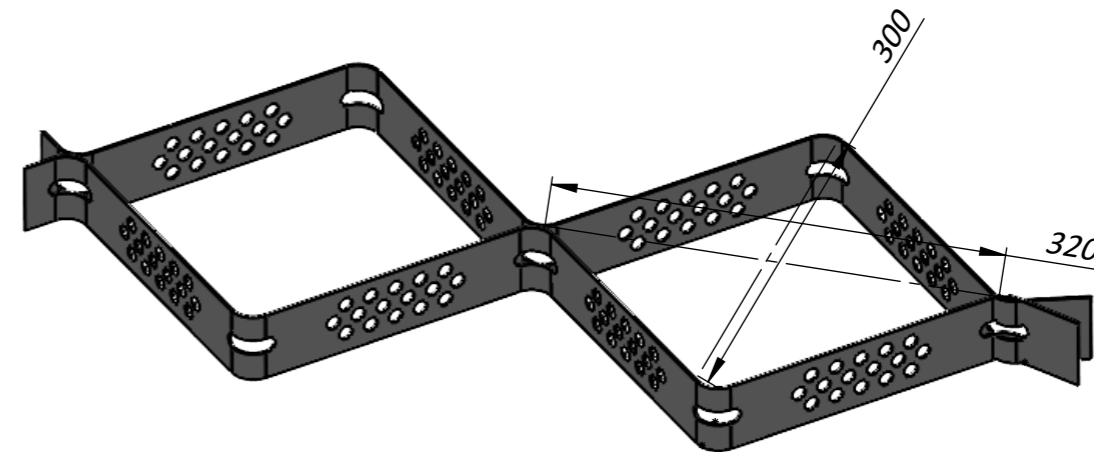


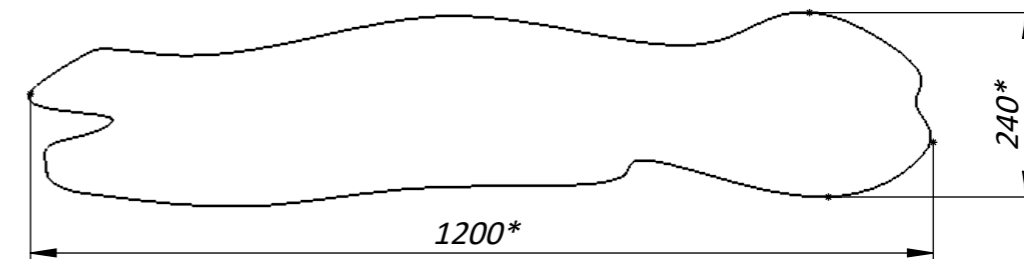
Top view of the mounted module



Isometric view of two cells



Top view of the packaged module in the transport position



1. * Size for reference.
2. H17 / h17 ISO 286-2: 2010
3. The strength of the module elements in any direction of the force not less than 0.5 kN according to ISO 13426-1.
4. Estimated installation area of the deployed module is 164sqf / 15.3 m².
5. Estimated area of commissions 0.516sqf / 0.04798 m².
6. Number of cells 293 pcs.
7. Strip thickness 0,059" / 1.5 ± 0.2mm.
8. The deviation of the actual mass from the nominal can be up to 12%.

UNLESS OTHERWISE SPECIFIED: DIMENSIONS ARE IN MILLIMETERS SURFACE FINISH: TOLERANCES: LINEAR: ANGULAR:		FINISH:	DEBURR AND BREAK SHARP EDGES	DO NOT SCALE DRAWING	REVISION	A-01
NAME	SIGNATURE	DATE		TITLE: Geocell 50mm		
DRAWN	m.kachanovskiy	2021-05-11				
CHK'D						
APPV'D		07.06.2021				
MFG						
Q.A			MATERIAL: HDPE	ARTICLE: 8750	A3	
			WEIGHT: 14,3 lb / 6,5 kg	SHEET 1 OF 1		

Kit 10 anchors

Primary Usage

Reference No.

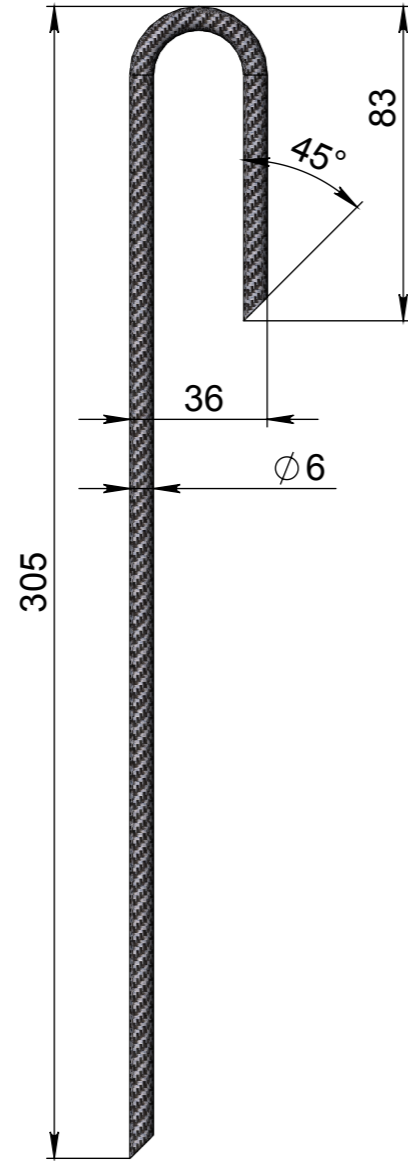
Sign. and date

Copy inv. No.

Repl. Inv. No.

Sign. and date

Orig. Inv. No.



- * - Dimensions for reference;
- Delivery and packaging are carried out in accordance with the terms of the contract
- The manufacturer reserves the right, without notice to the consumer, to make changes to the design of the products for improvement their technological and operational parameters, which will not affect the quality and properties of the product.

					Art. 1930			
					1930			
						Let.	Weight	Scale
Rev.	Sheet	Doc. No.	Sign.	Data	Anchor J shaped			
				13.05.20			0.10	1:2
					Sheet			
					Sheets 1			
					Galvanized Steel			