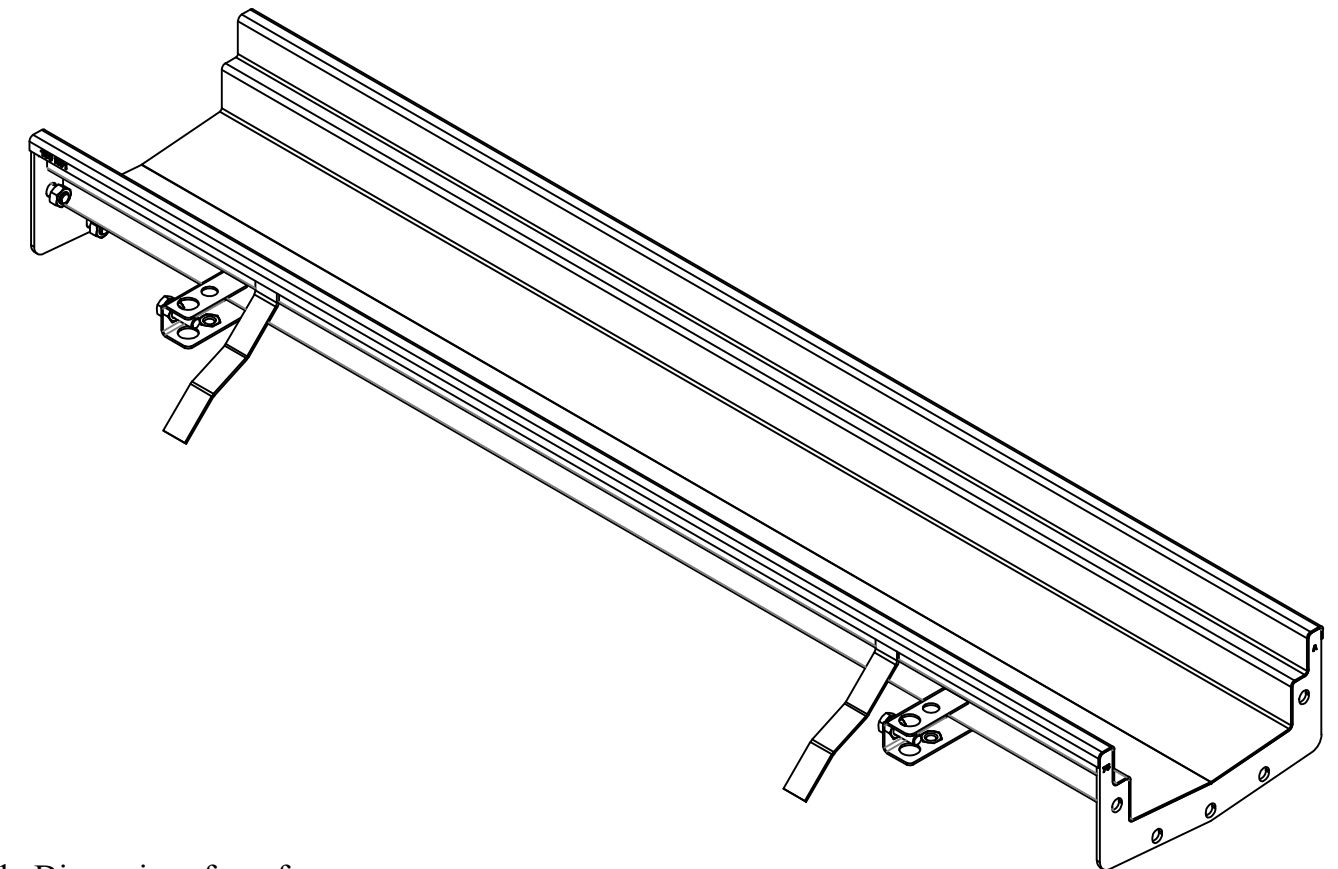



No.	Article	Name	Weight, kg	Material	H, mm
1	992821	Stainless Steel Drain Channel module system DN150 No.01	5.18	Stainless Steel (AISI 304)	75
2	992822	Stainless Steel Drain Channel module system DN150 No.02	5.26	Stainless Steel (AISI 304)	80
3	992823	Stainless Steel Drain Channel module system DN150 No.03	5.35	Stainless Steel (AISI 304)	85
4	992824	Stainless Steel Drain Channel module system DN150 No.04	5.66	Stainless Steel (AISI 304)	90
5	992825	Stainless Steel Drain Channel module system DN150 No.05	5.74	Stainless Steel (AISI 304)	95
6	992826	Stainless Steel Drain Channel module system DN150 No.06	5.82	Stainless Steel (AISI 304)	100
7	992827	Stainless Steel Drain Channel module system DN150 No.07	5.91	Stainless Steel (AISI 304)	105
8	992828	Stainless Steel Drain Channel module system DN150 No.08	6.19	Stainless Steel (AISI 304)	110
9	992829	Stainless Steel Drain Channel module system DN150 No.09	6.27	Stainless Steel (AISI 304)	115
10	992830	Stainless Steel Drain Channel module system DN150 No.10	6.36	Stainless Steel (AISI 304)	120
11	992831	Stainless Steel Drain Channel module system DN150 No.11	6.44	Stainless Steel (AISI 304)	125
12	992832	Stainless Steel Drain Channel module system DN150 No.12	6.72	Stainless Steel (AISI 304)	130
13	992833	Stainless Steel Drain Channel module system DN150 No.13	6.80	Stainless Steel (AISI 304)	135
14	992834	Stainless Steel Drain Channel module system DN150 No.14	6.89	Stainless Steel (AISI 304)	140
15	992835	Stainless Steel Drain Channel module system DN150 No.15	6.97	Stainless Steel (AISI 304)	145



1. Dimensions for reference
2. Delivery and packaging are carried out in accordance with the terms of the contract
3. The manufacturer reserves the right, without notice to the consumer, to make changes to the design of the products for improvement of their technological and operational parameters, which will not affect the quality and properties of the product.

UNLESS OTHERWISE SPECIFIED, DIMENSIONS ARE IN MILLIMETERS				FINISH: Passivation			
SURFACE FINISH: TOLERANCES: ISO 2768-m							
LINEAR: ANGULAR:						TITLE: Stainless Steel Drain Channel module system DN150 No.01	
DRAWN	NAME: Karetin	SIGNATURE	DATE: 21.08.22			ARTICLE: 992822	
CHK'D	Halushka					A3	
APPV'D							
MFG							
Q.A				MATERIAL: Stainless Steel (AISI 304)			
				WEIGHT: 5.18 kg		SCALE: 1:100	
						SHEET 1 OF 1	