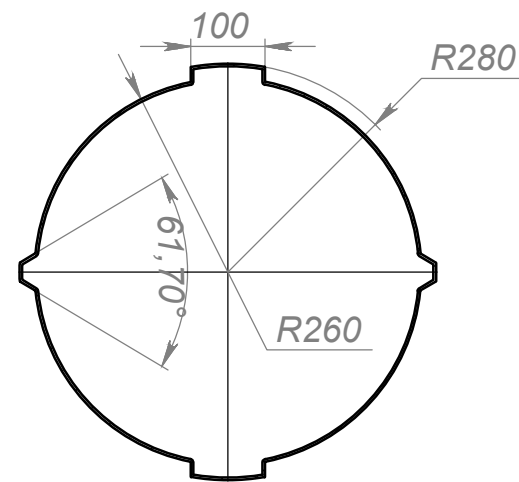
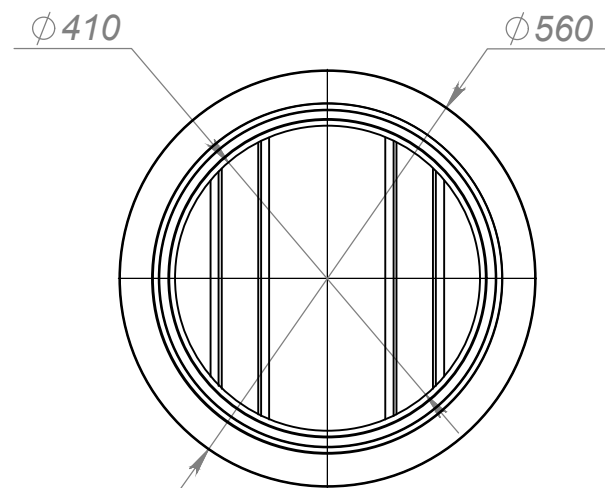
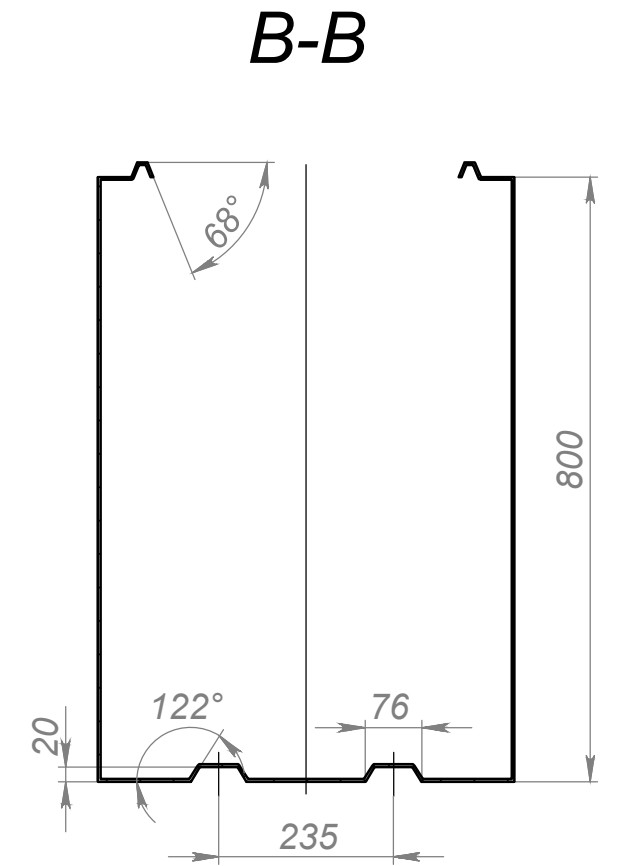
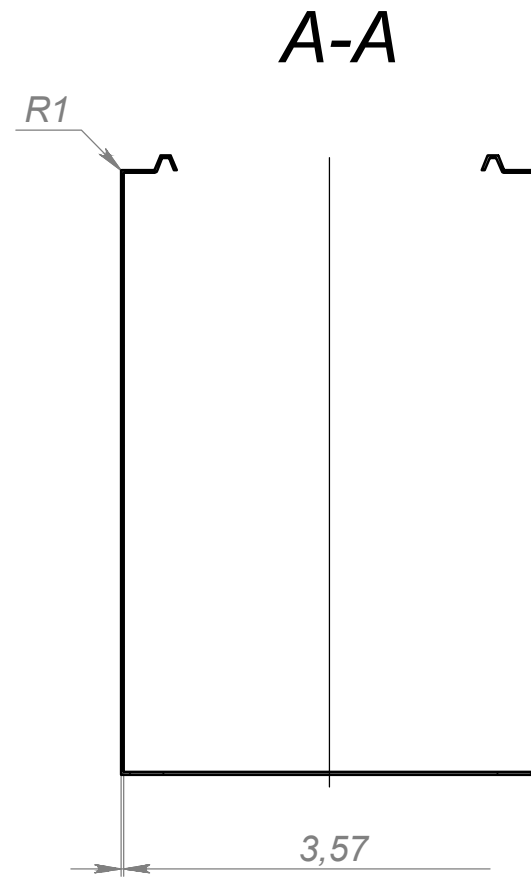
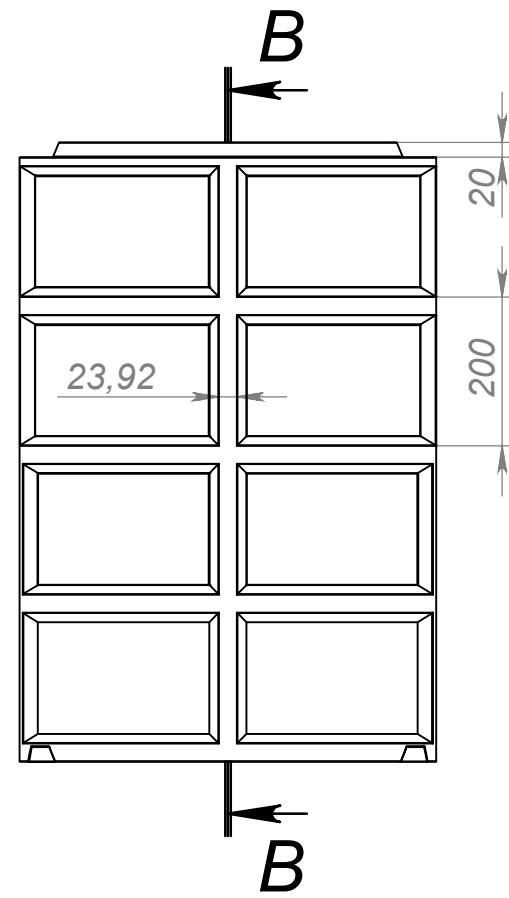
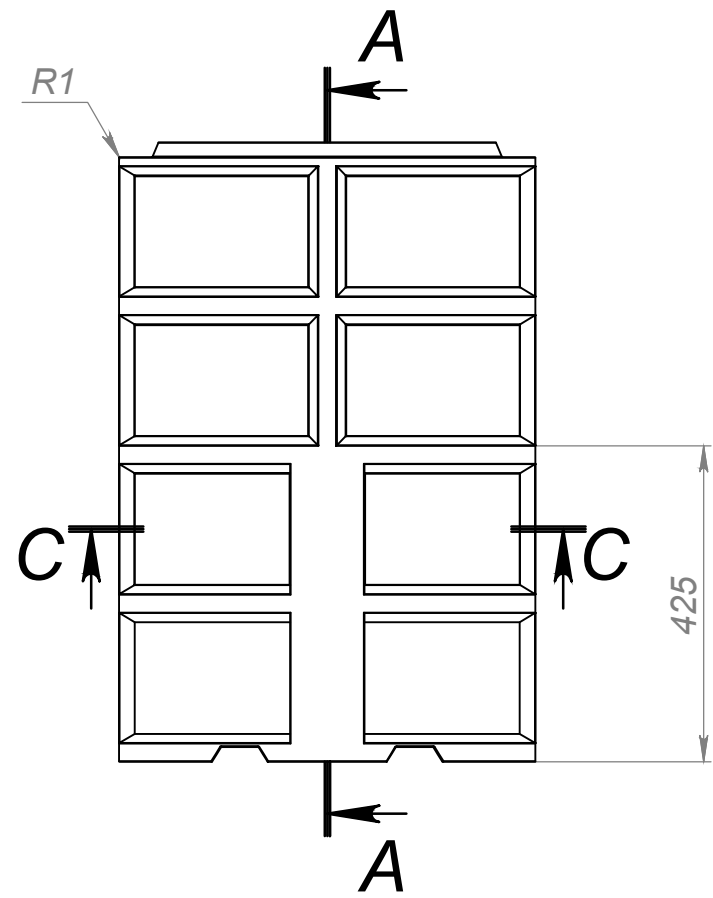


CA560880



C-C

Rev.	Sheet	Doc No.	Sign.	Date
Dvlpd by		Прокопчук В		
Chkd by		Касап А		
Verified		Орищин Ю		
Contact		tehnic@vodaland.ro		

Camin apometru PE

CA560880

Polietilena (PE)

Let	Weight	Scale
	6.5	1:10
Sheets		Sheet 1

