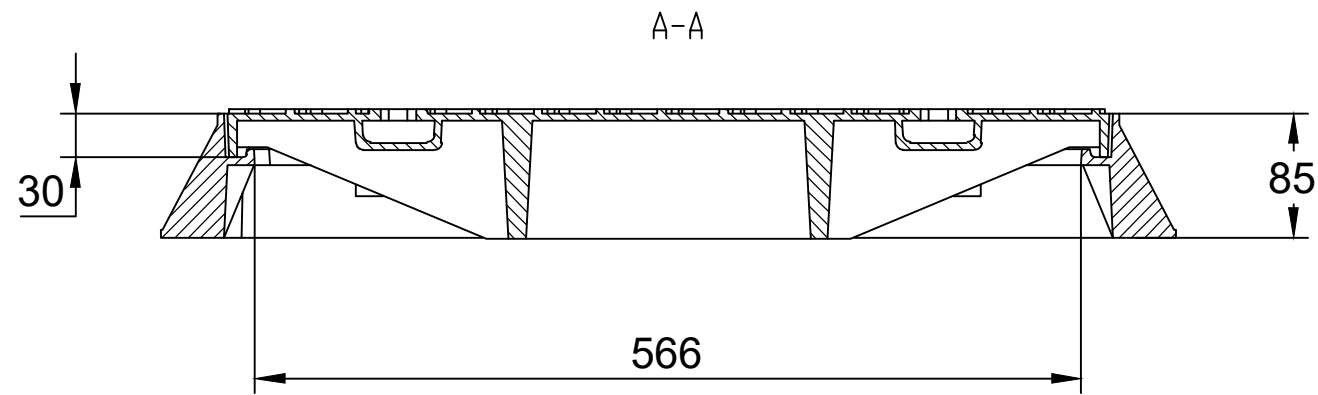
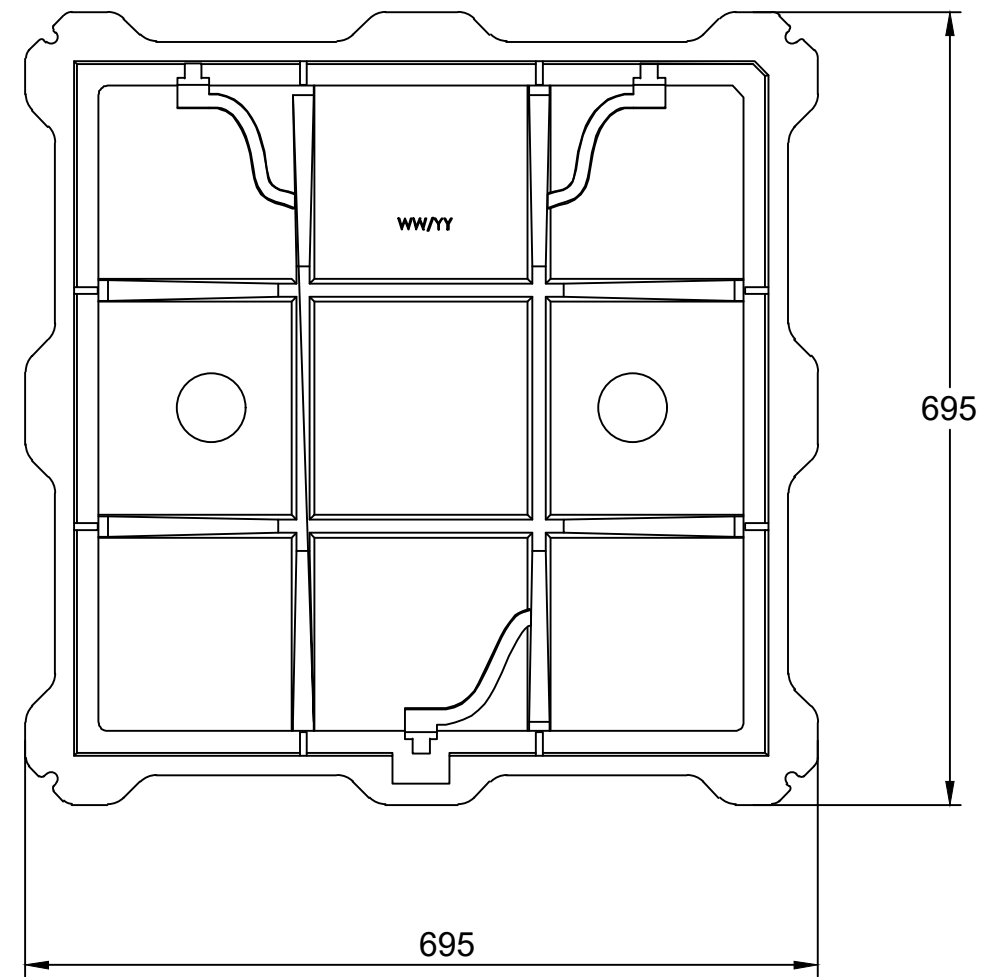
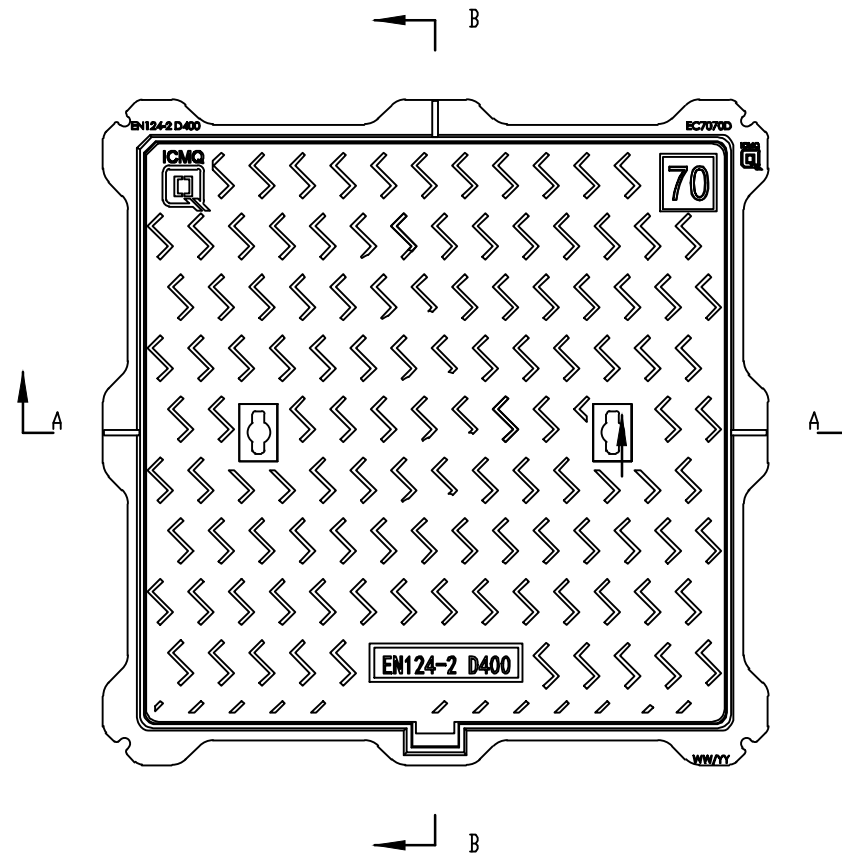
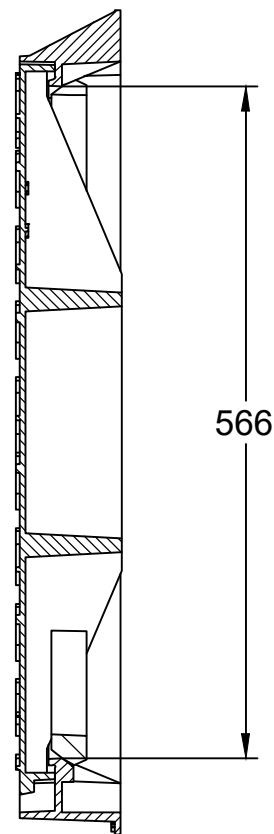


Utilizare primara
 Nr. de referinta
 Orig. Inv. NdSemnatura si data
 Repl. Inv. NdCopy inv. NoSemnatura si data



B-B



				Art.	EC7070D	
				Cover Cast Iron URBAN		
				Let.	Weight.[Kg]	Scale
					50.8	1:5
				Sheet 1	Sheets 1	
				Material		
				Cast Iron		
				Size A3		

	Name	Signature	Date
DRAWN	Leo Li		09.03.2021
CHK'D	Thomas Qin		
APPV'D	Tsyurak		
Modif.	Larisa Chitu		

Cover Cast Iron URBAN

Load class: D400

Material
 Cast Iron

Let.	Weight.[Kg]	Scale
	50.8	1:5
Sheet 1	Sheets 1	

